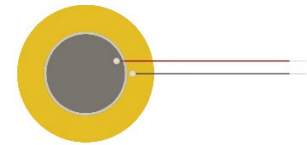




PUIaudio



Data Sheet

AB4122B-LW50

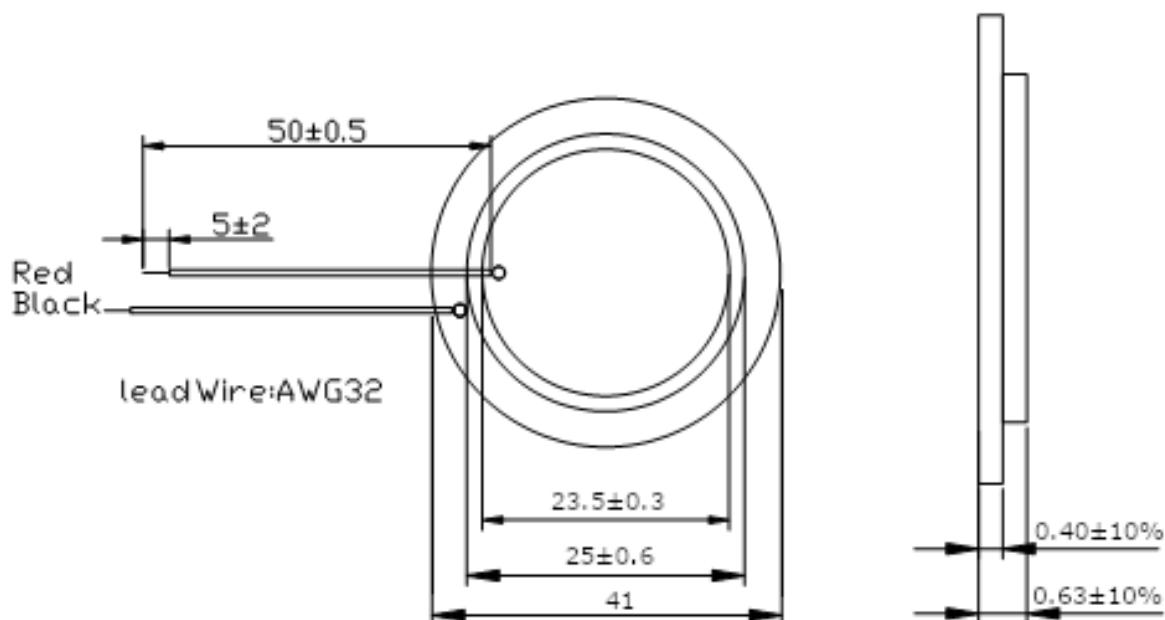
Features:

- Ultrathin and lightweight 41mm bender
- 2,200 Hz resonant frequency
- 50mm lead wires for easy installation

Specifications

Parameters	Values	Units
Resonant Frequency	2,200 ± 300	Hz
Resonant Impedance (Max)	250	Ohms
Max Input Voltage	30	Vp-p
Capacitance (@ 120 Hz)	30,000 ± 30%	pF
Plate Material	Brass	-
Storage Temperature	-30 ~ 80	°C
Operating Temperature	-20 ~ 70	°C
Environmental Compliances	RoHS/REACH	Exempt. 7c-1

Dimensions



Packaging

50pcs/bag, paper box packaging

Specifications Revisions

Revision	Description	Date	Approved
A	Released from Engineering	3/6/2024	JD

Note:

1. Unless otherwise specified:
 - A. All dimensions are in millimeters.
 - B. Default tolerances are $\pm 0.5\text{mm}$ and angles are $\pm 3^\circ$.
2. Specifications subject to change or withdrawal without notice.