



PUI audio



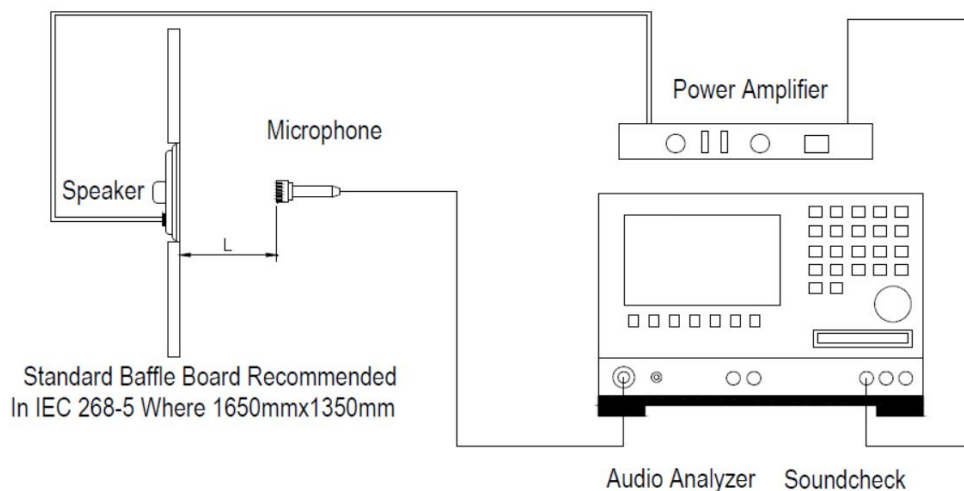
Data Sheet

AS04008PS-4W-R

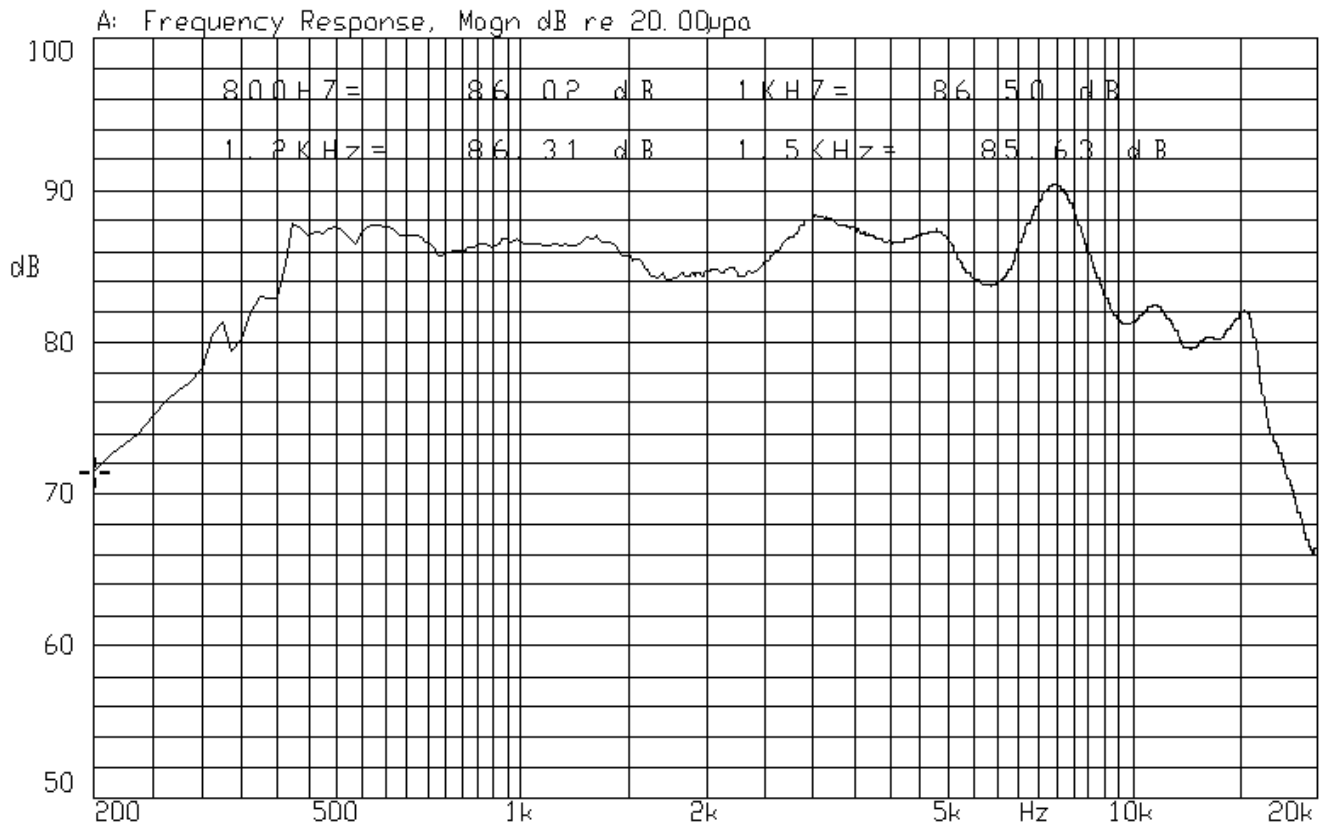
Specifications

Parameters	Values	Units
Rated Input Power	2.0	Watts
Max Input Power	4.0	Watts
Impedance	8 ± 15%	Ohms
Output SPL (Avg. @ 0.8, 1.0, 1.2, 1.5kHz; 1W/50cm)	84 ± 3	dB
Resonant Frequency	380 ± 20%	Hz
Frequency Range	200 ~ 20,000	Hz
THD	<5%	-
Diaphragm Material	Mylar	-
Magnet Material	NdFeB	-
Frame Material	Metal	-
Weight	13	Grams
Environmental Compliances	ROHS/REACH	-
Storage Temperature	-30 ~ 60	°C
Operating Temperature	-20 ~ 60	°C

Measurement Method (1W, L=50cm)



Typical Frequency Response (1W, 50cm)

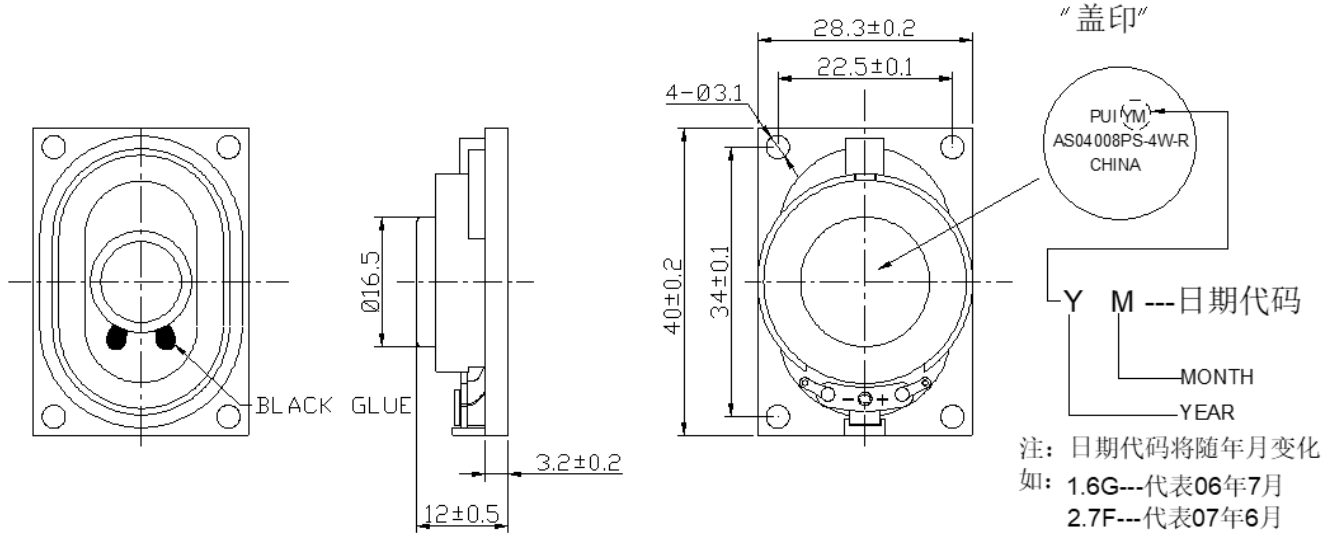


Reliability Testing

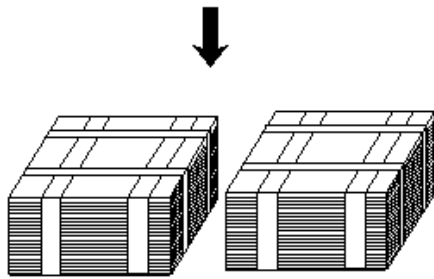
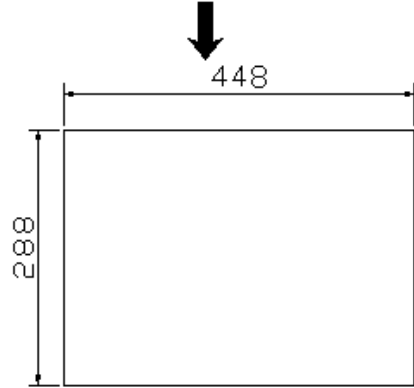
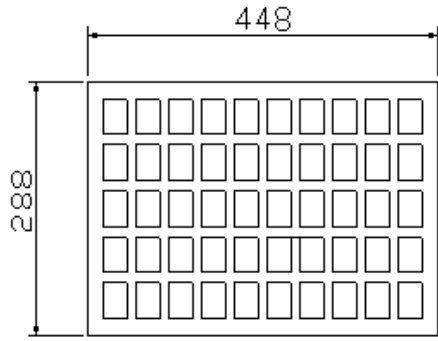
Type of Test	Test Specifications
High Temperature Test	96 hours at 60°C
Low Temperature Test	96 hours at -30°C
Humidity Test	96 hours at 40°C, 95% RH
Temperature Humidity Cycle Testing	Run for 5 cycles with each cycle consisting of: -30C for 1 hour, 60C for 1 hour
Vibration Test	10-55-10Hz Sine-Wave Sweep 15min. 5G (constant) X/Y/Z direction, 2 hours each, total 6 hours.
Life Test	White-Noise at rated power for 96 hours.
Drop Test	Free drop a unit from 100cm height to 220mm thick board in X/Y/Z direction 2 times each, total 6 times

After each test the part shall be within ±3dB of initial SPL.

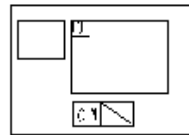
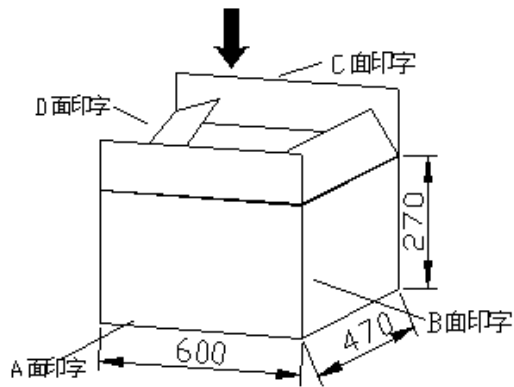
Dimensions



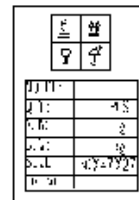
Packaging



- 1、纸板: 1只/500PCS (448*288*7) ,
- 2、带海绵的纸板: 50PCS/盒 (448*288*21) ,
- 3、纸箱000PCS/箱 (600*470*270)



AC面印字



B.D面印字

Specifications Revisions

Revision	Description	Date
-	Released from Engineering	9/25/2006
A	Revised to Inventor 3D Template	12/31/2008

Note:

1. Unless otherwise specified:
 - A. All dimensions are in millimeters.
 - B. Default tolerances are $\pm 0.5\text{mm}$ and angles are $\pm 3^\circ$.
2. Specifications subject to change or withdrawal without notice.