



PUI audio



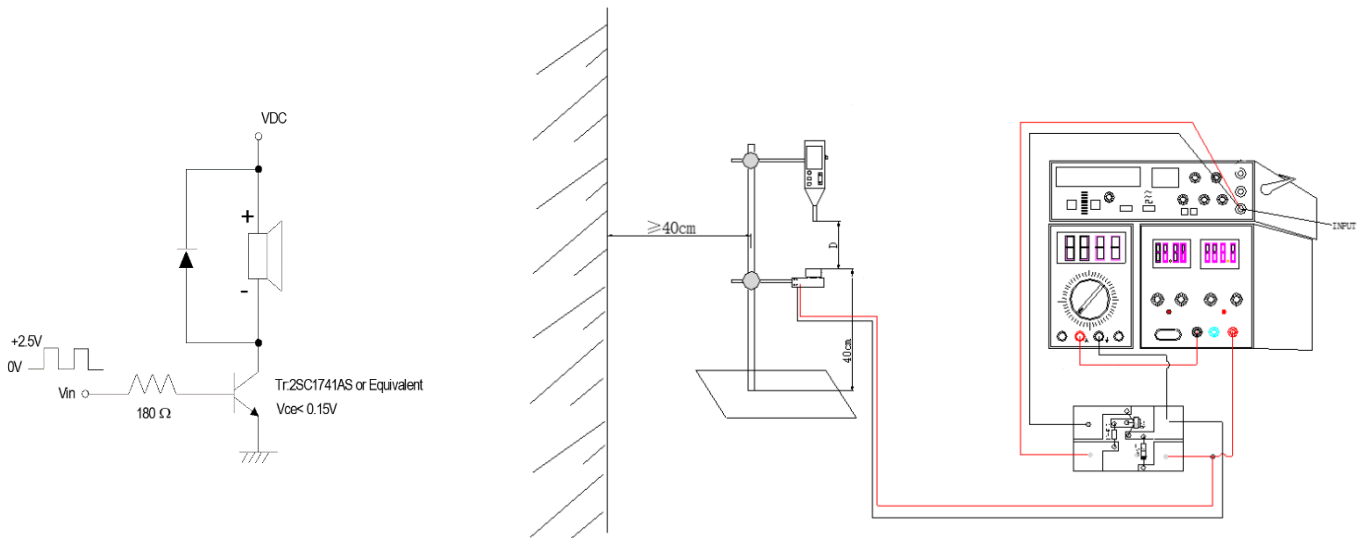
Data Sheet	SMT-1028-S-2-R
------------	----------------

Specifications

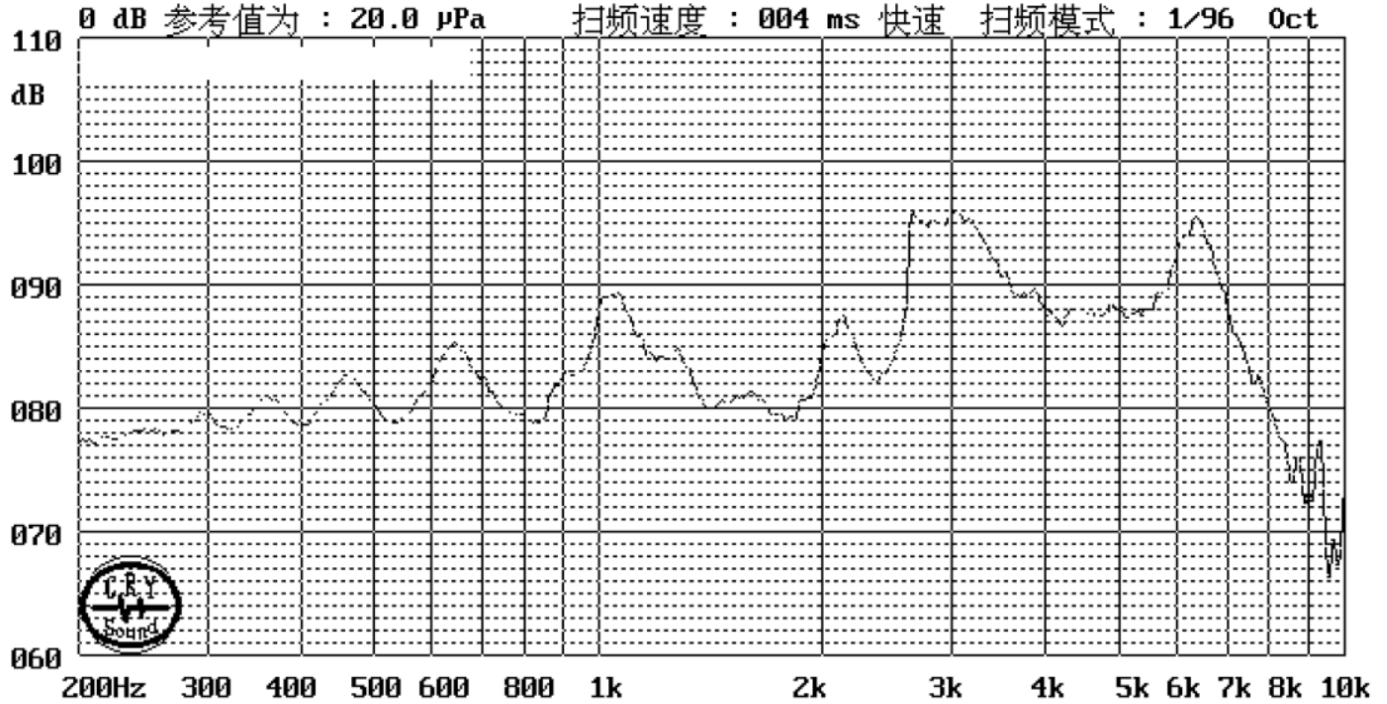
Parameters	Values	Units
Rated Voltage	3.6	V0-p
Operating Voltage Range	3 ~ 4.5	V0-p
Current Draw at Rated Voltage	100	mA
Coil Resistance	18 ± 5	Ohms
Minimum SPL @ 10cm	93	dBA
Resonant Frequency	2830 ± 500	Hz
Housing Material	LCP	-
Terminal Material	Au Plated Brass	-
Moisture Sensitivity Level(MSL)	Not Required	-
Weight	0.8	Grams
Acceptable Soldering Methods	Manual/Reflow	See following pages for details
Environmental Compliances	RoHS/REACH	-
Storage Temperature	-40 ~ +85	°C
Operating Temperature	-40 ~ +85	°C

Measurement Method

Standard Test Fixture (Distance: 10cm, 3.6V0-p, 2830Hz square wave)



Typical Frequency Response (3.6V0-p @ 10cm)

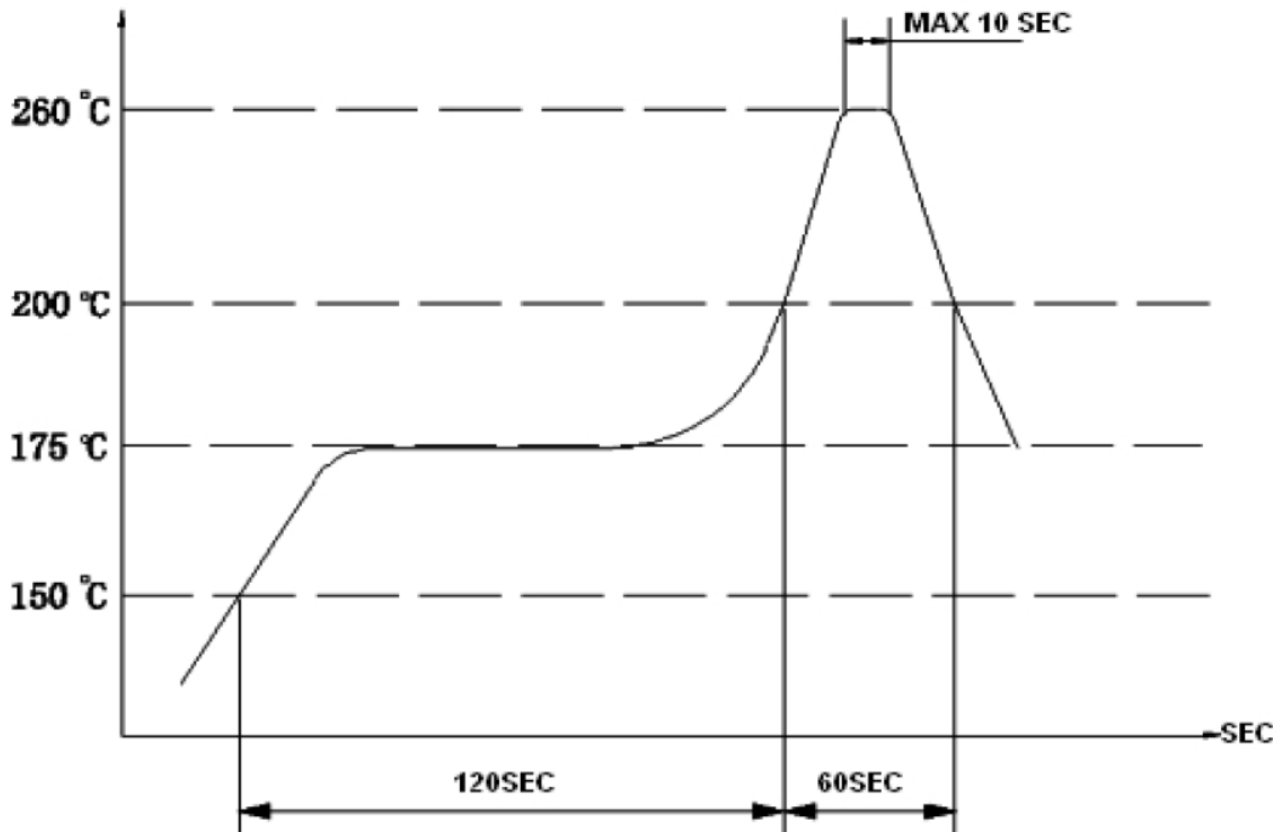


Reliability Testing

Type of Test	Test Specifications
High Temperature Test	96 hours at 85°C without applying power. Expose for 2 hours at room temp.
Low Temperature Test	96 hours at -40°C without applying power.
Humidity Test	96 hours at 40°C with relative humidity at 90-95% without applying power. Expose for 2 hours at room temp.
Temperature Cycle Testing	Test 5 cycles as shown below.
Vibration Test	Amplitude: 1.5mm Time : 1min/axis
Drop Test	Free drop from 75cm height to 4cm thick board in from any direction, 6 times.

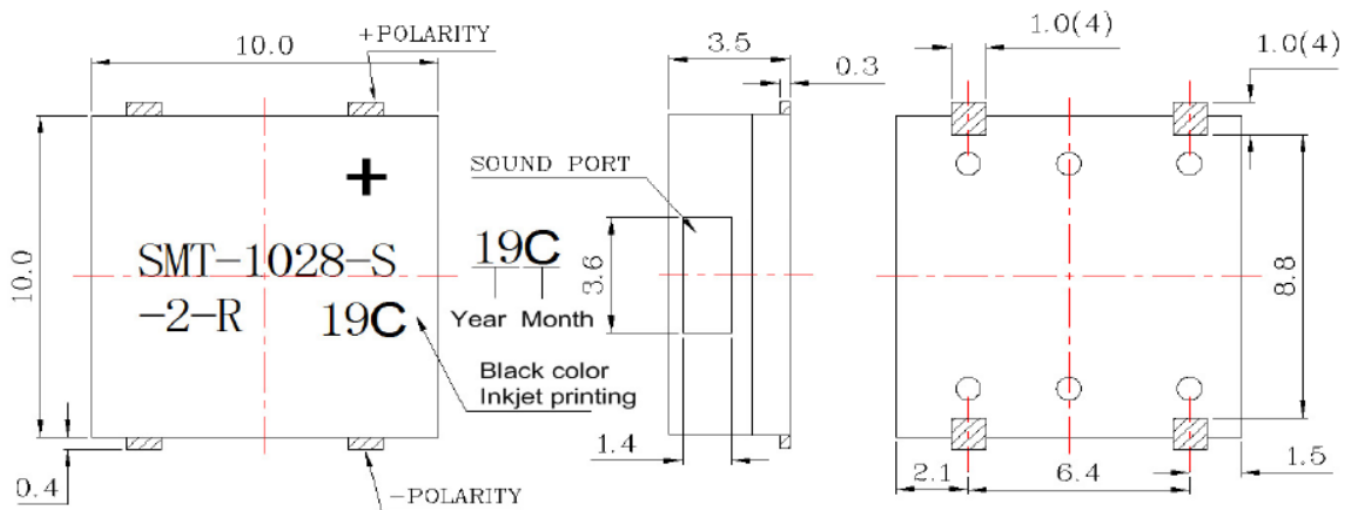
After tests, part shall measure within ± 10 dB.

Suggested Reflow TEMPERATURE

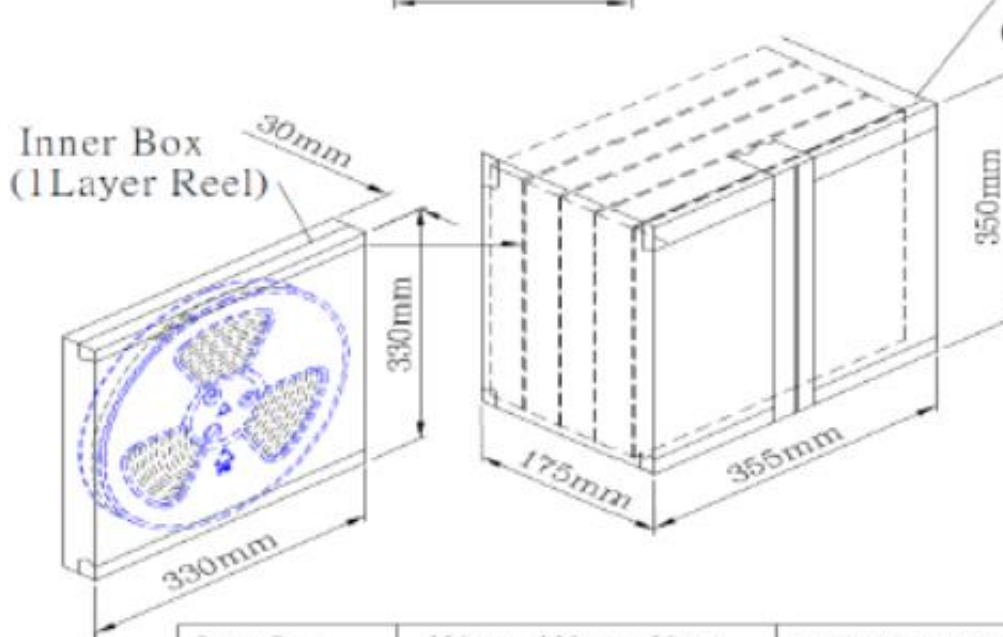
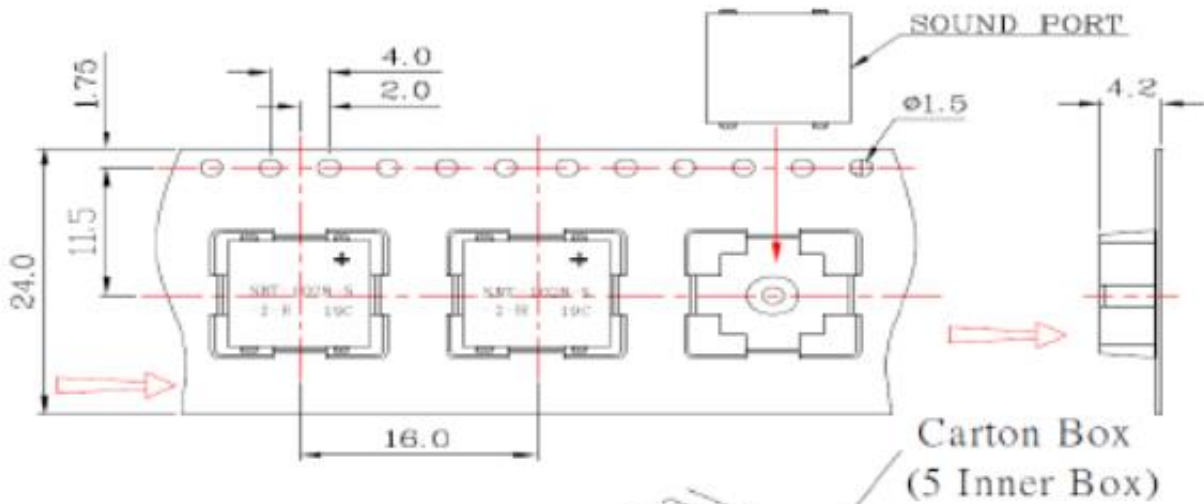
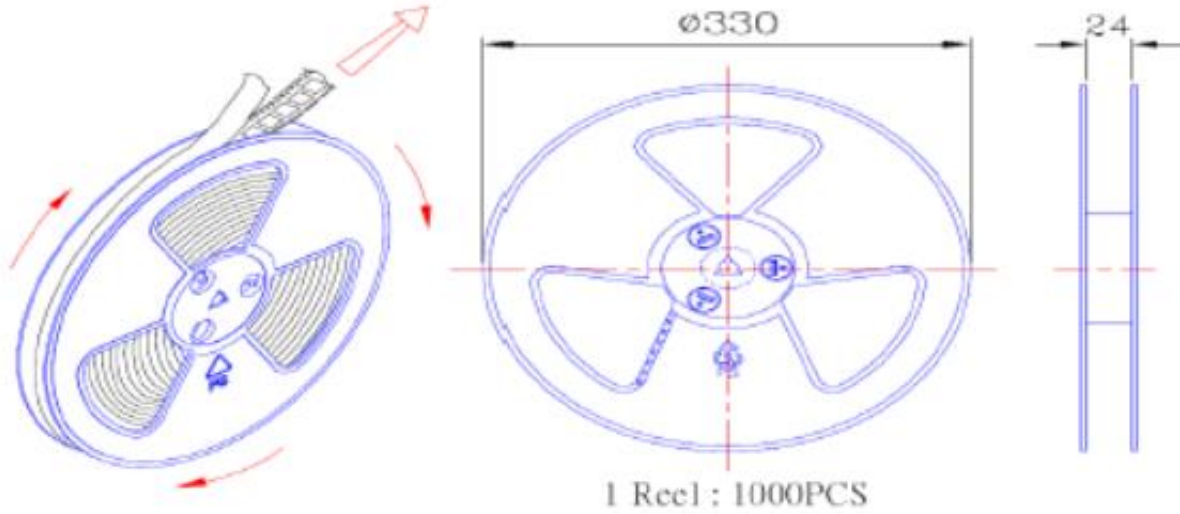


***Manual soldering with 350C iron temp and 2-3 seconds solder time per terminal.**

Dimensions



Packaging



Inner Box	330mm x 330mm x 30mm	1 x 1000PCS = 1000PCS
Carton Box	350mm x 355mm x 175mm	5 x 1000PCS = 5,000PCS

Specifications Revisions

Revision	Description	Date	Approved
-	RELEASED FROM ENGINEERING	12/18/2014	-
A	Increased Operating Temperature Range	10/15/2018	M.V.
B	Added Reflow Note #4	01/25/2019	M.L.
C	Revised Voltage units and range	02/28/2020	M.V.

Note:

1. Unless otherwise specified:
 - A. All dimensions are in millimeters.
 - B. Default tolerances are $\pm 0.5\text{mm}$ and angles are $\pm 3^\circ$.
2. Specifications subject to change or withdrawal without notice.
3. RoHS/REACH Compliant.
4. Reflow acceptable, Max temp 260C for 10sec or less.