



PUI audio



Data Sheet

AI-2604-TF-LW120-24V

Features:

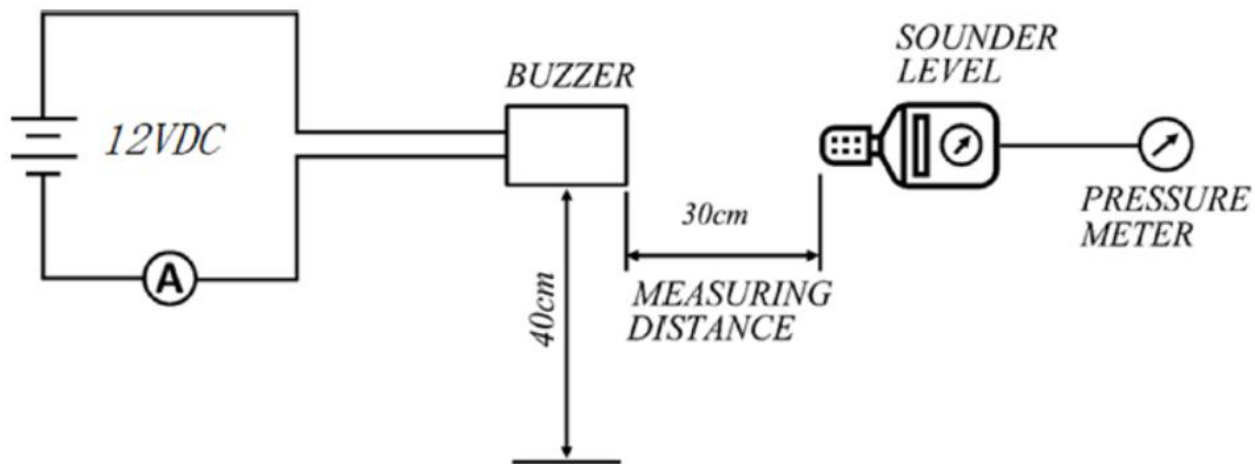
- Top-firing, flange-mount magnetic indicator
- 24V_{DC}, 400 Hz resonant frequency

Specifications

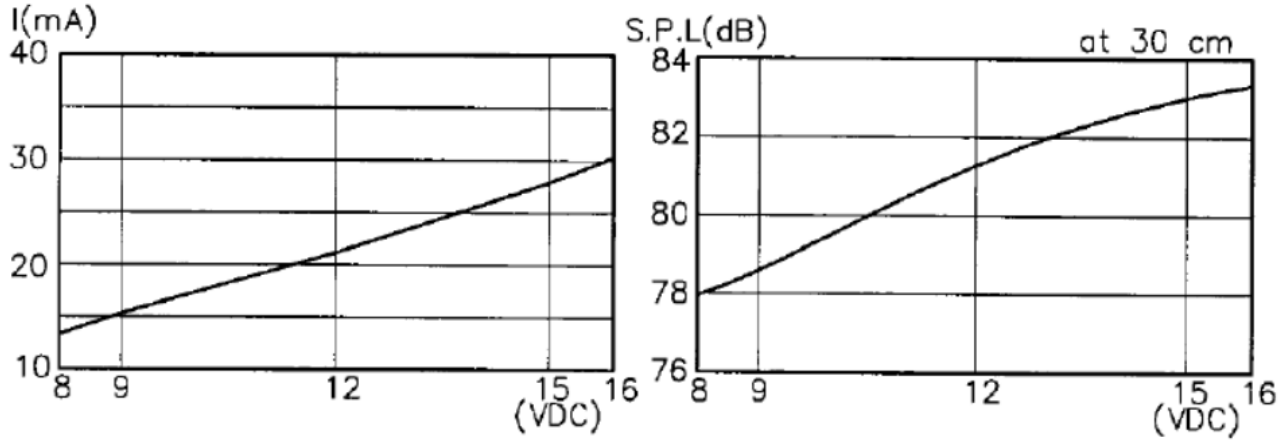
Parameters	Values	Units
Rated Voltage	24	V _{DC}
Operating Voltage Range	20 ~ 28	V _{DC}
Current Draw at Rated Voltage	35 Max.	mA
Minimum SPL @ 30cm	82	dBA
Resonant Frequency	400 ± 150	Hz
Tone or Pulse Rate	Continuous	-
Housing Material	ABS	-
Terminal Material	Lead Wires	-
Weight	12	Grams
Acceptable Soldering Methods	Hand Solder	-
Environmental Compliances	RoHS/REACH	-
Storage Temperature	-30 ~ +70	°C
Operating Temperature	-20 ~ +60	°C

Measurement Method (Temperature: 25±3°C; Relative Humidity: 60% ~ 70%)

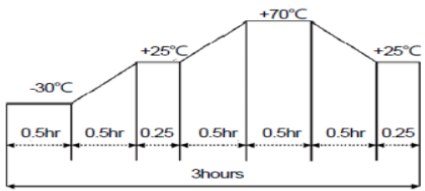
Standard test fixture (Distance: 30cm, Voltage: 24V_{DC})



Typical SPL vs Input Voltage

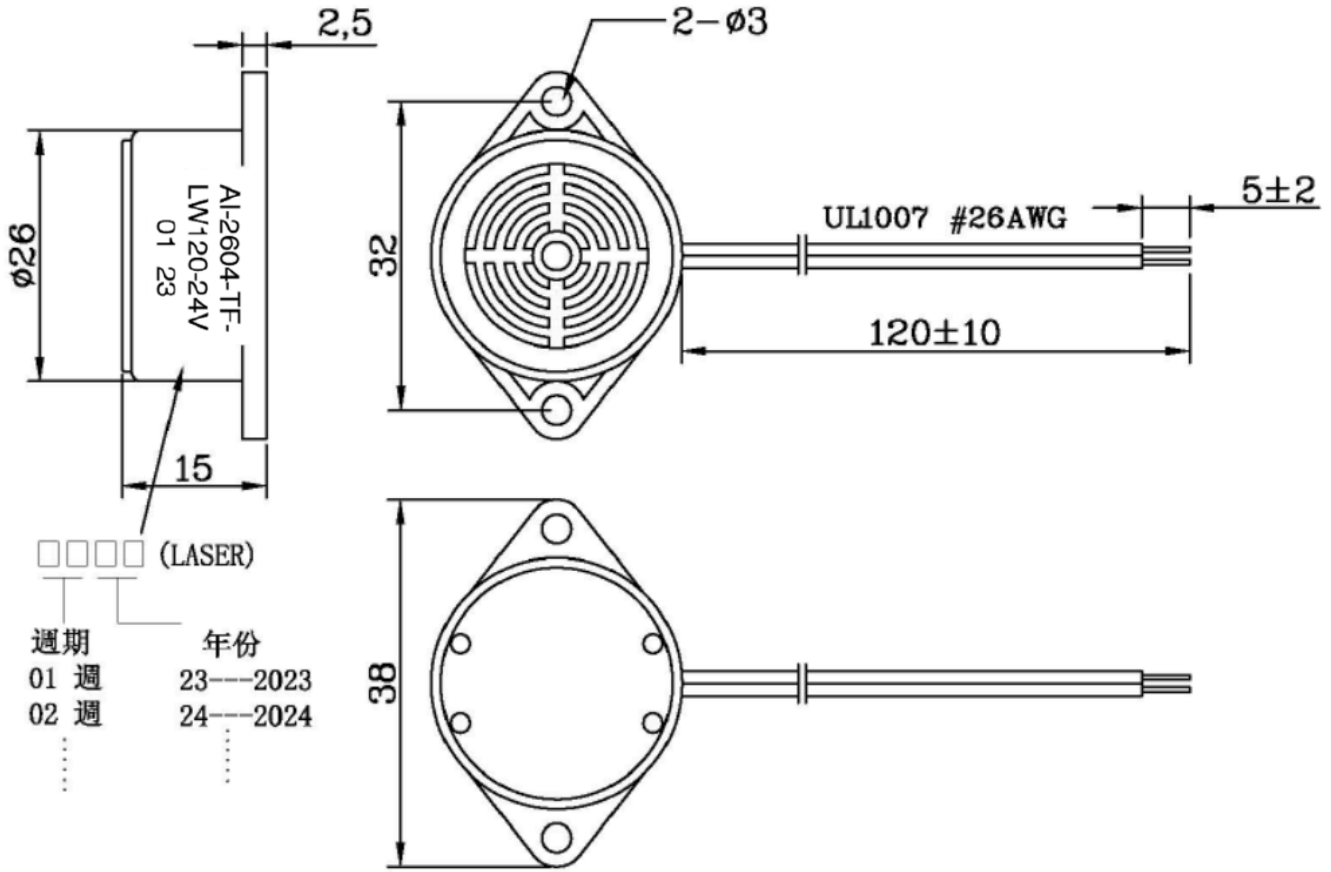


Reliability Testing

Type of Test	Test Specifications
High Temperature Test	240 hours at 70°C.
Low Temperature Test	240 hours at -30°C.
Humidity Test	240 hours at 40°C with relative humidity at 60%.
Temperature Cycle Testing	Part shall be subject to 5 cycles of 
Vibration Test	Apply vibration amplitude of 1.5mm with 10-55hz band of vibration frequency to each of 3 perpendicular direction for 2 hours.
Drop Test	Drop part from 75cm height onto 40mm thick wooden board 3 times in each X,Y,Z direction.

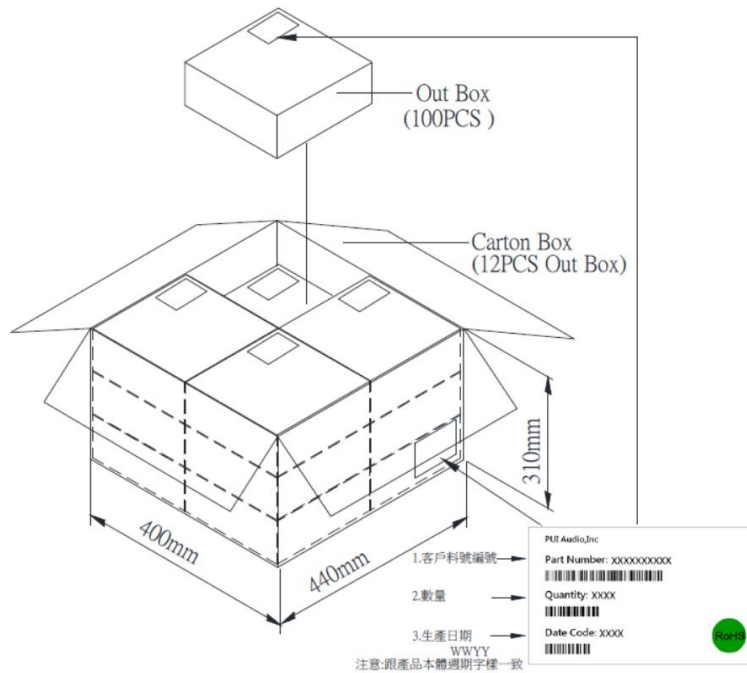
After test and resting time of 4 hours at 25C, SPL shall be within ± 10 dB.

Dimensions (Tolerance ±0.5mm unless otherwise noted)



*Red wire notes positive+

Packaging



Specifications Revisions

Revision	Description	Date
A	RELEASED FROM ENGINEERING	7/13/2023

Note:

- 1. Unless otherwise specified:
 - A. All dimensions are in millimeters.
 - B. Default tolerances are $\pm 0.5\text{mm}$ and angles are $\pm 3^\circ$.
- 2. Specifications subject to change or withdrawal without notice.