



PUI audio



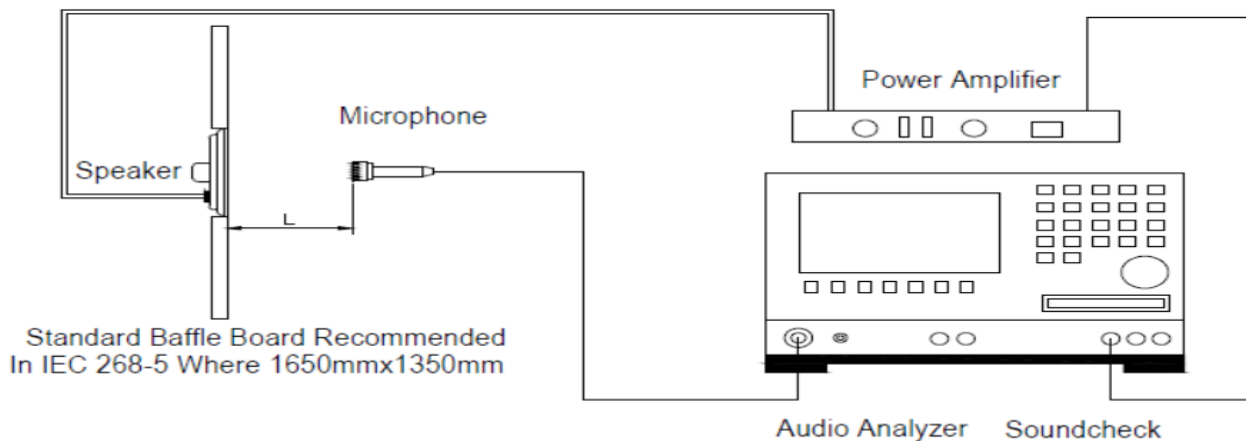
Data Sheet

AS09008PO-11-R

Specifications

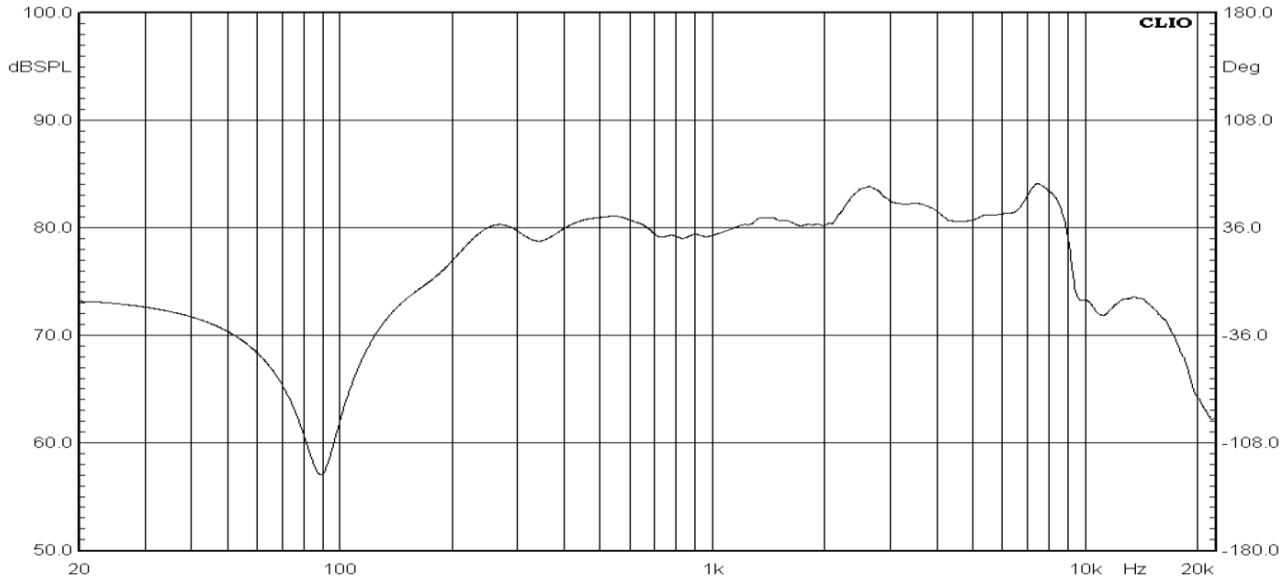
| Parameters | Values | Units |
|--|--|-------|
| Rated Input Power | 5 | Watts |
| Max Input Power | 8 | Watts |
| Impedance | $8 \pm 15\%$ | Ohms |
| Sensitivity (SPL @ 1W/50cm) At 0.8, 1.0, 1.2, 1.5 kHz | 85 ± 3 | dB |
| Resonant Frequency | $180 \pm 20\%$ | Hz |
| Frequency Range | $F_o \sim 10,000$ | Hz |
| Frame Material | Steel | - |
| Magnet Material | Ferrite | - |
| Diaphragm Material | Paper | - |
| Weight | 98 | Grams |
| Buzz, Rattle, etc. | Must be normal at sine wave F_o - 20kHz, 6.32 | - |
| Polarity | Cone will move forward with positive+ current to positive terminal | - |
| Storage Temperature | -20 ~ +65 | °C |
| Operating Temperature | -20 ~ +65 | °C |

Test Condition



L=50cm

Frequency Response (measured with 2.83V @ 50cm)

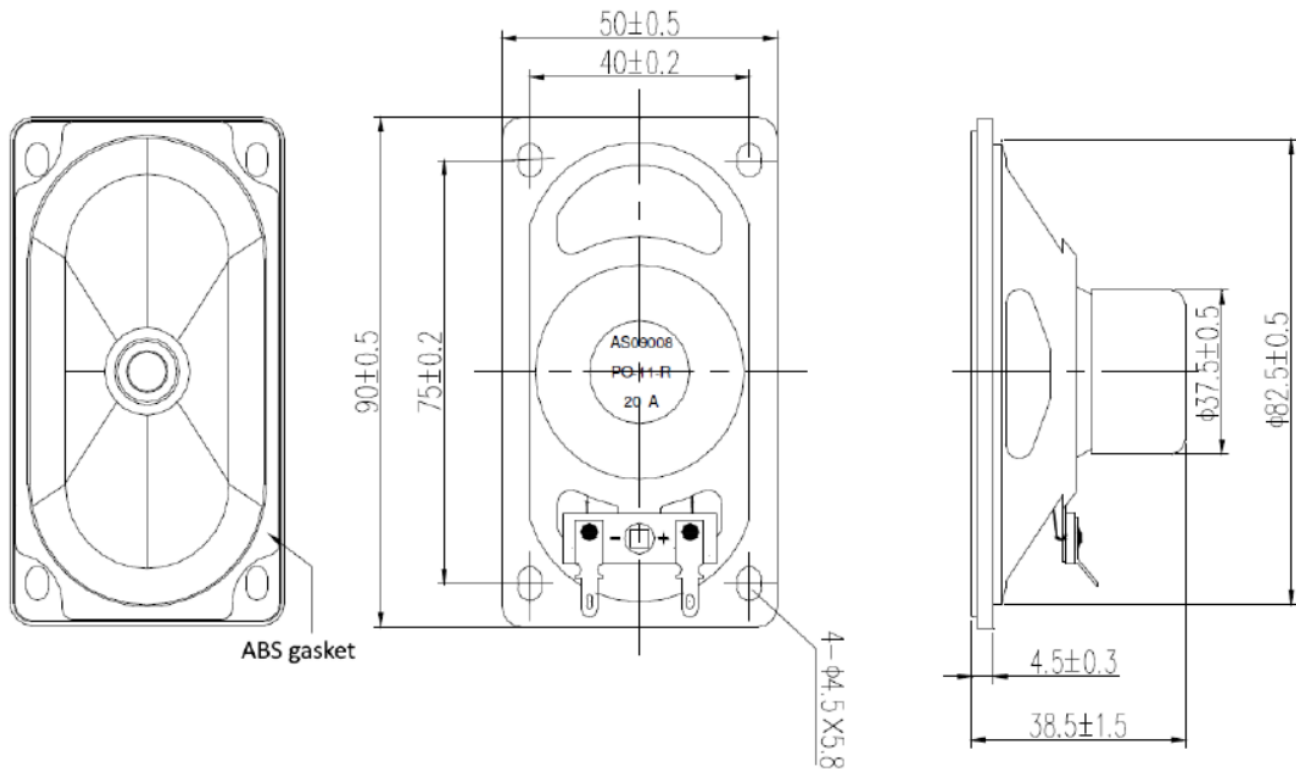


Reliability Testing

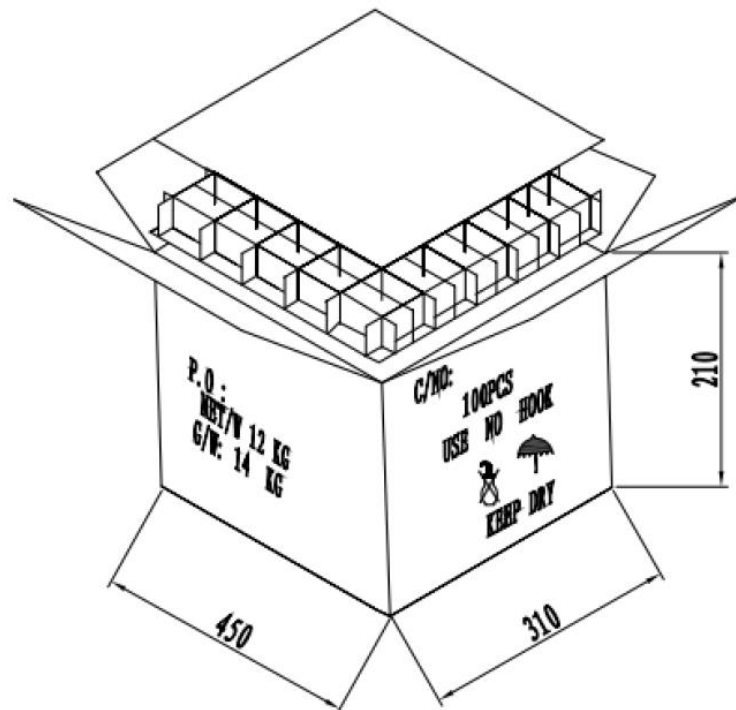
| Type of Test | Test Specifications |
|---------------------------|--|
| High Temperature Test | 96 hours at +65°C ± 3°C followed by three hours in normal room temperature |
| Low Temperature Test | 96 hours at -20°C ± 3°C followed by three hours in normal room temperature |
| Humidity Test | 96 hours at +40°C ± 3°C with relative humidity at 90% followed by 6 hours in normal room temperature |
| Temperature Cycle Testing | <p>The part shall be subjected to 5 cycles using the following procedure:</p> <p>The diagram illustrates a temperature cycle test procedure. It starts at +65°C for 2 hours, then ramps down to +25°C over 0.5 hours, stays at +25°C for 1 hour, ramps down to -20°C over 0.5 hours, and finally stays at -20°C for 2 hours. The total duration of one cycle is 6 hours.</p> |
| Vibration Test | Frequency 30 ± 15Hz, Amplitude 1.5mm for 3hr |
| Drop Test | 100cm free fall onto concrete, x2 |
| Load Test | Rated power for 96hrs |

After each test, the speaker's SPL shall be ±3 dB of the original SPL

Dimensions



Packaging



50pcs Tray
100pcs per carton

Specifications Revisions

| Revision | Description | Date |
|-----------------|---------------------------|-------------|
| A | Released from Engineering | 5/1/2020 |
| | | |
| | | |

Note:

1. Unless otherwise specified:
 - A. All dimensions are in millimeters.
 - B. Default tolerances are $\pm 0.5\text{mm}$ and angles are $\pm 3^\circ$.
2. Specification to change or withdraw without notice.