



PUIaudio



Data Sheet

HD-VA2527

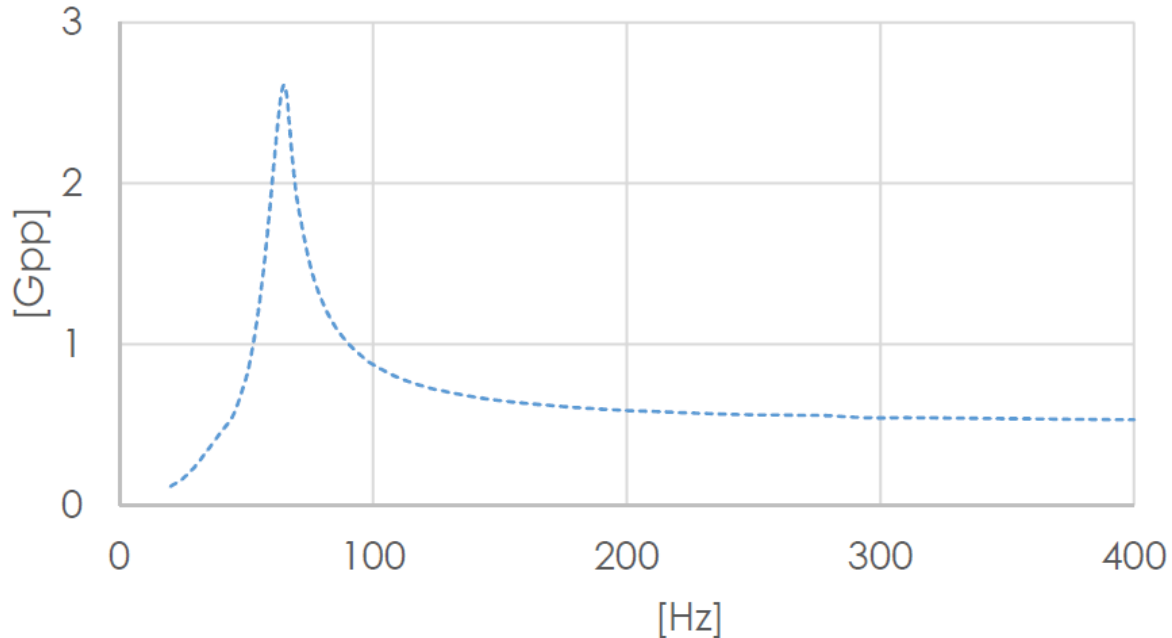
Features:

- Fast response times over a wide frequency range
- Maximum acceleration of 2.61 Gp-p measured at 65 Hz.
- Cylindrical form allows for a variety of implementations

Specifications

Parameters	Values	Units
Input Voltage (@ 200 Hz)	1.0	V _{rms}
Max Voltage (@ 200 Hz)	3.0	V _{rms}
Power Consumption	0.04	W
Nominal Impedance DCR	5.7	Ohms
Acceleration Frequency (Max)	65	Hz
Vibration Acceleration	2.61	Gp-p
Rise Time 0-90%	< 80	ms
Fall time 100-10%	< 80	ms
Polarity	Acceleration generated to top side when input positive voltage into plus side pad.	-
Environmental Compliances	RoHS/REACH	-
Weight	28	Grams
Storage Temperature	-20 ~ +60	°C
Operating Temperature	0 ~ +50	°C

Vibration Acceleration

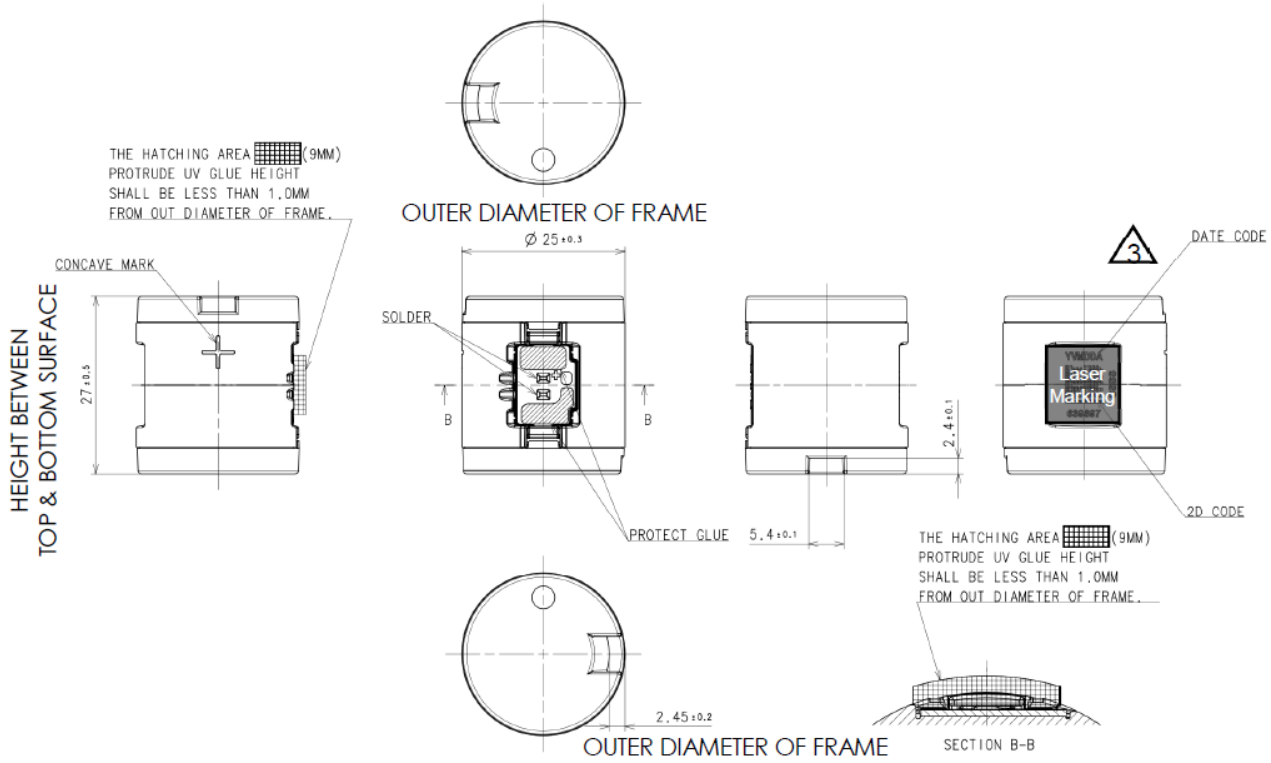


Reliability Testing

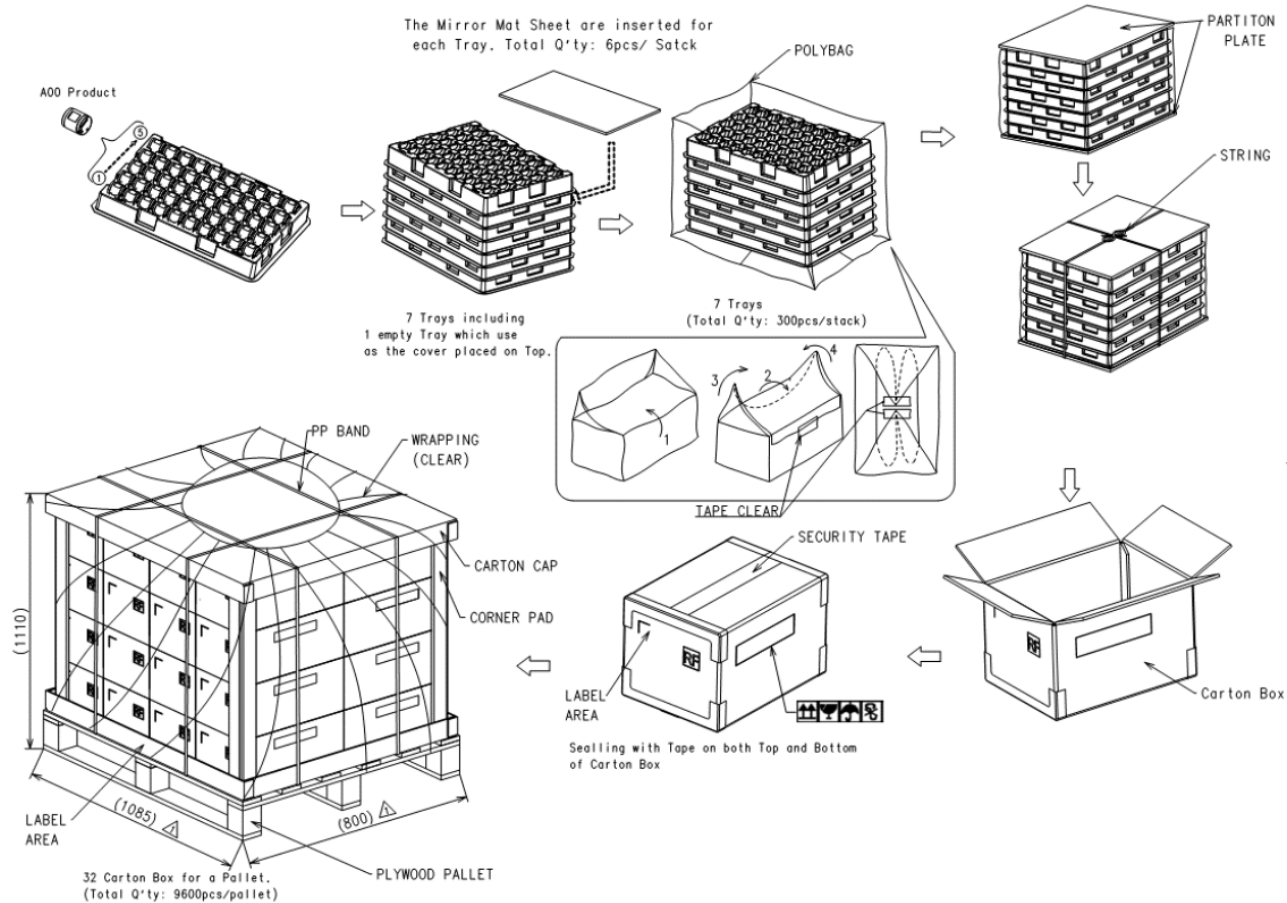
Type of Test	Test Specifications
High Temperature Test	Temperature: +50°C Test Duration Time: 8 hours
Low Temperature Test	Temperature: 0±2°C Test Duration Time: 8 hours
Humidity Test	Temperature: 35°C Relative Humidity: 90 to 95% Test Duration Time: 8 hours
Temperature Cycle Testing	Run cycle shown 1 times
Vibration Test	Test Axis: XYZ Test Repetition: 60 minutes per axis (30 minutes total)
Drop Test	Sample with 200g Mass is dropped only one time for 6 surfaces onto P-tile from the 1.7m height

Acceleration frequency characteristics shall be within tolerance after each test.

Dimensions



Packaging



Specifications Revisions

Revision	Description	Date
A	RELEASED FROM ENGINEERING	07/20/2022

Note:

- 1. Unless otherwise specified:
 - A. All dimensions are in millimeters.
 - B. Default tolerances are $\pm 0.5\text{mm}$ and angles are $\pm 3^\circ$.ssw
- 2. Specifications subject to change or withdrawal without notice.