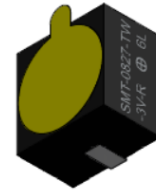




PUI audio



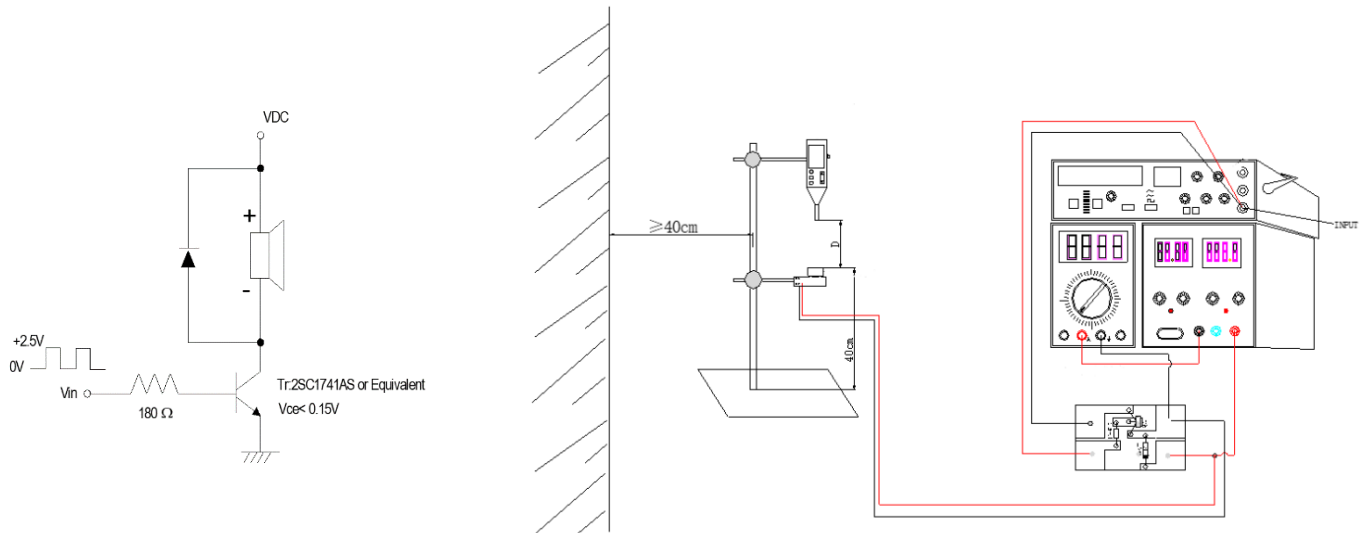
Data Sheet	SMT-0827-TW-3V-R
------------	------------------

Specifications

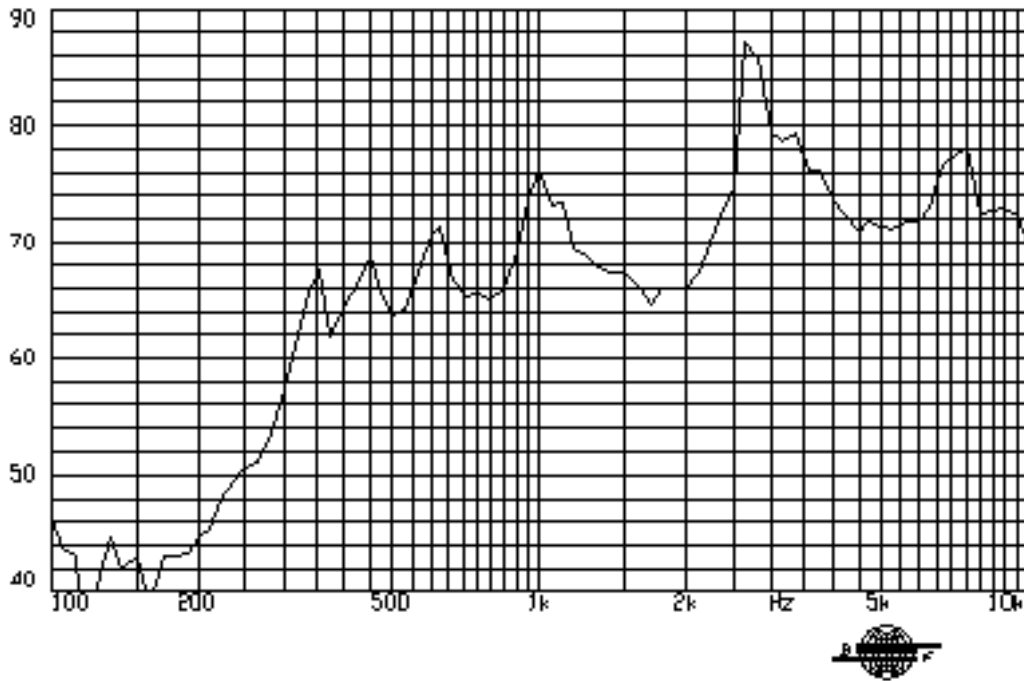
Parameters	Values	Units
Rated Voltage	3.6	V0-p
Operating Voltage Range	2 ~ 5	V0-p
Current Draw at Rated Voltage	70	mA
Coil Resistance	15 ± 3	Ohms
Minimum SPL @ 10cm	85	dBA
Resonant Frequency	2730 ± 500	Hz
Housing Material	LCP	-
Terminal Material	Sn Plated Brass	-
Weight	2	Grams
Acceptable Soldering Methods	Manual/Reflow	See Details
Environmental Compliances	RoHS/REACH	-
Storage Temperature	-50 ~ +95	°C
Operating Temperature	-40 ~ +85	°C

Measurement Method (Temperature: 25±3°C; Relative Humidity: 60% ~ 70%)

Standard Test Fixture (Distance: 10cm, 5 V0-p, 2400 Hz square wave)



Typical Frequency Response (3.6V, 10cm)

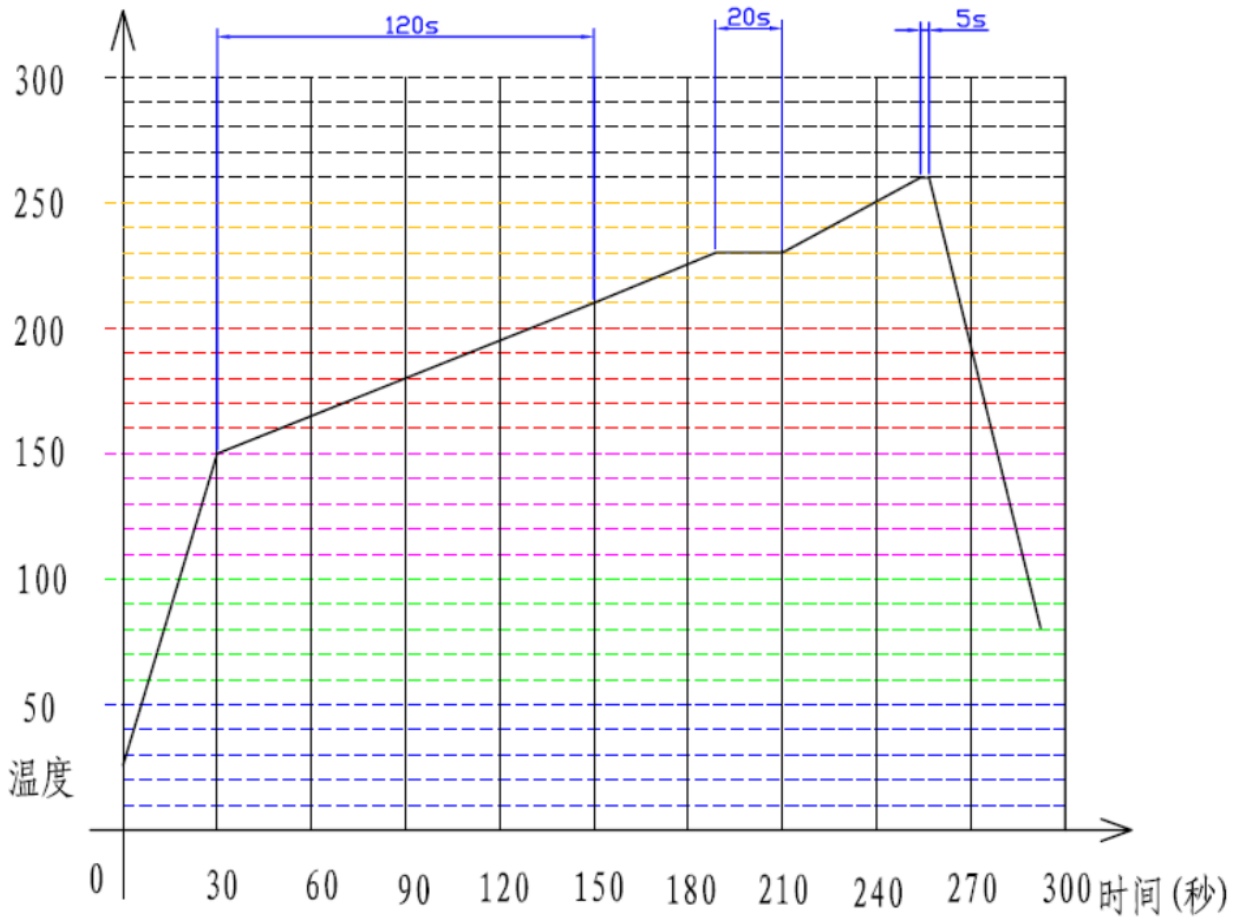


Reliability Testing

Type of Test	Test Specifications
High Temperature Test	96 hours at 95°C without applying power. Expose for 2 hours at room temp.
Low Temperature Test	96 hours at -50°C without applying power.
Humidity Test	96 hours at 40°C with relative humidity at 90-95% without applying power. Expose for 2 hours at room temp.
Temperature Cycle Testing	Test 5 cycles as shown below.
Vibration Test	<p>Apply in each X,Y,Z direction for 2 hours each.</p>
Drop Test	Free drop from 100cm height to 10mm thick board in X,Y,Z direction.

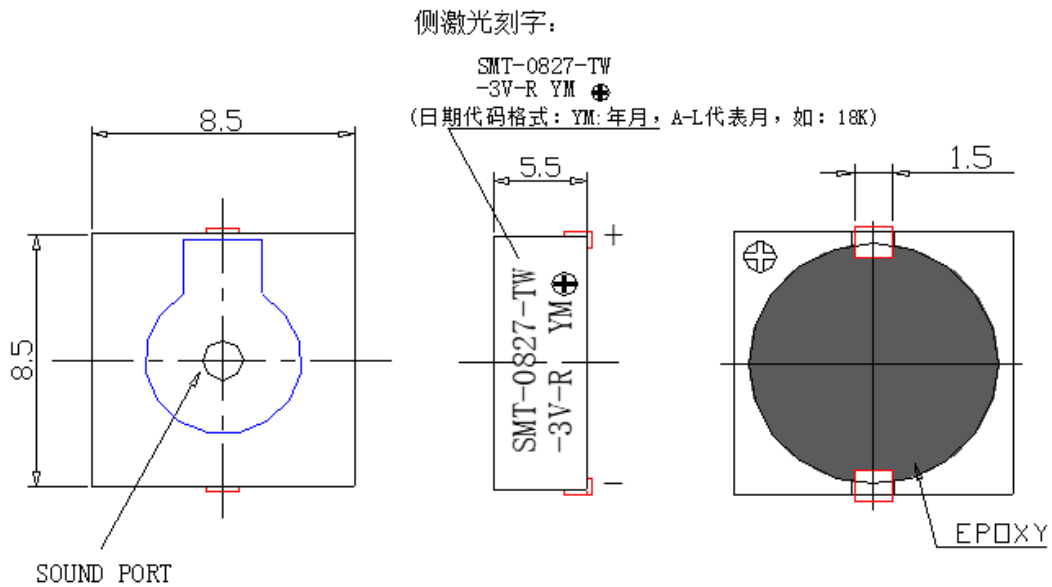
After tests, part shall measure within ± 5 dB.

Suggested Reflow

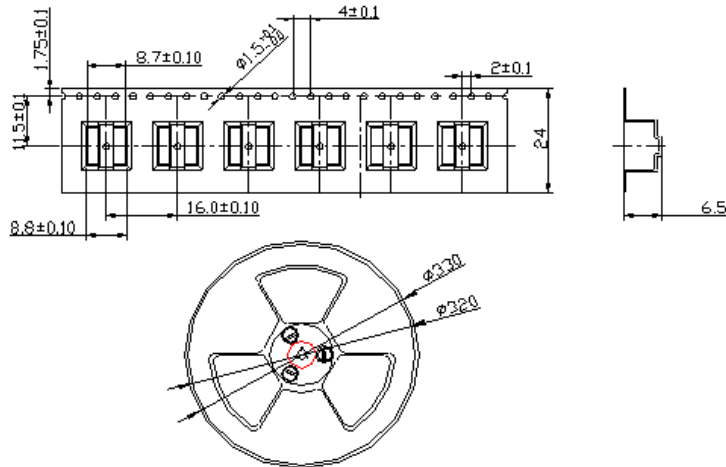


***Manual soldering with 350C iron temp and 2-3 seconds solder time per terminal.**

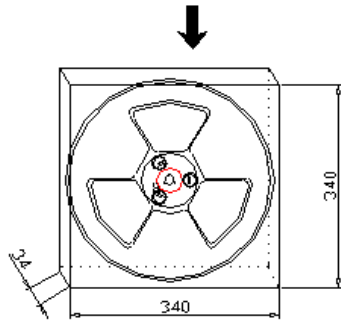
Dimensions



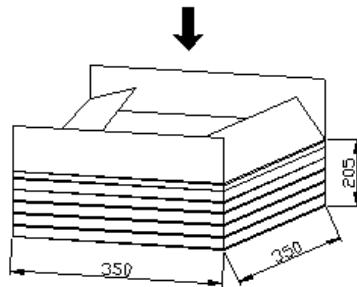
Packaging



每盘装:600PCS



1ROLL CARRIER REEL/INNER BOX; 1卷套防静电袋抽真空放入一内盒



3000PCS/CTN 每箱放3000只(5只内盒)

Specifications Revisions

Revision	Description	Date
-	RELEASED FROM ENGINEERING	03/29/2007
A	Revised to Inventor 3D Template	11/5/2007

Note:

- Unless otherwise specified:
 - All dimensions are in millimeters.
 - Default tolerances are $\pm 0.5\text{mm}$ and angles are $\pm 3^\circ$.
- Specifications subject to change or withdrawal without notice.