



PUI audio

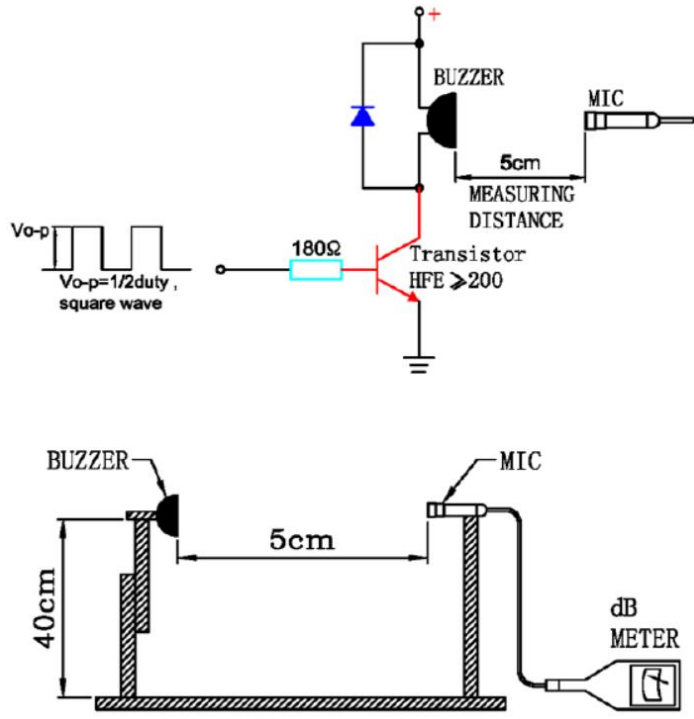


Data Sheet	SMT-0931-S-R
------------	--------------

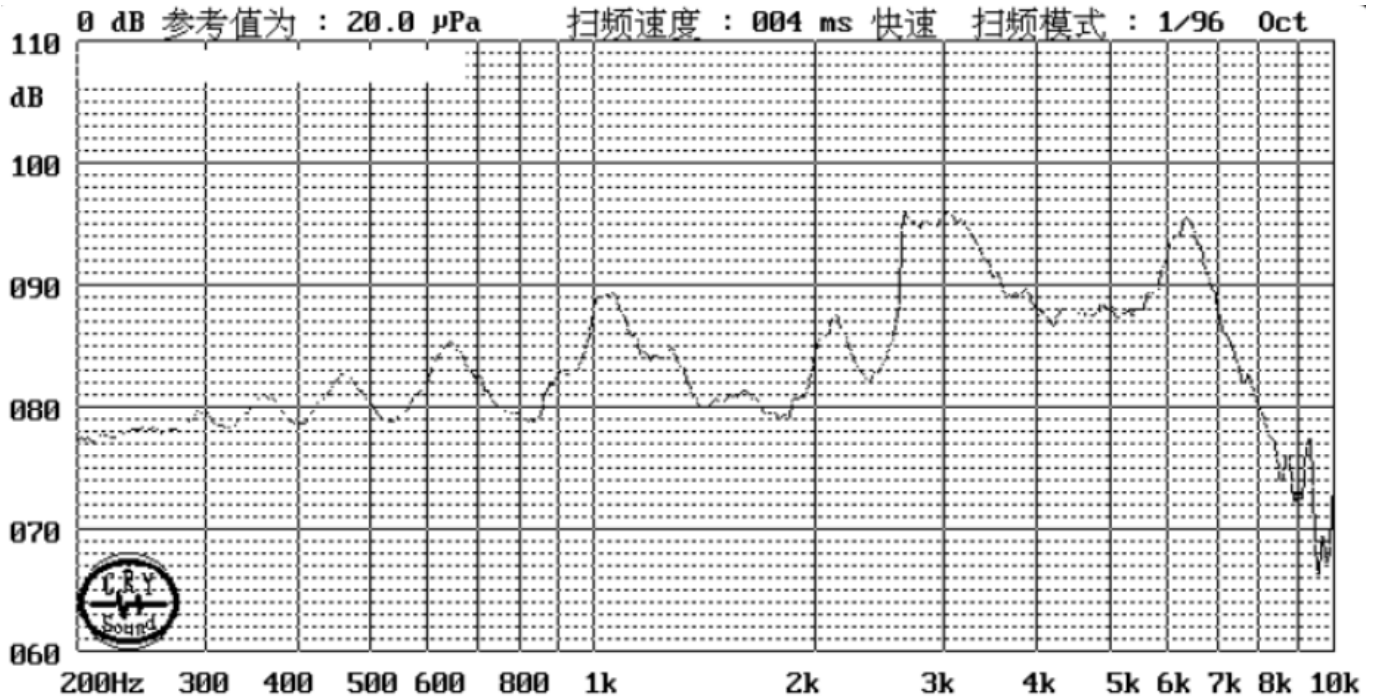
Specifications

Parameters	Values	Units
Rated Voltage	3.6	V0-p
Operating Voltage Range	3 ~ 5	V0-p
Current Draw at Rated Voltage	80 (Max.)	mA
Coil Resistance	20 ± 3	Ohms
Minimum SPL @ 5cm	95	dBA
Resonant Frequency	3100 ± 500	Hz
Housing Material	LCP (White)	-
Terminal Material	Au plated Brass	-
Weight	0.8	Grams
Acceptable Soldering Methods	Hand Solder, Reflow Solder	See page 3 for soldering information
Environmental Compliances	RoHS/REACH	-
Moisture Sensitivity Level	Not Required	-
Storage Temperature	-40 ~ +85	°C
Operating Temperature	-40 ~ +85	°C

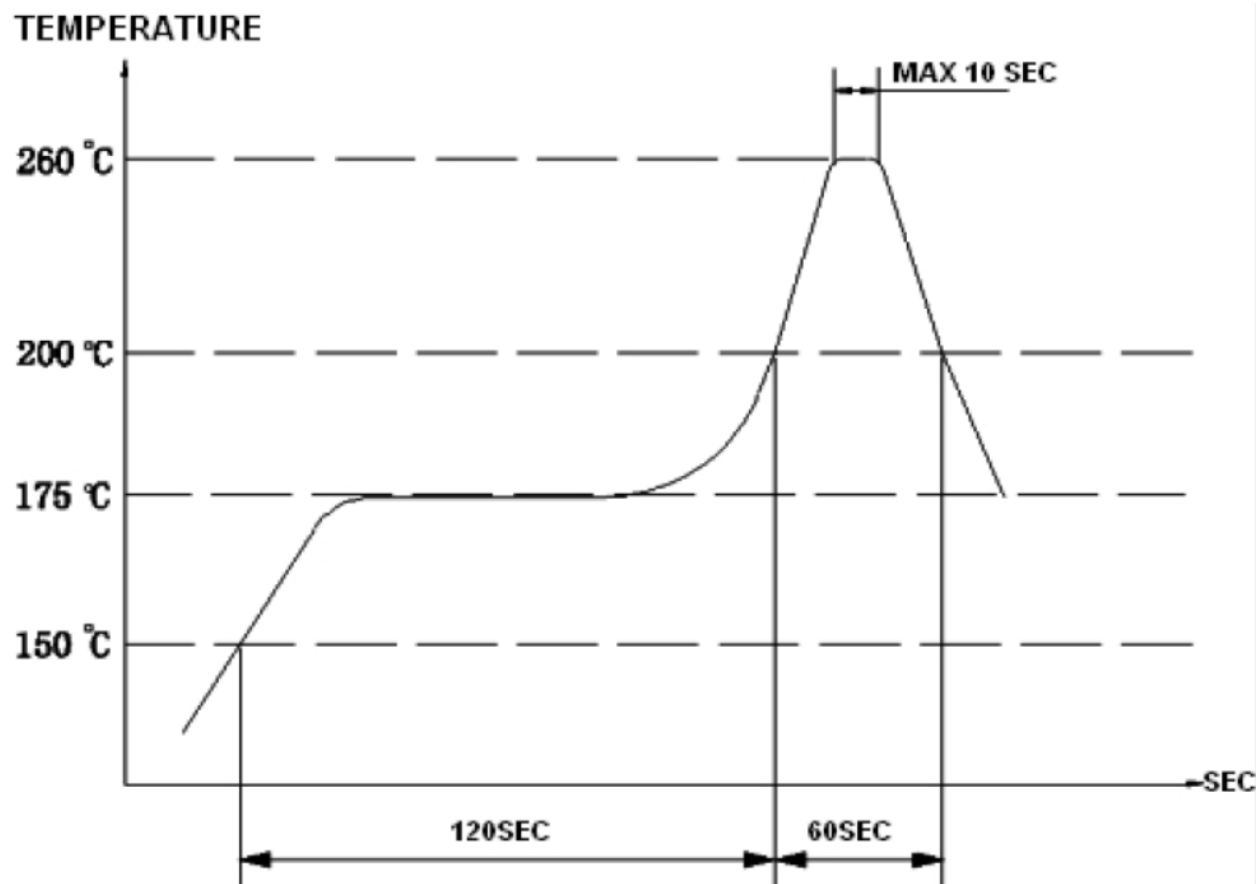
Measurement Method (3.6V0-p, 3.1kHz, 50% duty cycle square wave with SPL meter spaced at 5cm)



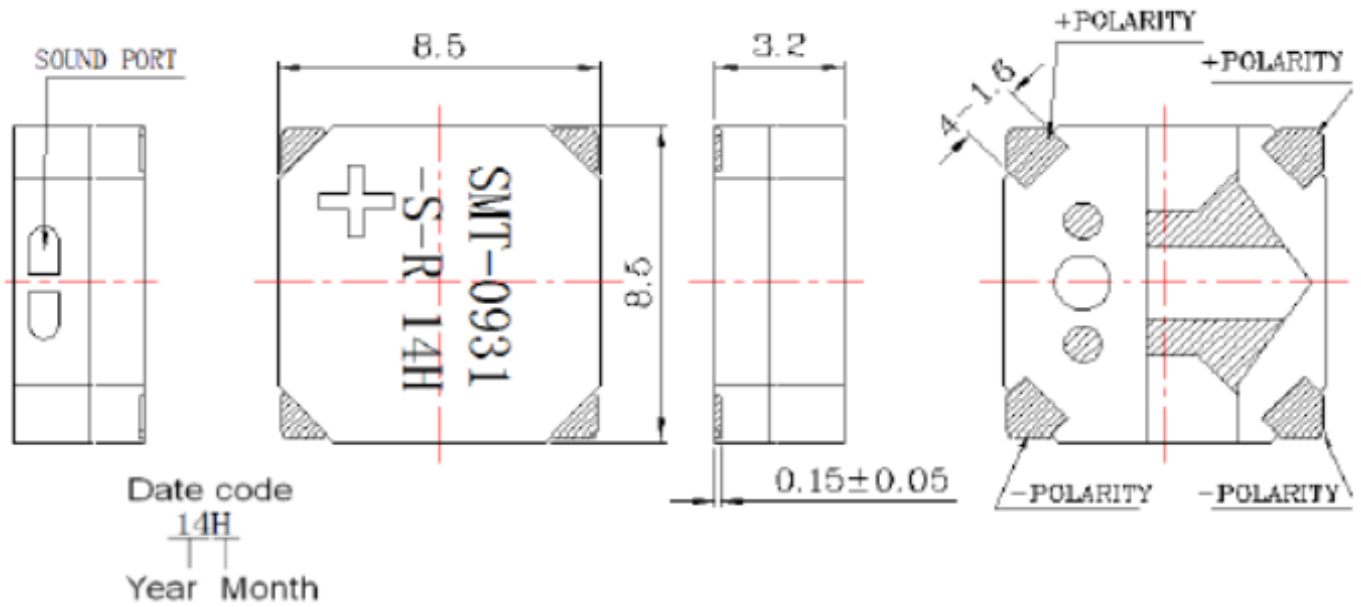
Typical Frequency Response (3.6V0-p square wave with microphone spaced at 5cm)



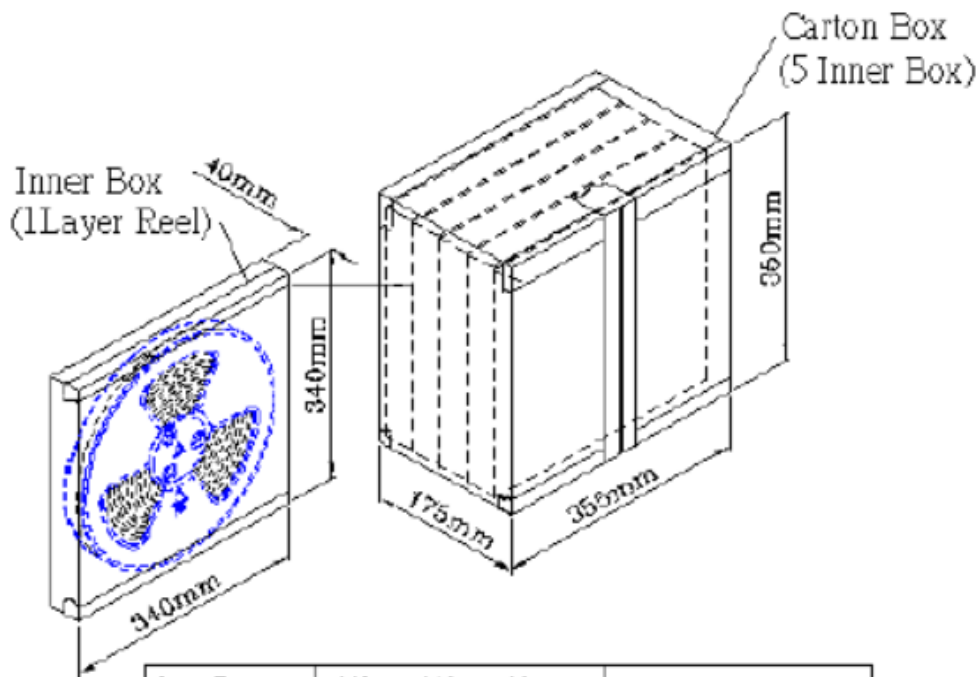
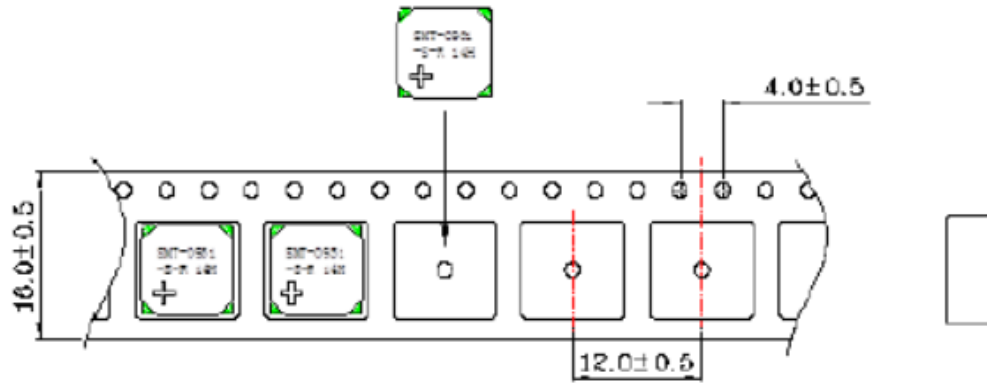
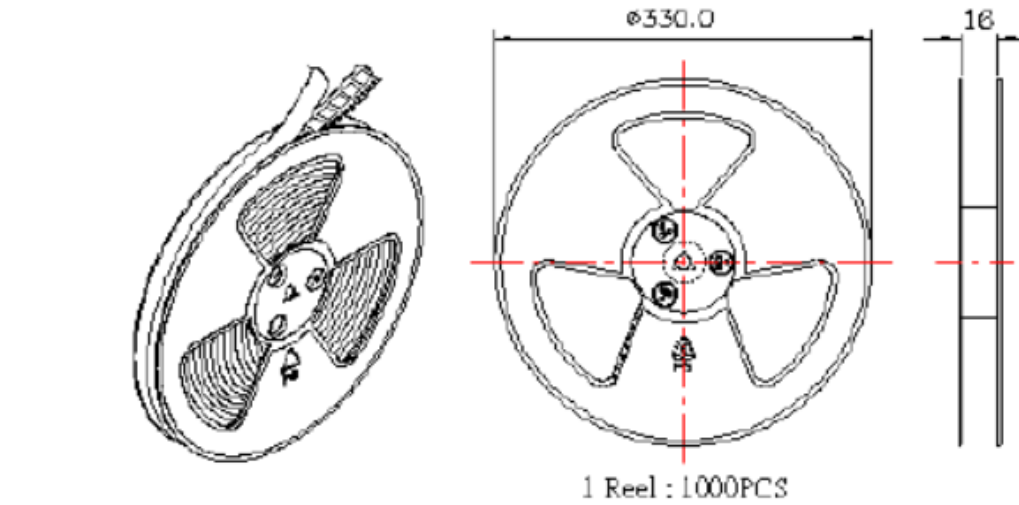
Recommended Reflow Soldering Procedure



Dimensions (Tolerance is $\pm 0.5\text{mm}$ unless stated otherwise)



Packaging



Inner Box	340mm x 340mm x 40mm	1 x 1000PCS = 1000PCS
Carton Box	350mm x 355mm x 175mm	5 x 1000PCS = 5,000PCS

Specifications Revisions

Revision	Description	Date	Approved
-	Released from Engineering	07/31/2014	B.R.
A	Revised Operating Temperature	12/14/2020	M.L.

Note:

- 1. Unless otherwise specified:
 - A. All dimensions are in millimeters.
 - B. Default tolerances are $\pm 0.5\text{mm}$ and angles are $\pm 3^\circ$.
- 2. Specifications subject to change or withdrawal without notice.