



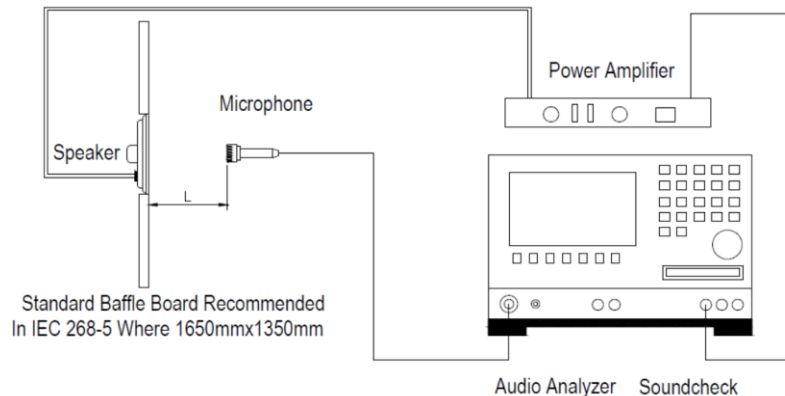
Data Sheet

AS07008MO-R

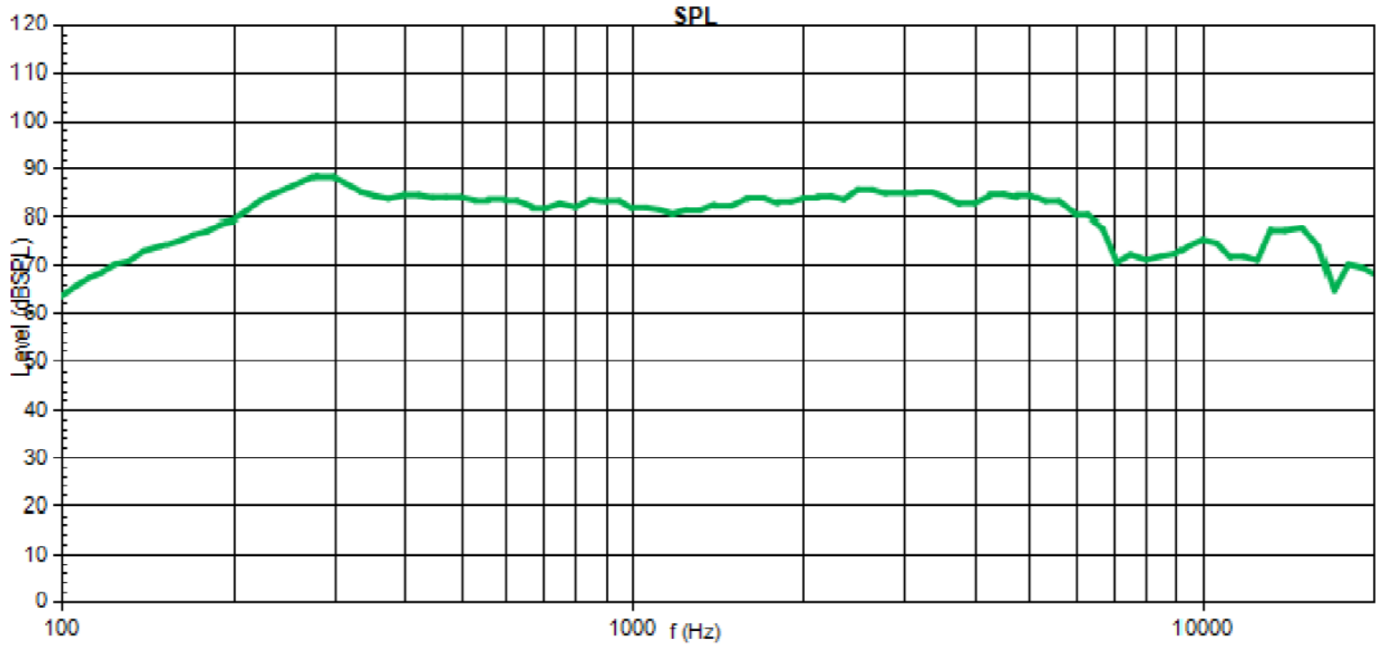
Specifications

Parameters	Values	Units
Rated Input Power	2	Watts
Max Input Power	5	Watts
Impedance	8 ± 15%	Ohms
SPL @ 1W/0.5m (Average 0.8, 1.0, 1.2, 1.5kHz)	81 ± 3	dB
Resonant Frequency	300 ± 20%	Hz
Frequency Range (-10 dB)	Fo ~ 10,000	Hz
THD (1kHz, 0.1W)	<5%	
Frame Material	Stamped Steel	-
Diaphragm Material	Rubber + PP	
Magnet Material	NdFeB	-
Weight	36	Grams
Ingress Protection Rating	IP55	-
Acceptable Soldering Methods	Hand Solder	-
Buzz, Rattle, etc.	Should not be audible with 4V sine wave from Fo to 4k Hz	-
Environmental Compliances	ROHS/REACH	-
Polarity	Cone shall move forward when a positive voltage is applied to the positive terminal	-
Operating Temperature	-20 ~ +60	°C
Storage Temperature	-30 ~ +70	°C

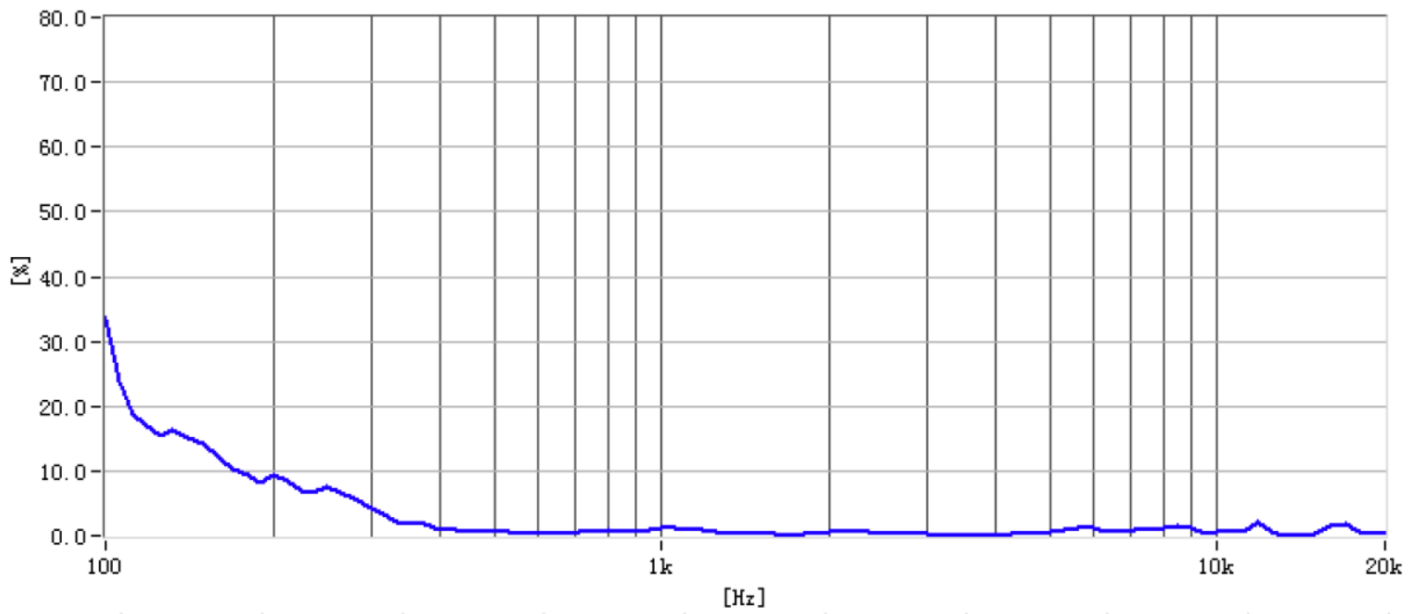
Measurement Method (1W, 50cm)



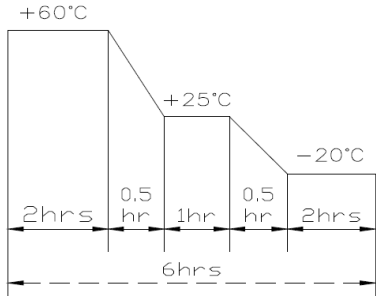
Typical Frequency Response



Total Harmonic Distortion (0.1W, 50cm)

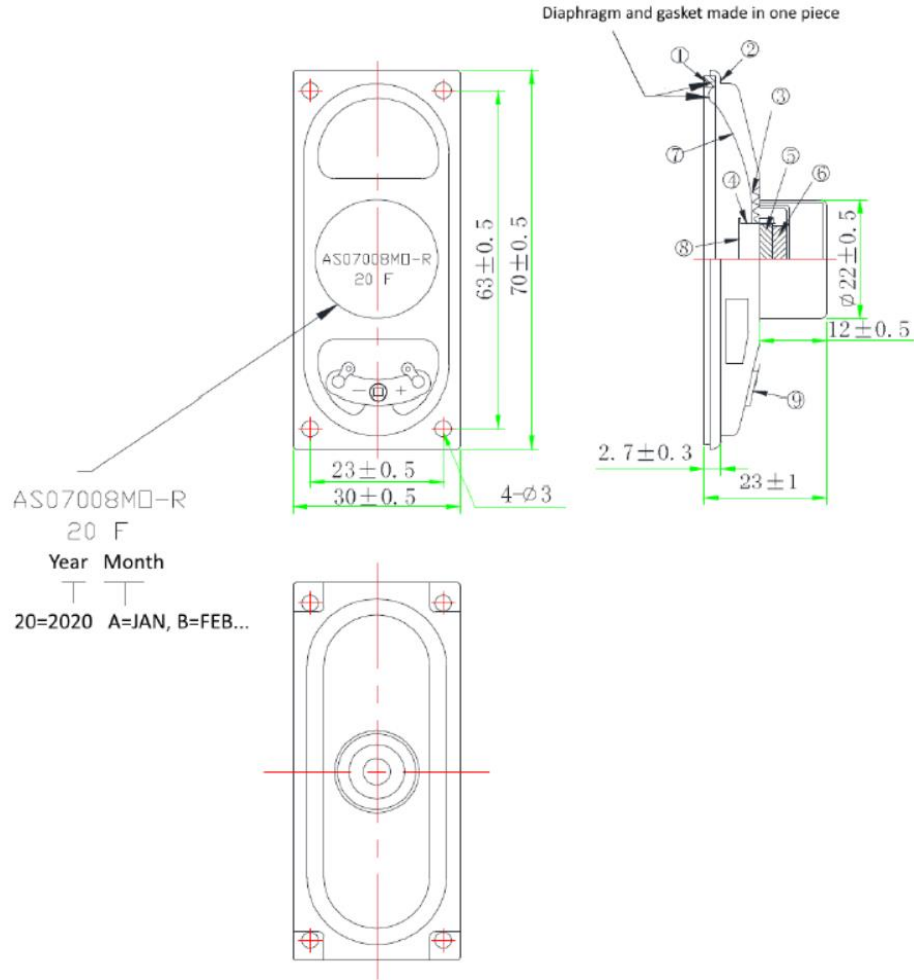


Reliability Testing

Type of Test	Test Specifications
High Temperature Test	96 hours at +70°C ± 2°C followed by three hours in normal room temperature
Low Temperature Test	96 hours at -30°C ± 3°C followed by three hours in normal room temperature
Humidity Test	96 hours at +30°C ± 2°C with relative humidity between 90% and 95% followed by 6 hours in normal room temperature
Temperature Cycle Testing	5 cycles according to the test below: 
Vibration Test	Frequency 10~55~10 Hz, Amplitude 1.5 mm for 2 Hours in each axis, X, Y, and Z.
Drop Test	75 cm free falling onto 40mm thick wooden board, 10 times.
Load Test	Speaker should not fail after applying white noise at rated power for 96 hours.

After each test, SPL shall not deviate by more than ±3 dB from pre-test measurement.

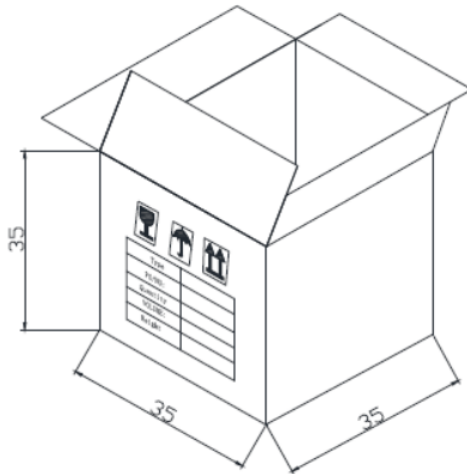
Dimensions



Packaging



36PCS=9*4



360PCS=36PCS*10

Specifications Revisions

Revision	Description	Date
-	Released from Engineering	1/3/2020
A	Revised SPL, Resonant Frequency and Frequency Response	6/4/2020
B	Revised Gasket Thickness and Tolerance	7/7/2020
C	Revised Drawing Dimensions	8/24/2021

Note:

1. Unless otherwise specified:
 - A. All dimensions are in millimeters.
 - B. Default tolerances are $\pm 0.5\text{mm}$ and angles are $\pm 3^\circ$.
2. Specifications subject to change or withdrawal without notice.