



PUIaudio

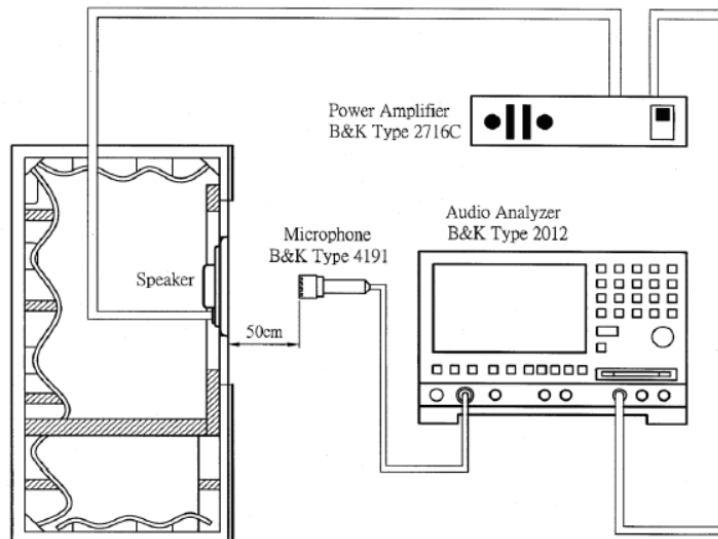


Data Sheet	AS04008MR-F-2
------------	---------------

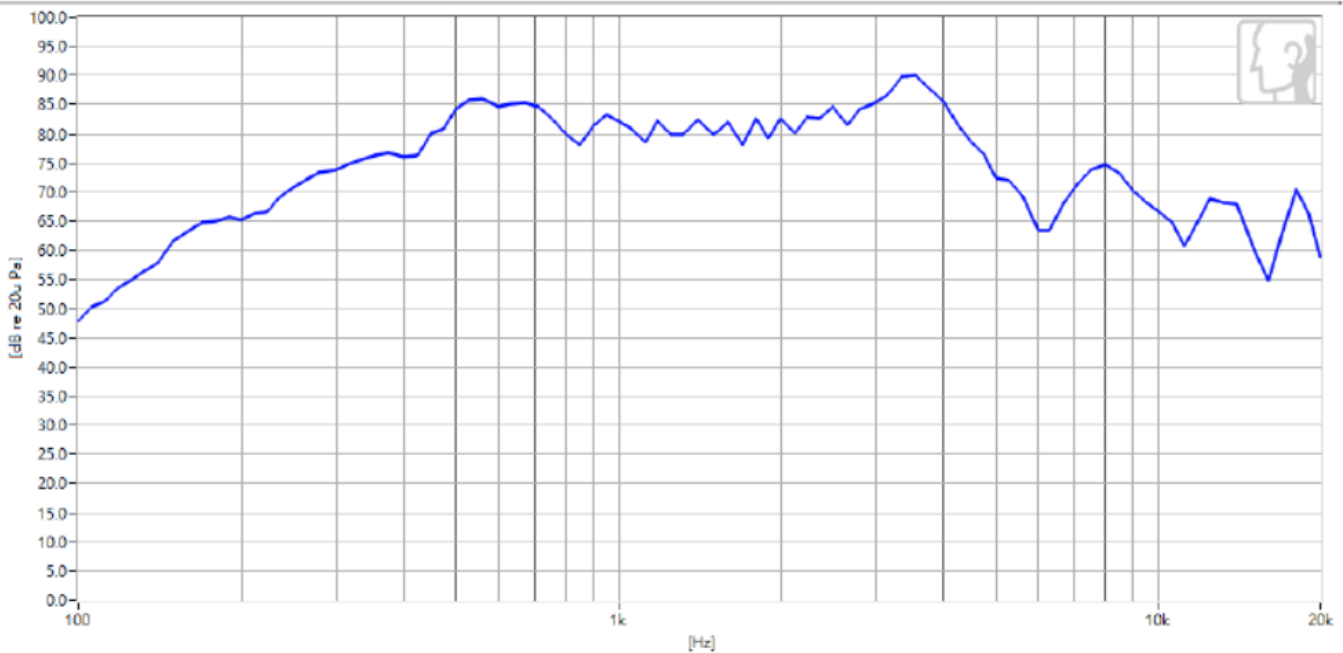
Specifications

Parameters	Values	Units
Rated Input Power	1.0	Watts
Max Input Power	2.0	Watts
Impedance	8 ± 15%	Ohms
Output SPL (Avg. 0.6, 0.8, 1.0, 1.2 kHz @ 1W/1M)	81 ± 3	dB
Resonant Frequency	580 ± 20%	Hz
Frequency Range	310 ~ 6,000	Hz
THD	5%	Max.
Frame Material	Metal	-
Magnet Material	NdFeB	-
Diaphragm Material	Mylar	-
Weight	9.8	Grams
Buzz, Rattle, etc.	Not be audible at 2.83Vsine wave between Fo ~ 7KHz	-
Environmental Compliances	ROHS/REACH	-
Polarity	Diaphragm shall move Forward when Apply a Positive DC. Current to the “+”	-
Storage Temperature	-40 ~ 70	°C
Operating Temperature	-25 ~ 60	°C

Measurement Method



Typical Frequency Response (1W, 1M)

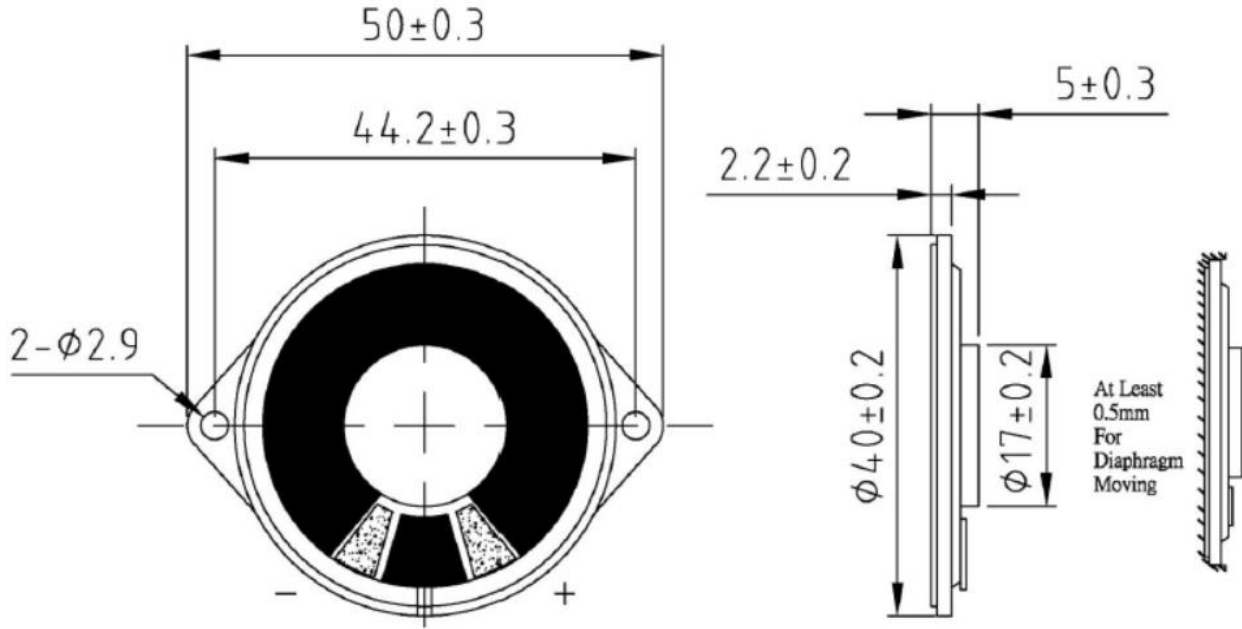


Reliability Testing

Type of Test	Test Specifications
High Temperature Test	24 hours at 70°C
Low Temperature Test	24 hours at -30°C
Humidity Test	24 hours at 30°C with relative humidity at 90%
Temperature Cycle Testing	Run for 5 cycles with each cycle consisting of:
Vibration Test	Amplitude: 1.5mm; Frequency: 10 to 55 hz Direction: X, Y, Z
Drop Test	Drop the speakers contained in normal box onto the board 40mm thick 10 times from the height of 75cm

After each test, let rest for 6 hours, then the change in SPL shall not be more than ±3dB

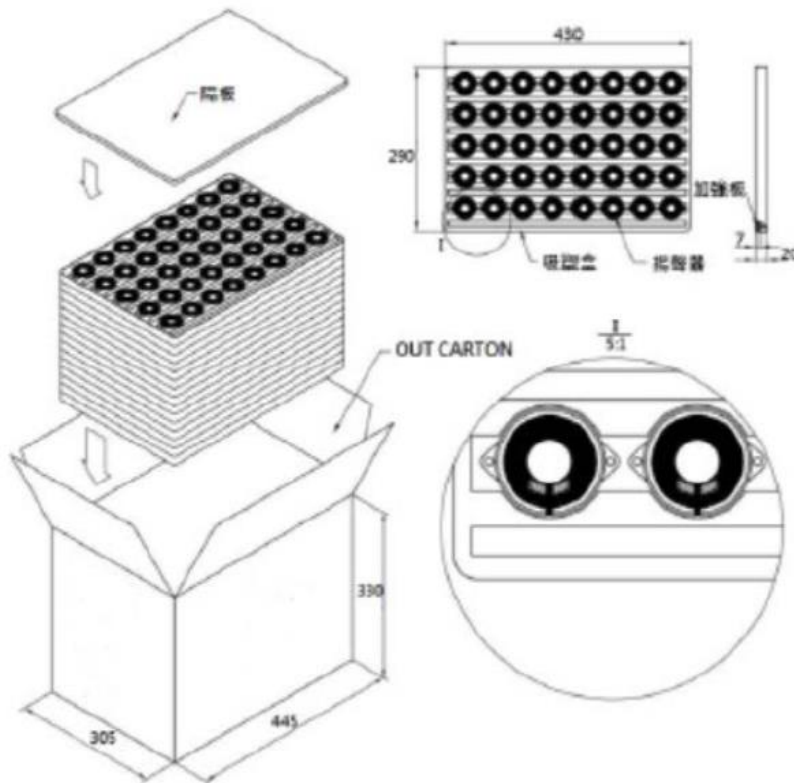
Dimensions



Packaging

Quantity per tray: 40 pcs

Quantity per master carton: 600 pcs



Tray	430mmx290mmx20mm	1x40PCS=40PCS
Carton box	445mmx305mmx330mm	40PCSx15=600PCS

NW: 6KGS, GW: 9KGS

Specifications Revisions

Revision	Description	Date
A	Released from Engineering	11/03/2023
B	Revised SPL, Resonant Frequency, Frequency Curve, Add packaging detail	01/05/2024

Note:

- 1. Unless otherwise specified:
 - A. All dimensions are in millimeters.
 - B. Default tolerances are $\pm 0.5\text{mm}$ and angles are $\pm 3^\circ$.
- 2. Specifications subject to change or withdrawal without notice.