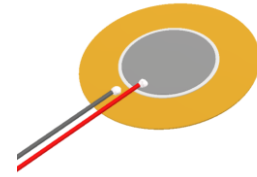




PUIaudio

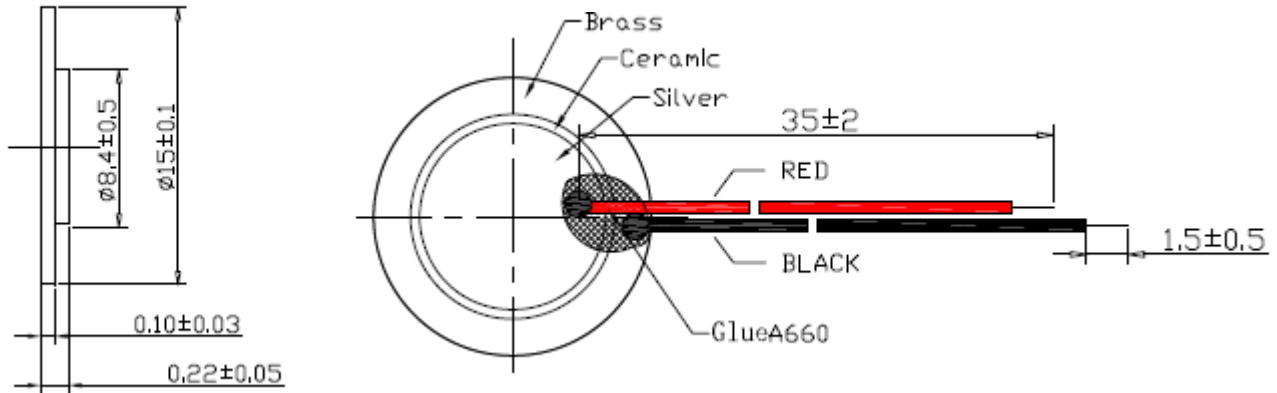


Data Sheet	AB1541B-LW35-R
------------	----------------

Specifications

Parameters	Values	Units
Resonant Frequency	4,100±500	Hz
Resonant Impedance (Max)	1,000	Ohms
Max Input Voltage	30	Vp-p
Capacitance (@ 1,000 Hz)	8,000±30%	pF
Plate Material	Brass	-
Storage Temperature	-20 ~ +70	°C
Operating Temperature	-20 ~ +60	°C
Environmental Compliances	RoHS/REACH	Exempt. 7c-1

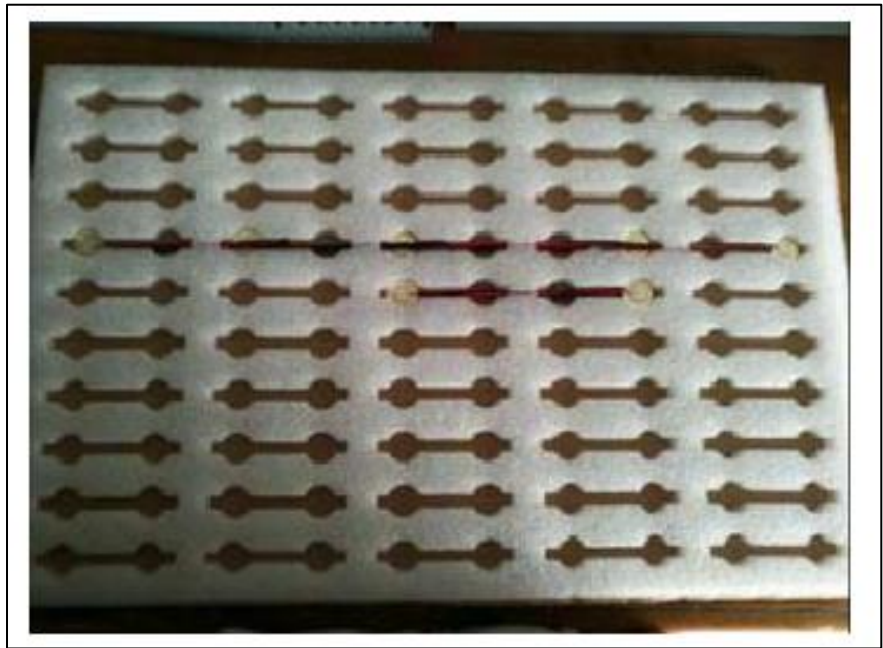
Dimensions



LEADWIRE:UL1571 AWG30

Packaging -

5pcs per hole,
25pcs per row,
250pcs per tray.



Specifications Revisions

Revision	Description	Date
-	RELEASED FROM ENGINEERING	12/12/16
A	REVISED TOTAL THICKNESS, OFFSET WIRE LENGTH	6/29/20

Note:

- Unless otherwise specified:
 - All dimensions are in millimeters.
 - Default tolerances are $\pm 0.5\text{mm}$ and angles are $\pm 3^\circ$.
- Specifications subject to change or withdrawal without notice.