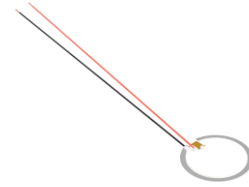




# PUIaudio



Data Sheet

HD-PAB2001-LW100

## Features:

- 20mm large displacement actuator
- Ideal for micropump applications

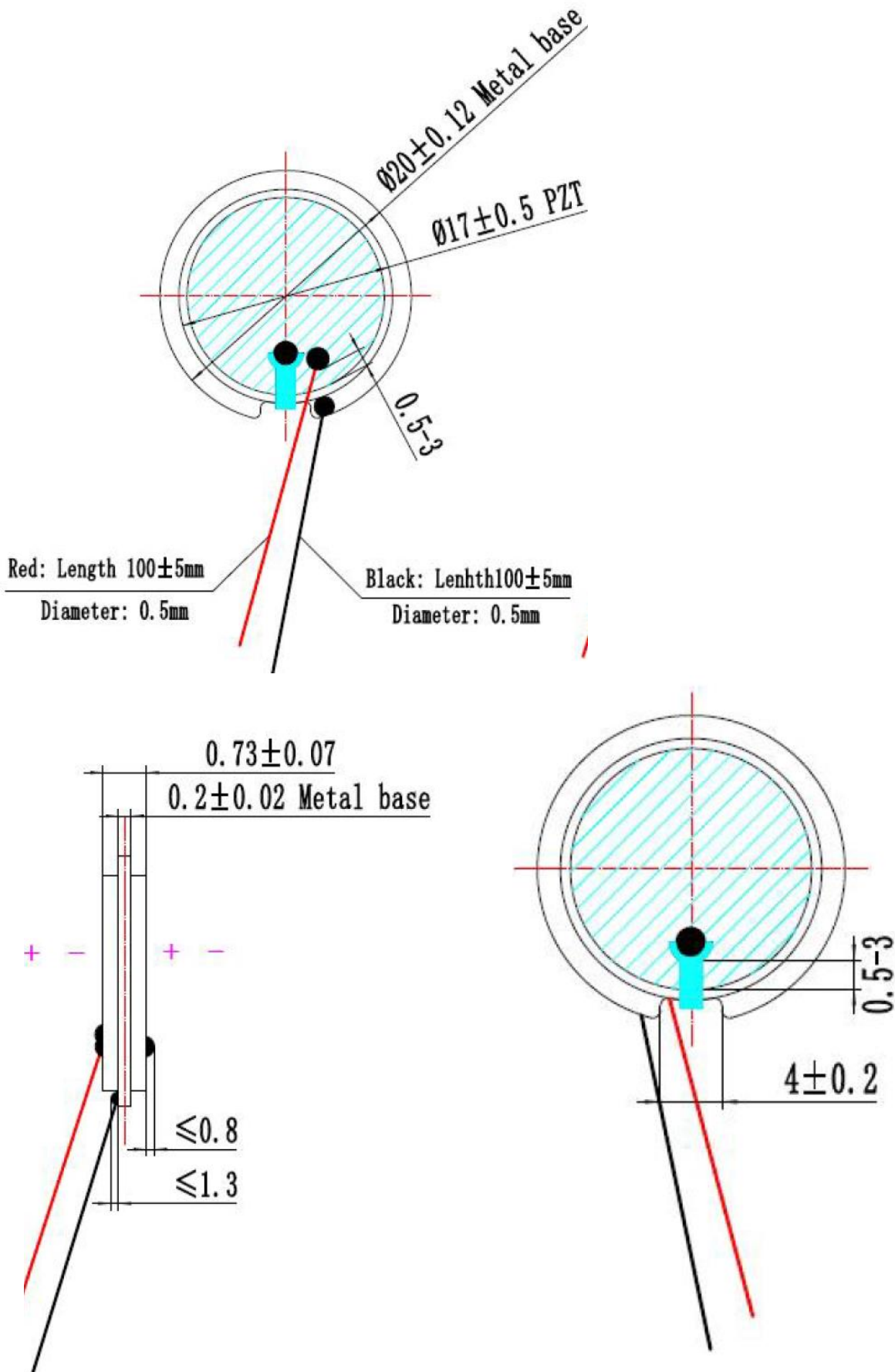
## Design:

- RoHS/REACH exempt PZT ceramics
- Actuator dimensions:  $\varnothing 20 \times 0.7$  (mm)

## Specifications

Parameters	Values	Units
Maximum Input Voltage	$\leq \pm 95$	V
Working Voltage Range	$\leq \pm 90$	V
Nominal Displacement	40	$\mu\text{M}$ (@1Hz, $\pm 90\text{VDC}$ )
Capacitance	$60,000 \pm 12$	pF (at 1V, 100Hz)
Storage Temperature	-20 ~ +75	$^{\circ}\text{C}$
Operating Temperature	-10 ~ +70	$^{\circ}\text{C}$
Environmental Compliances	RoHS/REACH	Exempt 7c-1
Soldering Methods	Lead-free silver tin solder, $\leq 280^{\circ}\text{C}$	

## Dimensions (PZT Ceramic (+), Metal Substrate (-))



## Packaging

Plastic tray box, 240 pcs/box

### Specifications Revisions

Revision	Description	Date
A	RELEASED FROM ENGINEERING	8/1/2023

Note:

- Unless otherwise specified:
  - All dimensions are in millimeters.
  - Default tolerances are  $\pm 0.5\text{mm}$  and angles are  $\pm 3^\circ$ .
- Specifications subject to change or withdrawal without notice.