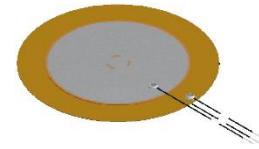




PUI audio

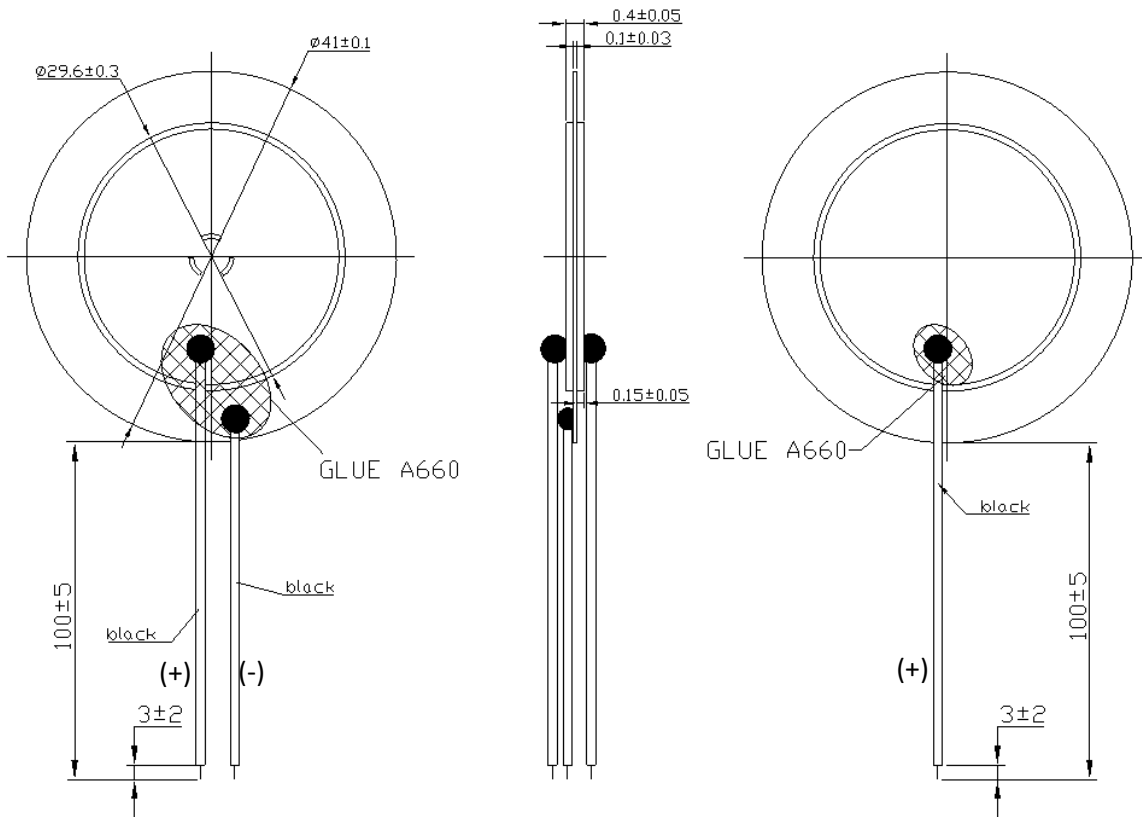


Data Sheet	AB4113B-LW100-R
------------	-----------------

Specifications

Parameters	Values	Units
Resonant Frequency	1,300±500	Hz
Resonant Impedance (Max)	200	Ohms
Max Input Voltage	30	Vp-p
Capacitance (@ 1,000 Hz)	150,000±25%	pF
Plate Material	Brass	-
Storage Temperature	-20 ~ +70	°C
Operating Temperature	-20 ~ +60	°C
Construction Type	Bimorph	-
Environmental Compliances	RoHS/REACH	Exempt. 7c-1
Weight	3	g

Dimensions (Polarity as marked)



Leadwire: UL1571 AWG32.

Packaging - 100pcs/Bag

Specifications Revisions

Revision	Description	Date	Approved
A	RELEASED FROM ENGINEERING	05/20/2013	-
B	Update Drawing Image with polarity notation, Added Construction Type, Added Weight	04/29/2024	M.L.

Note:

- Unless otherwise specified:
 - All dimensions are in millimeters.
 - Default tolerances are $\pm 0.5\text{mm}$ and angles are $\pm 3^\circ$.
- Specifications subject to change or withdrawal without notice.