

Data Sheet

AS08308CR-R

More than ever before, high quality audio is the determining factor that distinguishes your product from the fray. When the sound quality of your product is on the line, choose **High Fidelity** speakers from PUI Audio.

The eight ohm 83mm **AS08308CR-R** speaker is designed for high fidelity audio reproduction, high power handling, and features a magnetically shielded motor to prevent stray magnetic fields—focusing the BL product on the voice coil.

Features:

- Woven glass-fiber cone and rubber surround for weather resistance
- 15W max power handling
- High-energy shielded motor design for maximum sensitivity
- Capable of over 94 dB of output at 1 meter
- Ultra-wide frequency response

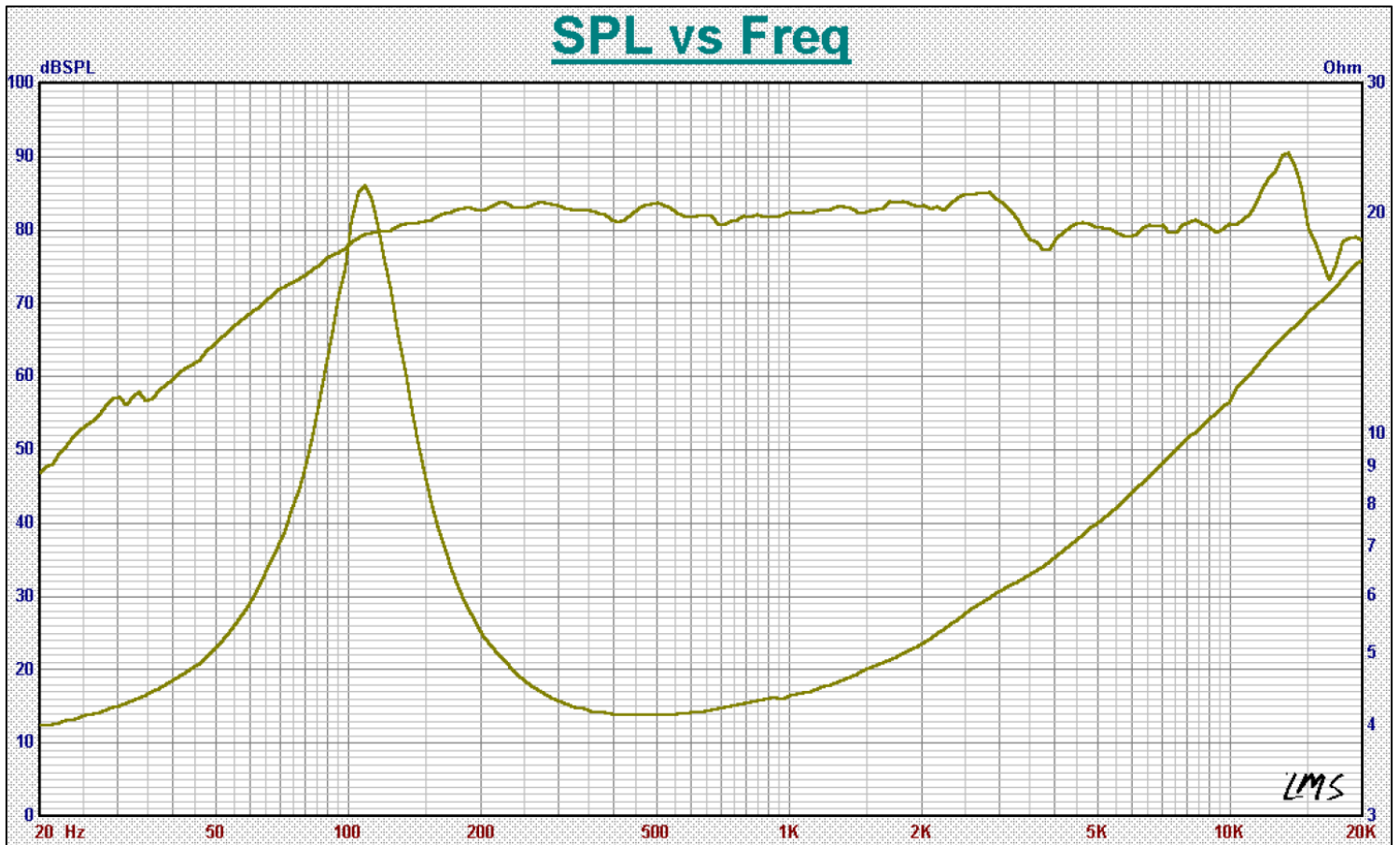
Specifications

Parameters	Values	Units
Rated Input Power	7	Watts
Max Input Power	15	Watts
Impedance	8 ± 15%	Ohms
Sensitivity (SPL @ 1W/1m) Average 0.5, 1.0, 2.0, 4.0 kHz	82 ± 3	dB
Resonant Frequency	109 ± 20%	Hz
Frequency Range (-10 dB)	70 ~ 20,000	Hz
Frame Material	Steel	-
Magnet Material	Dual Ferrite	-
Weight	280	Grams

Specifications (continued)

Buzz, Rattle, etc.	Should not be audible with 3.74V sine wave from 20 Hz to 20 kHz for 2.5 seconds	-
Polarity	When positive voltage is applied to the positive terminal, the diaphragm will move outward	-
Operating Temperature	-20 ~ +70	°C

Frequency and Impedance Response (IEC baffle with 2.83V input and microphone spaced at 1m)

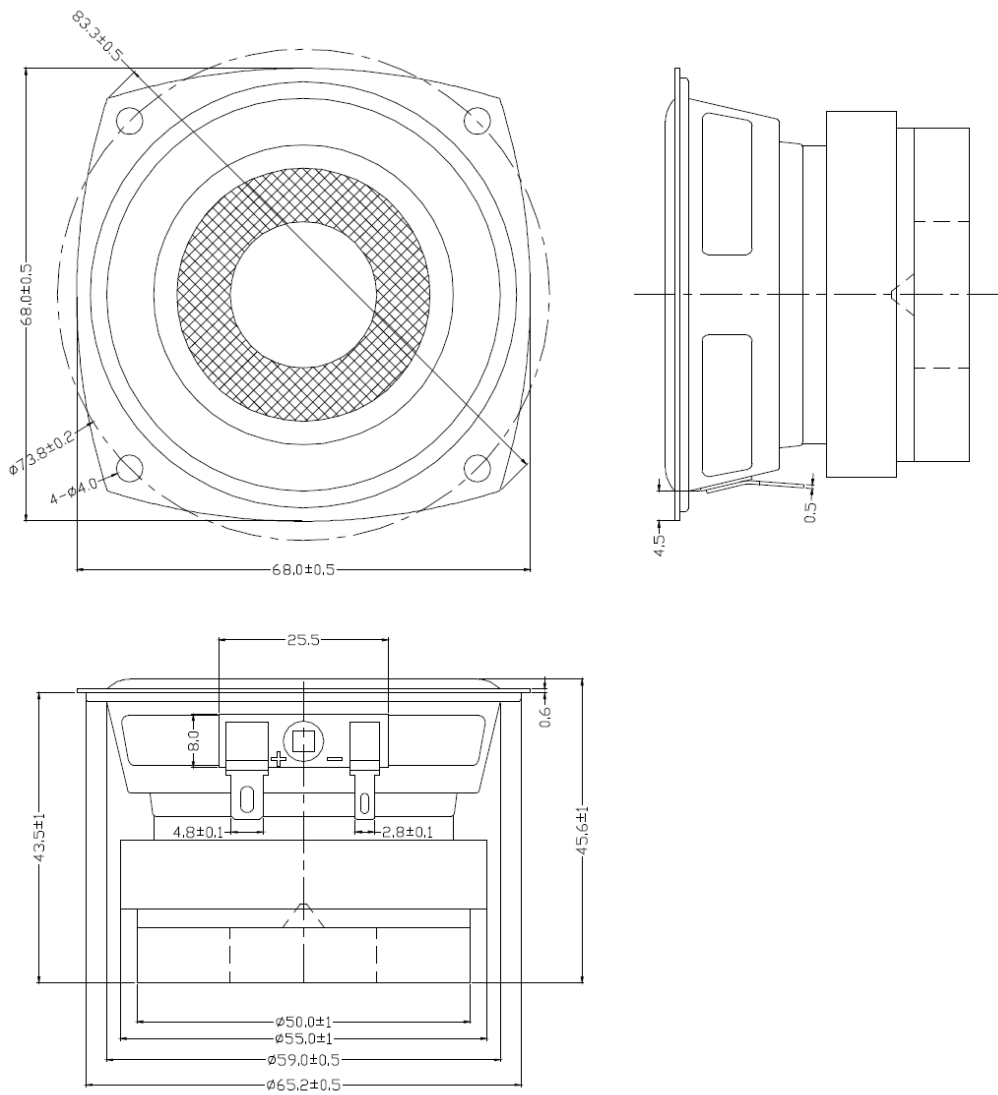


Reliability Testing

Type of Test	Test Specifications
High Temperature Test	48 hours at +70°C ± 2°C followed by three hours in normal room temperature
Low Temperature Test	48 hours at -20°C ± 2°C followed by three hours in normal room temperature
Humidity Test	48 hours at +40°C ± 3°C with relative humidity at 90%~95% followed by 6 hours in normal room temperature
Drop Test	600mm ±25mm at 60°±5°
Load Test	5.29V white noise signal applied for 48 hours

After each test, the speaker's SPL shall be ±3 dB of the original SPL

Dimensions (Left terminal is positive on the bottom drawing below)



Specifications Revisions

Revision	Description	Date
-	Released from Engineering	2/10/2017

Note:

1. Unless otherwise specified:
 - A. All dimensions are in millimeters.
 - B. Default tolerances are $\pm 0.5\text{mm}$ and angles are $\pm 3^\circ$.
2. Specifications subject to change or withdrawal without notice.
3. This part is RoHS 2011/65/EU Compliant.