



PUI audio



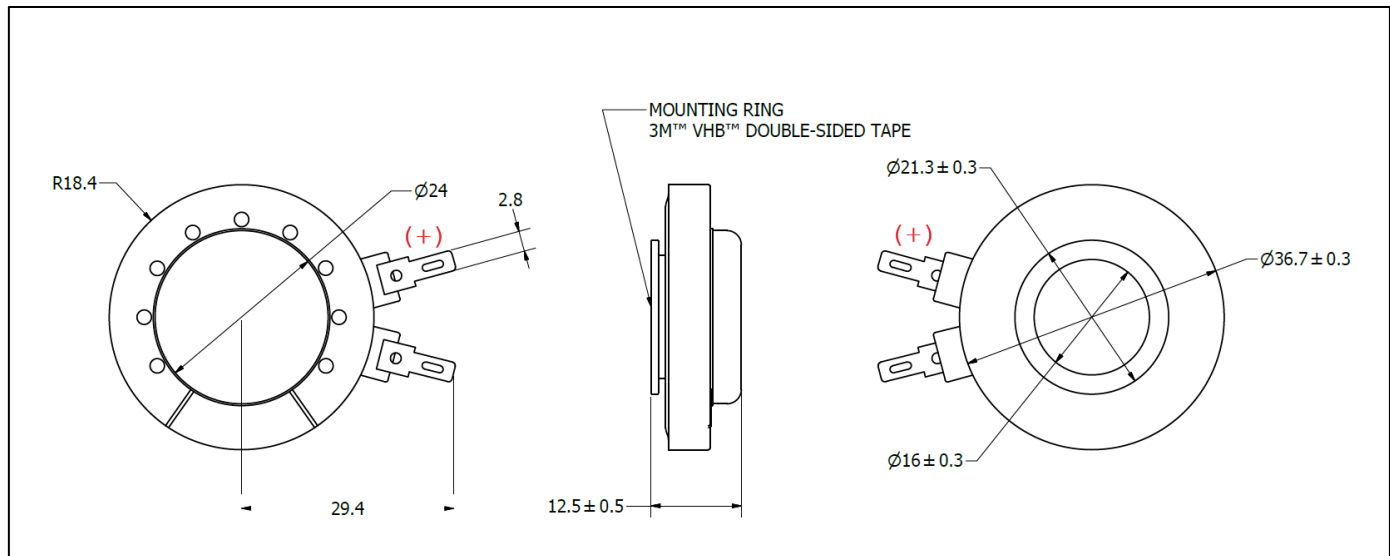
Data Sheet

ASX03608-R

Specifications

Parameters	Values	Units
Rated Input Power	3	Watts
Max Input Power	5	Watts
Impedance	$8 \pm 15\%$	Ohms
Avg. SPL (1W/0.1m on 4mm thick PLA panel; 0.5, 1.0, 2.0, 5.0 kHz)	85	dB(A)
Resonant Frequency (f_0)	$400 \pm 20\%$	Hz
Frequency Range	$f_0 \sim 10,500$	Hz
Magnet Material	NdFeB	-
Operating Temperature	$-20 \sim +60$	°C
Weight	14	Grams
Environmental Compliances	RoHS/REACH	-

Dimensions (Tolerance: $\pm 0.5\text{mm}$, unless otherwise specified; Polarity as marked.)



Specifications Revisions

Revision	Description	Date	Approved
-	Released from Engineering	05/28/2016	-
A	Added Note 4	06/27/2016	B.R.
B	Revised Specification Template and Added Polarity Indication	04/18/2024	K.M.

Note:

1. Unless otherwise specified:
 - A. All dimensions are in millimeters.
 - B. Default tolerances are $\pm 0.5\text{mm}$ and angles are $\pm 3^\circ$.
2. Specifications subject to change or withdrawal without notice.
3. For applications that are to be subjected to external force, shock, or vibration, PUI recommends mechanical reinforcement to ensure rigid coupling beyond that provided by the 3M VHB F-9473PC 2-sided tape.