



Data Sheet

AI-2334-TT-2-R

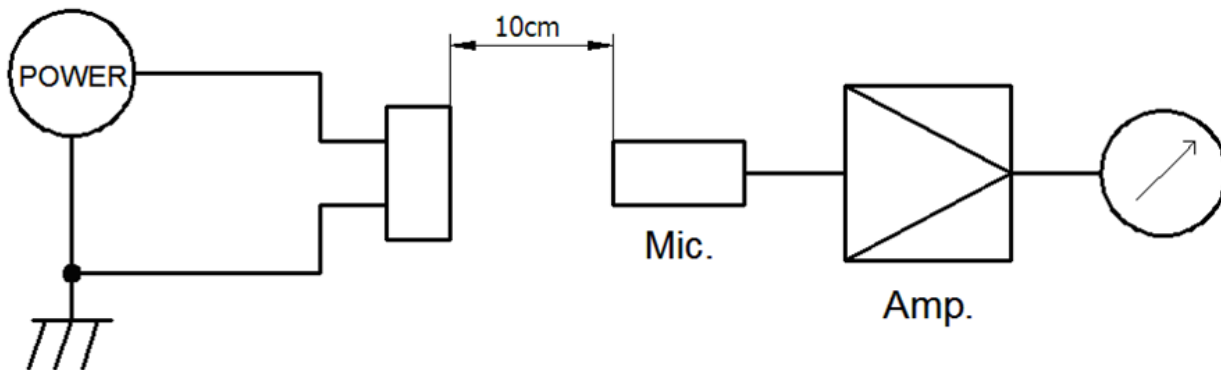
Features:

- 90 dB output with 12VDC input
- Continuous 3.4 kHz tone
- Draws 15 mA of current at 12 VDC

Specifications

| Parameters | Values | Units |
|-------------------------------|-------------|-------|
| Rated Voltage | 12 | VDC |
| Operating Voltage Range | 3 ~ 28 | VDC |
| Current Draw at Rated Voltage | ≤15 | mA |
| Minimum SPL @ 10cm | ≥90 | dBa |
| Resonant Frequency | 3400±500 | Hz |
| Tone or Pulse Rate | Continuous | - |
| Housing Material | PBT | - |
| Weight | 2.7 | Grams |
| Acceptable Soldering Methods | Hand Solder | - |
| Environmental Compliances | RoHS | - |
| Storage Temperature | -40 ~ +90 | °C |
| Operating Temperature | -40 ~ +85 | °C |

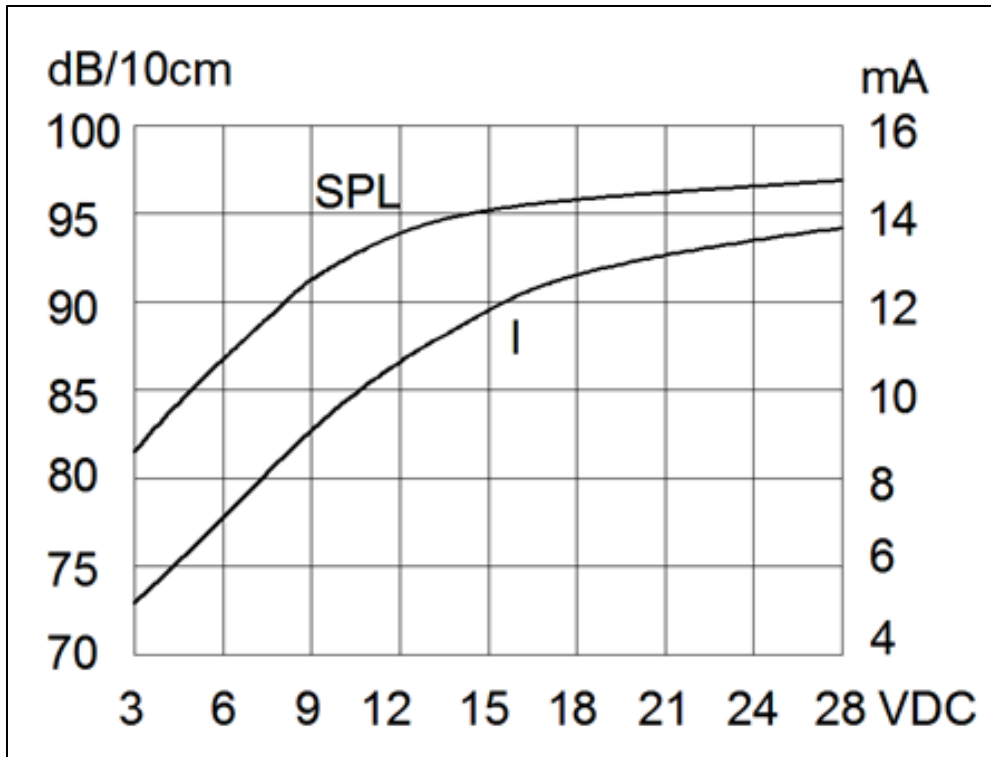
Measurement Method (12 VDC with SPL meter at 10cm)



MIC: ND10 Sound Meter or equivalent

DC Power Supply: QJ6003S or equivalent

Typical SPL and Current Draw vs Input Voltage

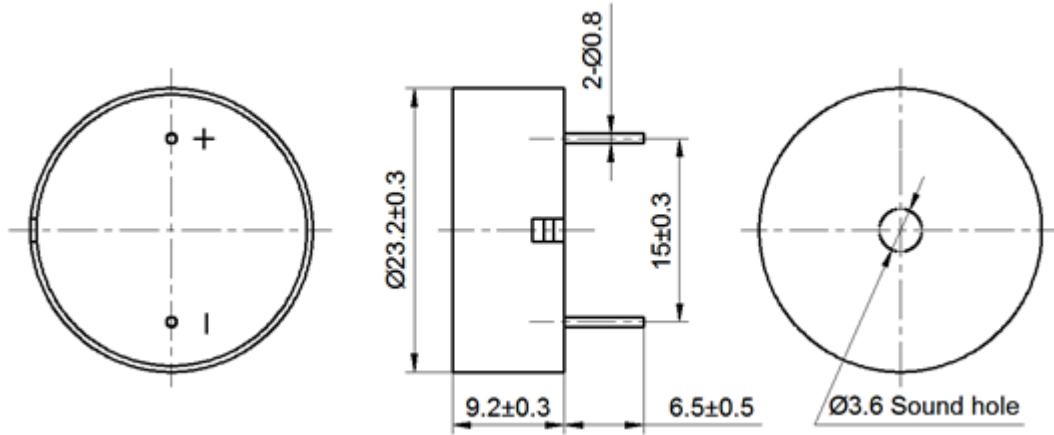


Reliability Testing

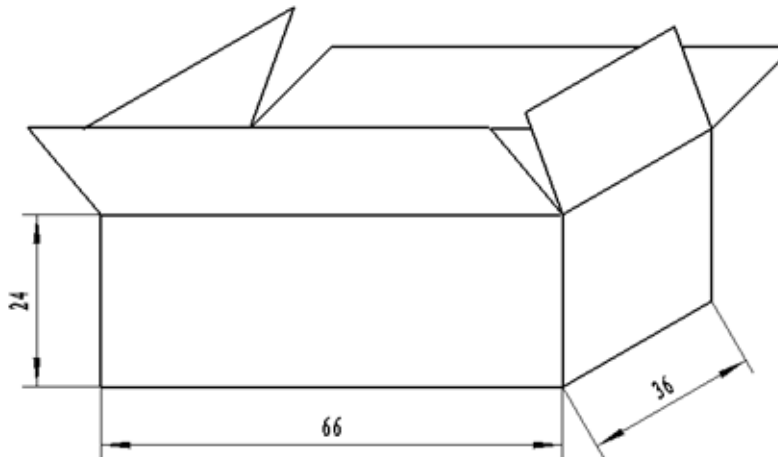
| Type of Test | Test Specifications |
|---------------------------|--|
| High Temperature Test | +90±2°C, 96Hrs |
| Low Temperature Test | -40±2°C, 96Hrs |
| Humidity Test | 40±2°C, 93(+2/-3) % RH for 96Hrs |
| Temperature Cycle Testing | -40±2°C, 30minutes +20±2°C, 15 minutes +90±2°C, 30 minutes +20±2°C, 15 minutes 5 cycles total |
| Vibration Test | 10 to 55 Hz band of vibration to each of 3 perpendicular directions for 2 hrs. |
| Drop Test | The part shall be dropped from a height of 70cm onto a 10mm thick wooden board; 3 times in 3 axial directions (x, y & z) (a total of 9 times). |

After being placed for 2 to 4hrs at room temp, the product shall meet specifications, except the SPL should be within ±10dB compared with initial value.

Dimensions (Tolerance: $\pm 0.5\text{mm}$ unless specified)



Packaging



NOTES:

- 1.50 PCS per box
- 2.Total 40 boxes per carton
- 3.Total 2000 PCS carton
- 4.Volume: $66 * 36 * 24\text{cm}$

Specifications Revisions

| Revision | Description | Date |
|-----------------|---------------------------|-------------|
| - | Released from Engineering | 4/2/20 |

Note:

- 1. Unless otherwise specified:
 - A. All dimensions are in millimeters.
 - B. Default tolerances are $\pm 0.5\text{mm}$ and angles are $\pm 3^\circ$.
- 2. Specifications subject to change or withdrawal without notice.