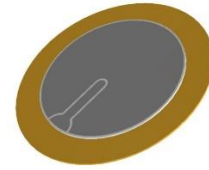




PUIaudio

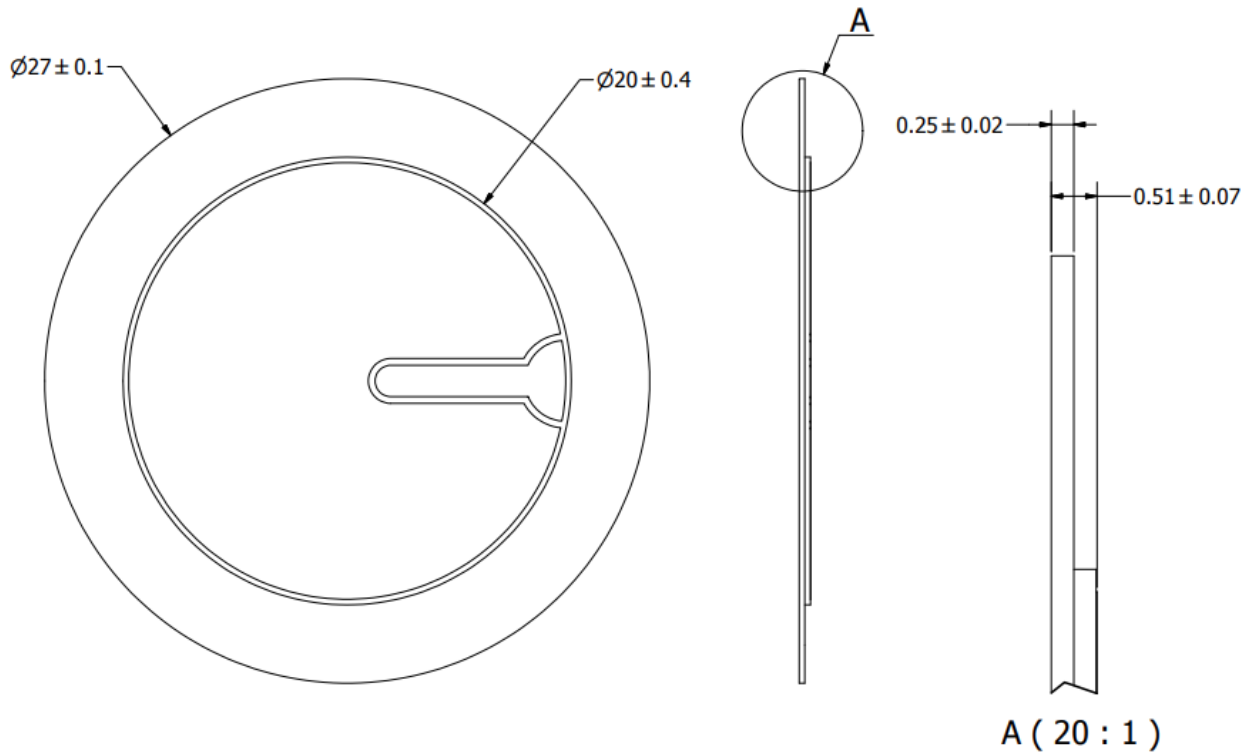


Data Sheet	AB2745BF
------------	----------

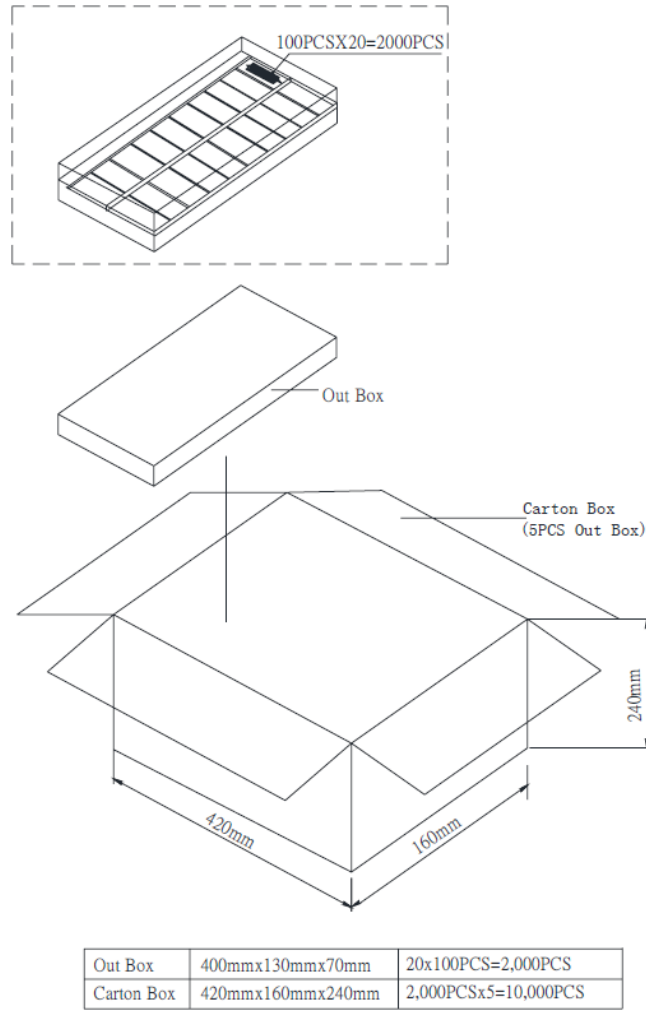
Specifications

Parameters	Values	Units
Resonant Frequency	4,500 ± 500	Hz
Resonant Impedance (Max)	500	Ohms
Max Input Voltage	20	Vp-p
Capacitance (@ 1kHz)	16,000 ± 30%	pF
Plate Material	Brass	-
Storage Temperature	-30 ~ +80	°C
Operating Temperature	-20 ~ +70	°C
Environmental Compliances	RoHS/REACH	Exempt. 7c-1

Dimensions



Packaging



Specifications Revisions

Revision	Description	Date
-	RELEASED FROM ENGINEERING	4/11/2002
A	REVISED TO NEW TEMPLATE	9/4/2003
B	REVISED SPECIFICATIONS	1/13/2004
C	REVISED DIMENSION SIZE AND STYLE	1/24/2006
D	REVISED TO INVENTOR 3-D DRAWING TEMPLATE	8/17/2007

Note:

1. Unless otherwise specified:
 - A. All dimensions are in millimeters.
 - B. Default tolerances are $\pm 0.5\text{mm}$ and angles are $\pm 3^\circ$.
2. Specifications subject to change or withdrawal without notice.