



# PUIaudio



Data Sheet

AB2063BF-LW50

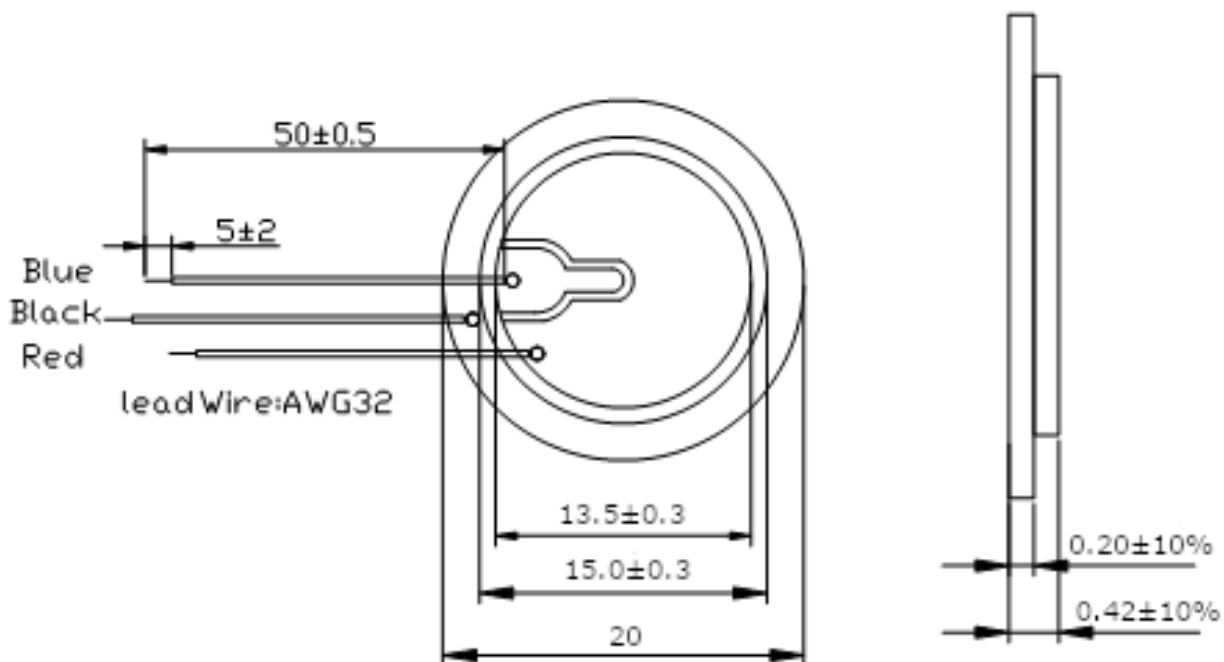
## Features:

- Ultrathin and lightweight 20mm feedback bender
- 6,300 Hz resonant frequency
- Lead wires for easy installation

## Specifications

Parameters	Values	Units
Resonant Frequency	6,300 ± 600	Hz
Resonant Impedance (Max)	800	Ohms
Max Input Voltage	30	Vp-p
Capacitance (@ 120 Hz)	8,500 ± 30%	pF
Plate Material	Brass	-
Storage Temperature	-30 ~ 80	°C
Operating Temperature	-20 ~ 70	°C
Environmental Compliances	RoHS/REACH	Exempt. 7c-1

## Dimensions



## Packaging

100pcs/bag, paper box packaging

### Specifications Revisions

Revision	Description	Date	Approved
A	Released from Engineering	3/6/2024	JD

Note:

- Unless otherwise specified:
  - All dimensions are in millimeters.
  - Default tolerances are  $\pm 0.5\text{mm}$  and angles are  $\pm 3^\circ$ .
- Specifications subject to change or withdrawal without notice.