



PUI audio



Data Sheet

AI-3035-TWT-3V-R

Features:

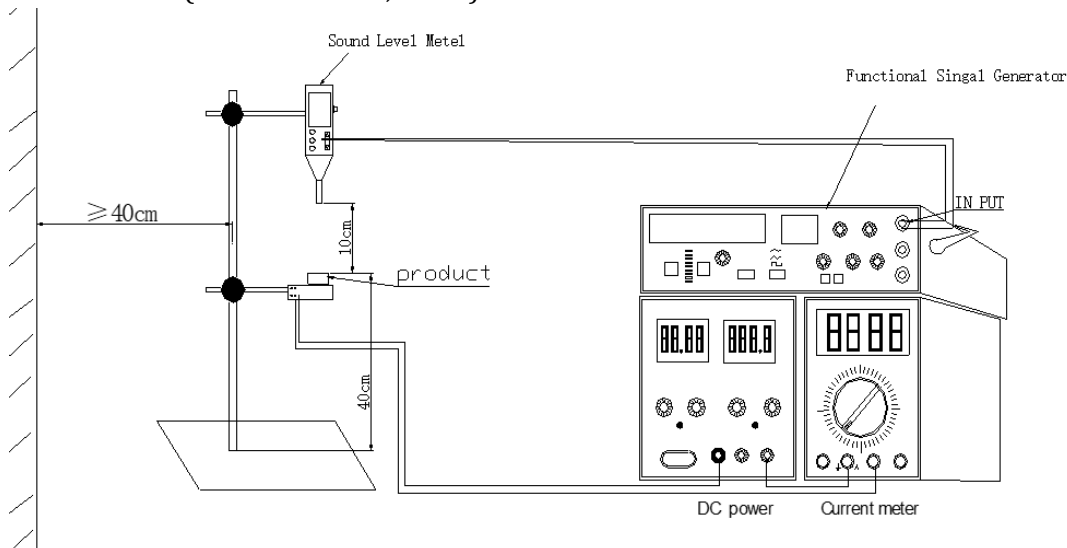
- Piezo Indicator
- 3VDC rated, 3500Hz
- Top-Firing Thru-Hole Type
- Wave Solder and Wash allowed

Specifications

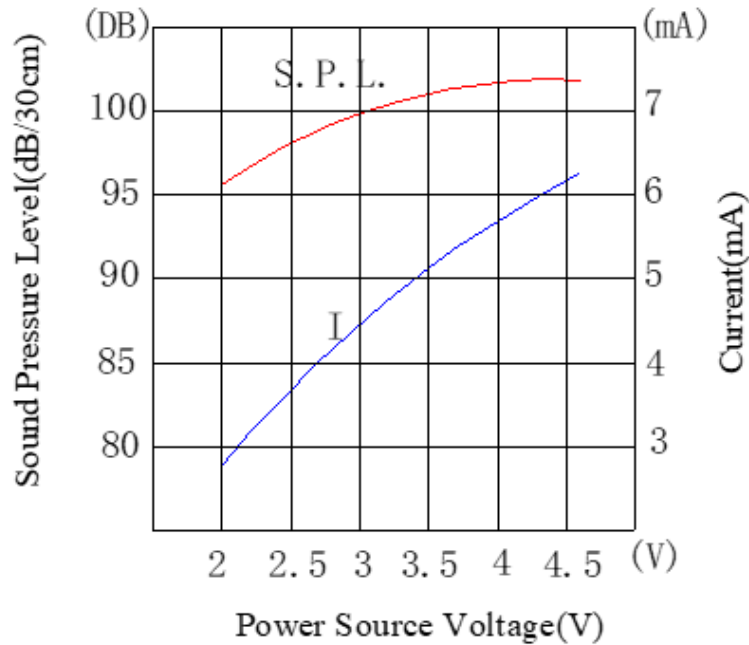
Parameters	Values	Units
Rated Voltage	3	VDC
Operating Voltage Range	2 ~ 5	VDC
Current Draw at Rated Voltage	9(Max.)	mA
Minimum SPL @ 10cm	100	dBA
Resonant Frequency	3,500 ± 500	Hz
Tone or Pulse Rate	Continuous	-
Housing Material	PBT	-
Terminal Material	Sn Plated Copper(DSn)	-
Weight	8	Grams
Acceptable Soldering Methods	Hand Solder, Wave Solder	-
Environmental Compliances	RoHS/REACH	Ex. 7c-1
Storage Temperature	-40 ~ +85	°C
Operating Temperature	-30 ~ +70	°C

Measurement Method (Temperature: 25±3°C; Relative Humidity: 60% ~ 70%)

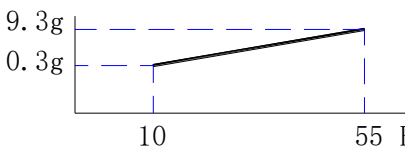
Standard Test Fixture (Distance: 10cm, 3VDC)



Typical SPL vs Input Voltage

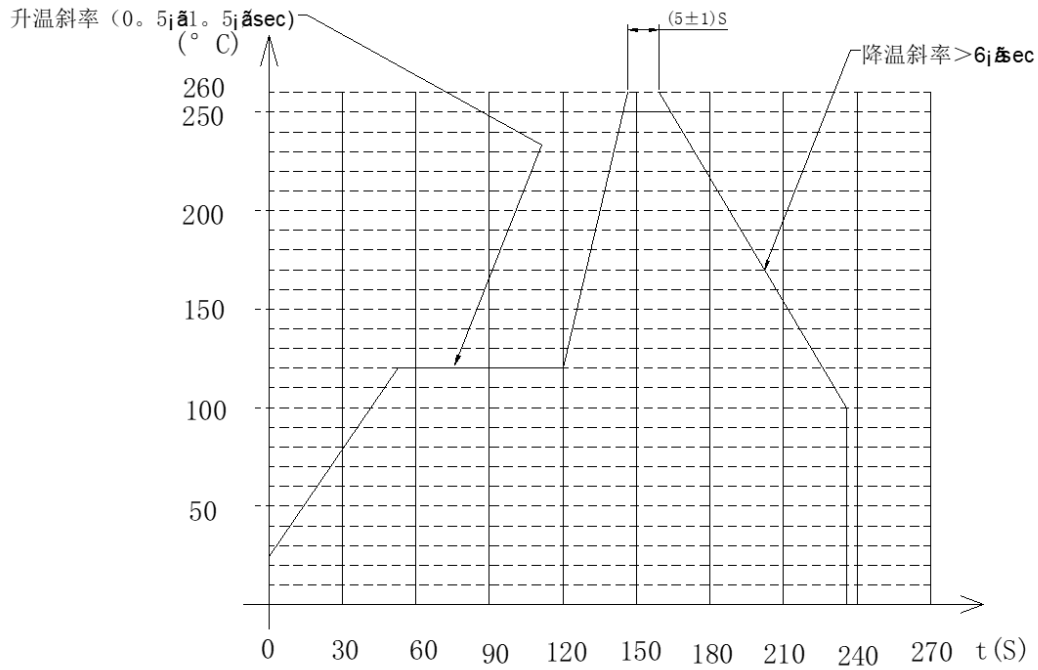


Reliability Testing

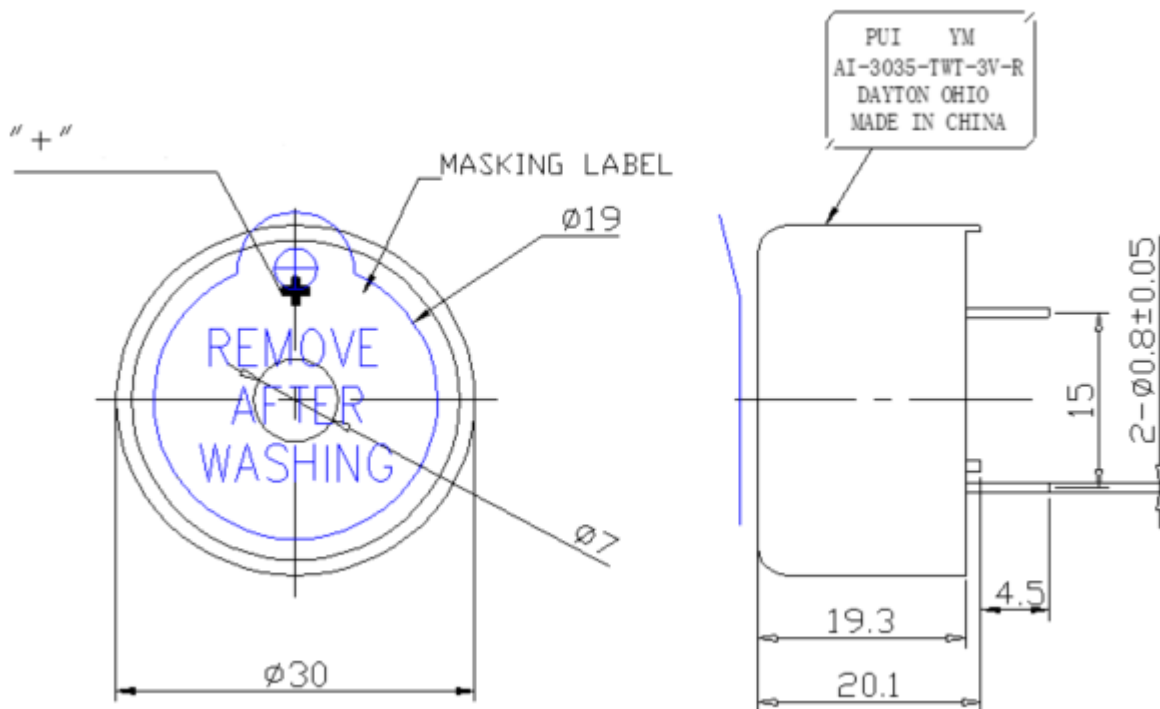
Type of Test	Test Specifications
High Temperature Test	Storage in $+85^{\circ}\text{C} \pm 2^{\circ}\text{C}$ test box for 96 hours, then expose to the room temperature for 2 hours without applying power.
Low Temperature Test	Storage in $-40^{\circ}\text{C} \pm 2^{\circ}\text{C}$ test box for 96 hours, then expose to the room temperature for 2 hours without applying power.
Humidity Test	Storage in $+40^{\circ}\text{C} \pm 2^{\circ}\text{C}$ 90-95%RH test box for 96 hours, then expose to the room temperature for 2 hours without applying power.
Temperature Cycle Testing	Make this test for 5 cycles without applying power, then expose to the room temperature for 2 hours.
Vibration Test	<div style="display: flex; align-items: center;">  <div style="margin-left: 20px;"> <p>Amplitude: 1.5mm Time : 1min/axis</p> </div> </div> <p>Make this test for the directions of X, Y, Z for 2 hours each (total 6 hours)</p>
Drop Test	Free drop a unit from the height 70cm to the surface of 10mm thick board, three directions (X, Y, Z).

Part shall pass tests within SPL of $\pm 5\text{dB}$.

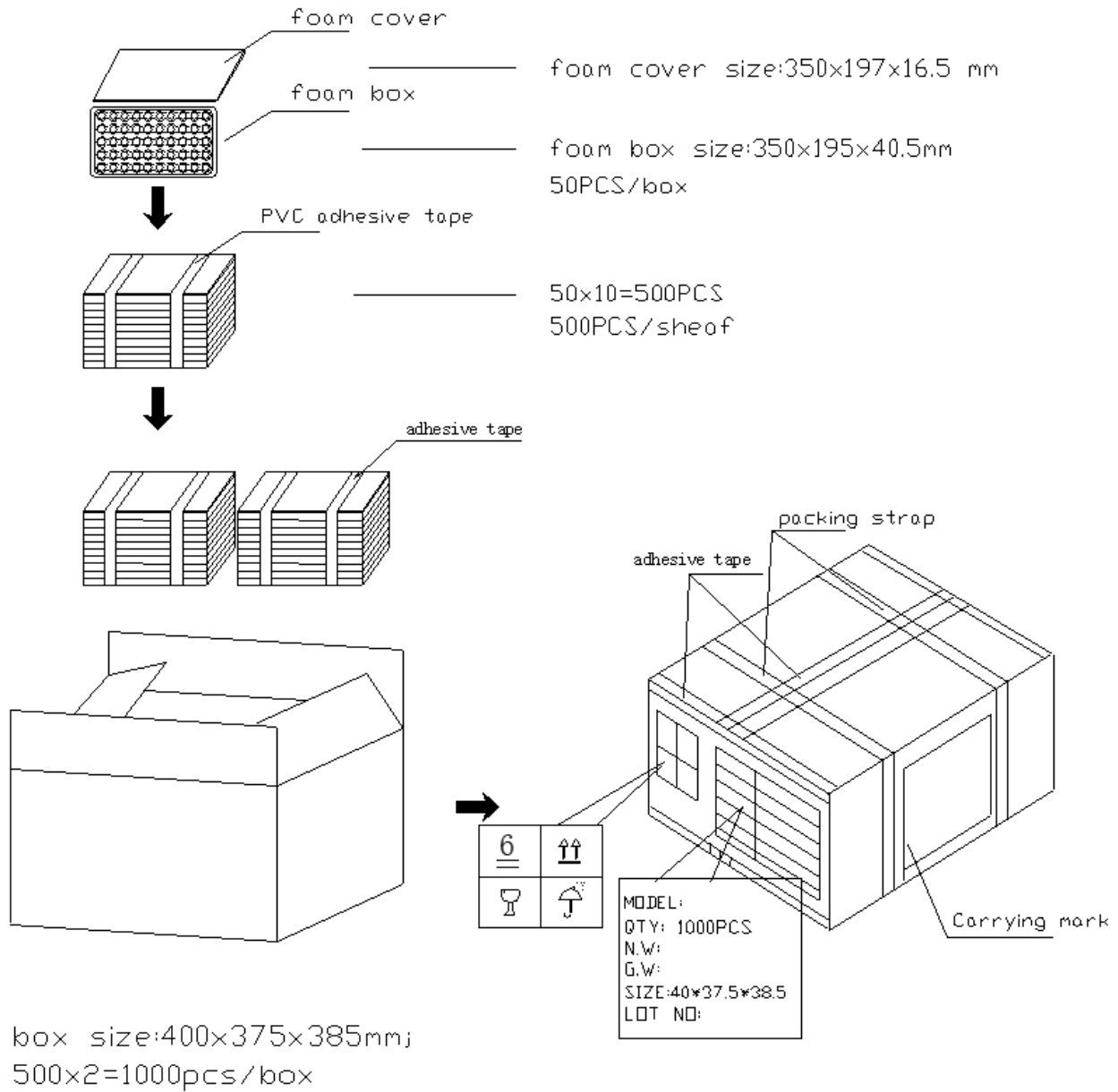
Recommended Wave Solder Profile



Dimensions



Packaging



Specifications Revisions

Revision	Description	Date	Approved
-	RELEASED FROM ENGINEERING	03/22/2006	-
A	REVISED BODY HEIGHT DIMENSION	04/18/2008	BR
B	REVISED TO INVENTOR 3D DRAWING TEMPLATE	06/14/2008	BR
C	REVISED HEIGHT AND STANDOFF DIMENSIONS	09/23/2011	ML
D	NEGATIVE POLARITY MARK REMOVED POSITIVE POLARITY MARK RECESSED	07/06/2011	MV
E	REVISED HOUSING DIMENSIONS	08/21/2017	ML
F	Update Spec Format, Add Details for Reliability, Packaging, Etc.	07/23/2024	ML

Note:

1. Unless otherwise specified:
 - A. All dimensions are in millimeters.
 - B. Default tolerances are $\pm 0.5\text{mm}$ and angles are $\pm 3^\circ$.
2. Specifications subject to change or withdrawal without notice.