

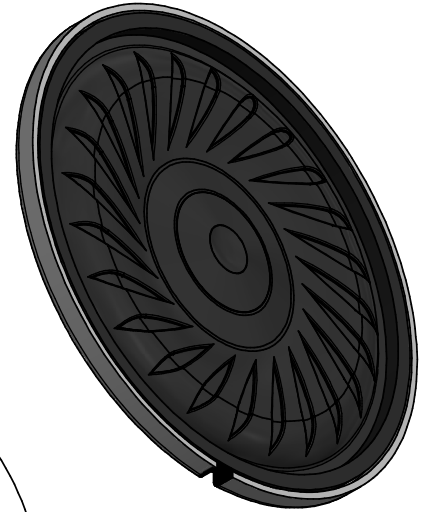
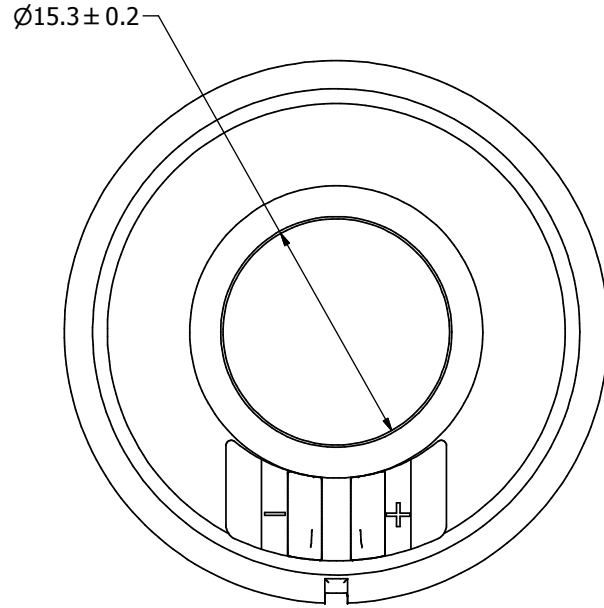
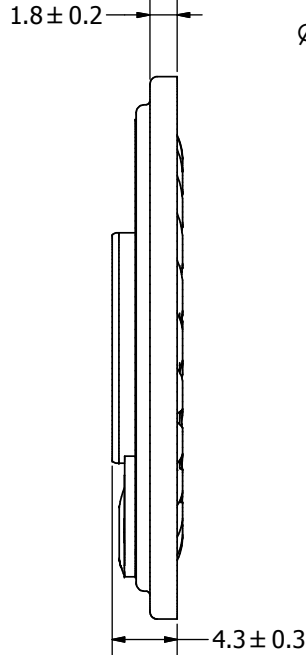
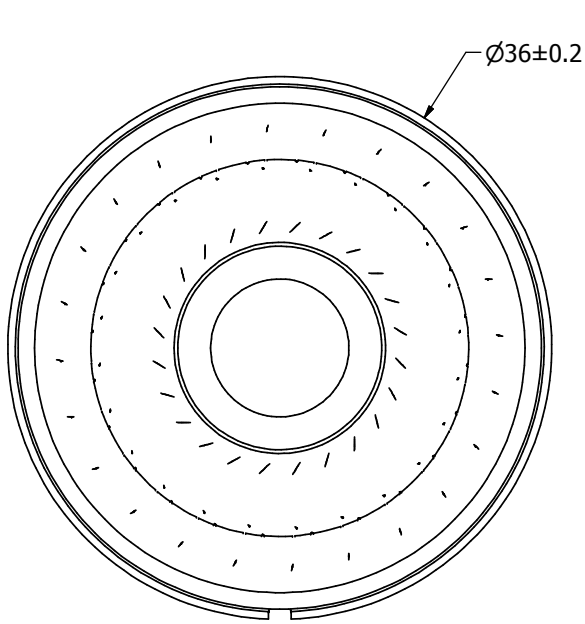
SPECIFICATIONS

| PARAMETERS | VALUES | UNITS |
|---|--------------|-------|
| RATED INPUT POWER | 0.8 | W |
| MAX INPUT POWER | 1 | W |
| IMPEDANCE | 8 ± 15% | OHM |
| OUTPUT SPL @ 1W/0.5M (AT 0.6, 0.8, 1.0, 1.2 kHz) | 85 ± 3 | dB |
| DISTORTION (MAX.) | 5% | - |
| RESONANT FREQUENCY | 450 ± 20% | Hz |
| FREQUENCY RANGE | 450 ~ 20,000 | Hz |
| HOUSING MATERIAL | METAL | - |
| CONE MATERIAL | MYLAR | - |
| MAGNET MATERIAL | N35 | - |
| OPERATING TEMPERATURE | -20 ~ +105 | °C |
| WEIGHT | 5.2 | grams |

THIS DOCUMENT CONTAINS DATA PROPRIETARY TO PROJECTS UNLIMITED, INC. ANY USE OR REPRODUCTION, IN ANY FORM, WITHOUT PRIOR WRITTEN PERMISSION OF PROJECTS UNLIMITED, INC. IS PROHIBITED.
©2003, Projects Unlimited Inc.


REVISION HISTORY

| LTR | DESCRIPTION | DATE | APPROVED |
|-----|---------------------------|-----------|----------|
| - | RELEASED FROM ENGINEERING | 1/12/2017 | |



NOTES:

1. ALL DIMENSIONS ARE IN MILLIMETERS.
2. SPECIFICATIONS SUBJECT TO CHANGE OR WITHDRAWAL WITHOUT NOTICE.
3. THIS PART IS RoHS 2011/65/EU COMPLIANT.

| | | | | | | | | | |
|--|-------------------|--|-----------|-------------------------|-----------|-------------|-----------|--------------|----------------|
| UNLESS OTHERWISE SPECIFIED: DIMENSIONS ARE IN MILLIMETERS, TOLERANCES ARE ±0.5 AND ANGLES ARE ±3°. | SIZE A3 | Designed by | Date | Checked by | Date | Approved by | Date | Drawn Date | |
| | | M.V. | 1/12/2017 | M.V. | 1/12/2017 | B.R. | 1/12/2017 | 1/12/2017 | |
| AS03608MR-4-HT-R.idw | |  pui audio a projects unlimited company | | AS03608MR-4-HT-R | | | Speaker | Edition - | Sheet 1 / 1 |