



# PUI audio



Data Sheet

AT-1426-ST-R

## Features:

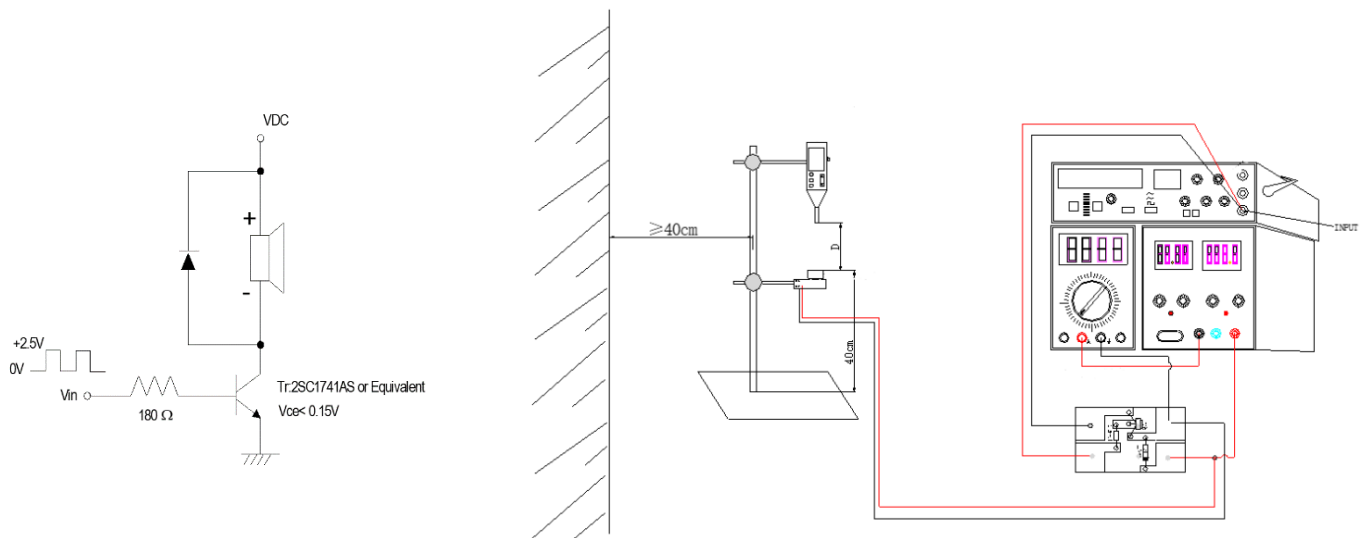
- 1.5V0-pk, 2048Hz Magnetic Transducer

## Specifications

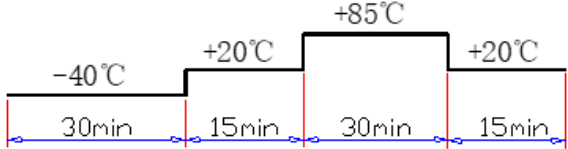
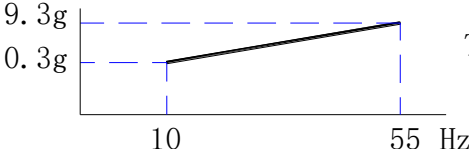
Parameters	Values	Units
Rated Voltage	1.5	V0-p
Operating Voltage Range	1 ~ 3	V0-p
Current Draw at Rated Voltage	70(max.)	mA
Coil Resistance	6.5±1	Ohms
Minimum SPL @ 10cm	90	dBA
Resonant Frequency	2,650±500	Hz
Housing Material	NORYL	-
Terminal Material	Sn Plated Copper	-
Weight	2	Grams
Acceptable Soldering Methods	Hand Solder, Wave Solder	-
Environmental Compliances	RoHS/REACH	-
Storage Temperature	-40 ~ +85	°C
Operating Temperature	-30 ~ +70	°C

## Measurement Method (Temperature: 25±3°C; Relative Humidity: 60% ~ 70%)

Standard Test Fixture (Distance: 10cm, 1.5 V0-p, 2650Hz square wave)

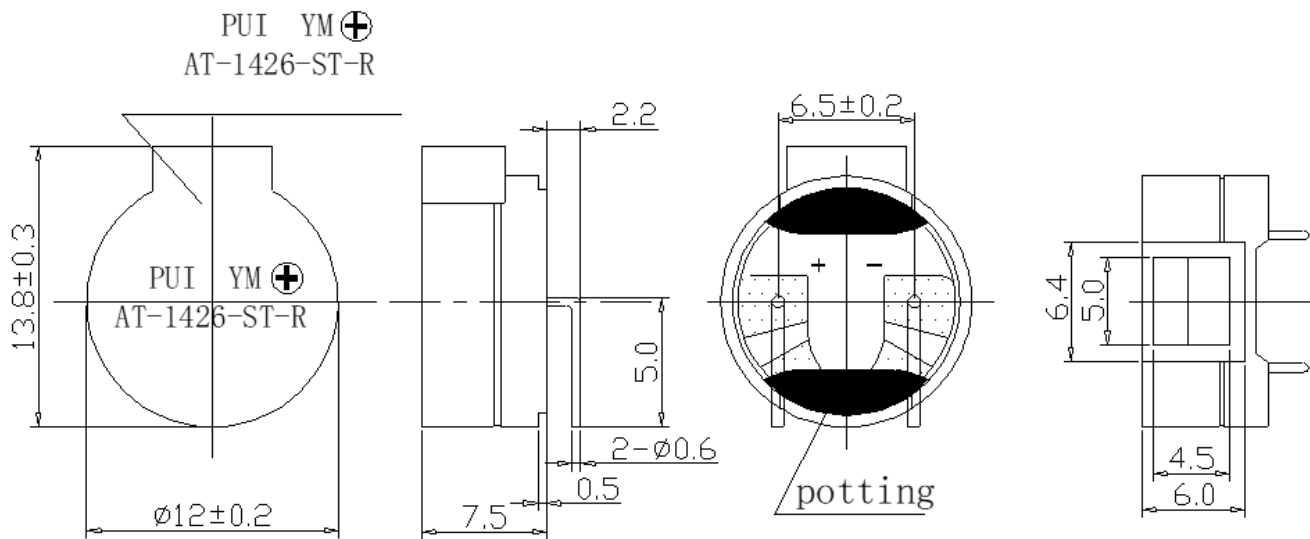


## Reliability Testing

Type of Test	Test Specifications
High Temperature Test	96 hours at +85°C±2°C then rest at room temperature for 2 hours without applying power
Low Temperature Test	96 hours at -40°C±2°C then rest at room temperature for 2 hours without applying power
Humidity Test	96 hours at +40°C±2°C with relative humidity at 90-96% then rest at room temperature for 2 hours without applying power
Temperature Cycle Testing	 <p>Test for 5 cycles without applying power, then expose to room temperature for 2 hours</p>
Vibration Test	 <p>Amplitude: 1.5mm Time : 1min/axis</p> <p>In X,Y,Z directions for 2 hours each (6 hours total)</p>
Drop Test	Drop a piece from a height of 1m to the surface of a 10mm thick board, drop the piece on the X, Y, Z axis

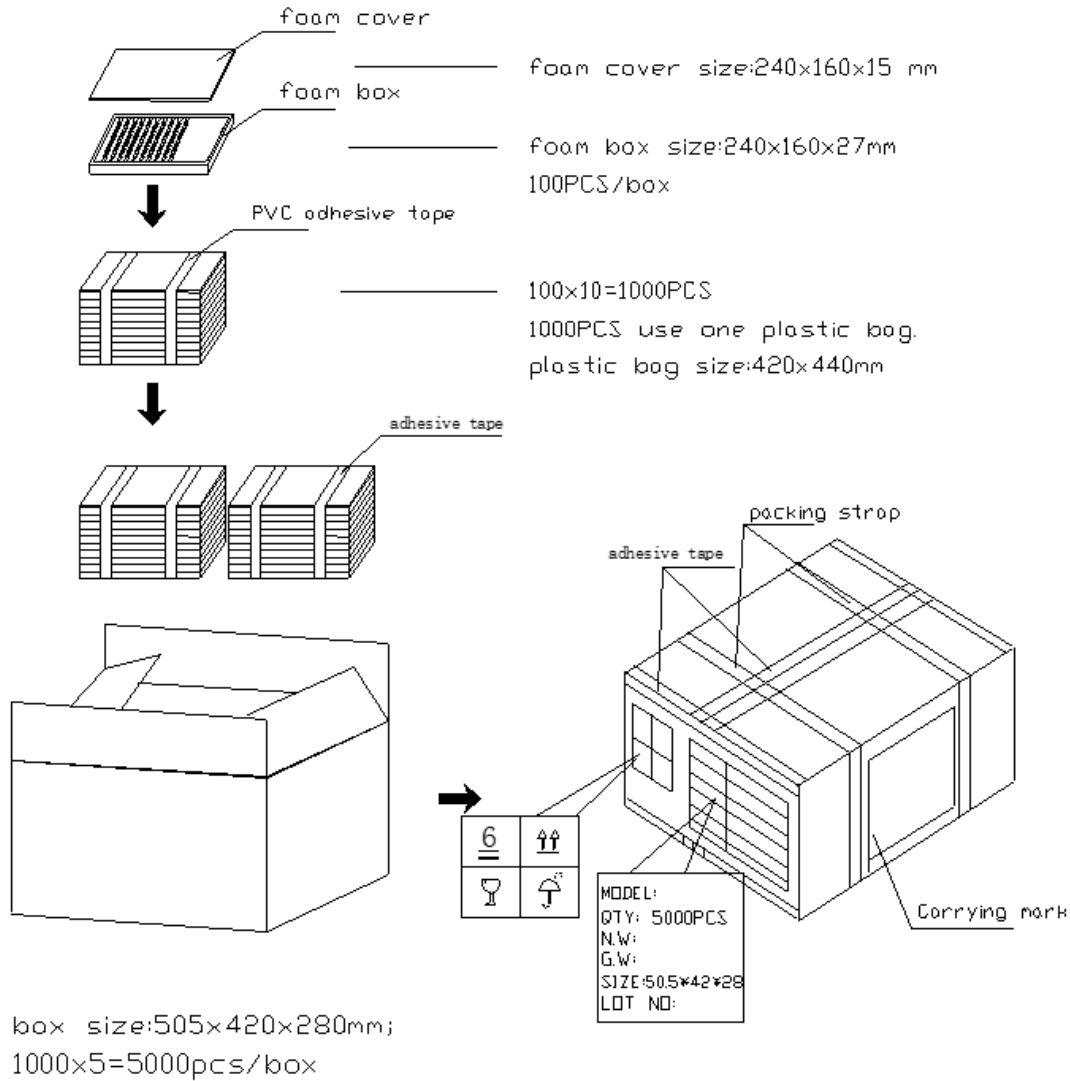
**After these tests, the piece should test within ± 5dB of the original SPL**

## Dimensions



**\*Wave Solder Allowed, Wash Not Allowed.**

## Packaging



### Specifications Revisions

Revision	Description	Date	Approved
A	RELEASED FROM ENGINEERING	09/23/2011	-
B	Update Specification Format, Update drawing image, Revised Voltage Units	04/18/2024	M.L

Note:

- Unless otherwise specified:
  - All dimensions are in millimeters.
  - Default tolerances are  $\pm 0.5\text{mm}$  and angles are  $\pm 3^\circ$ .
- Specifications subject to change or withdrawal without notice.