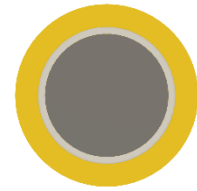




PUIaudio



Data Sheet

AB2036B-2

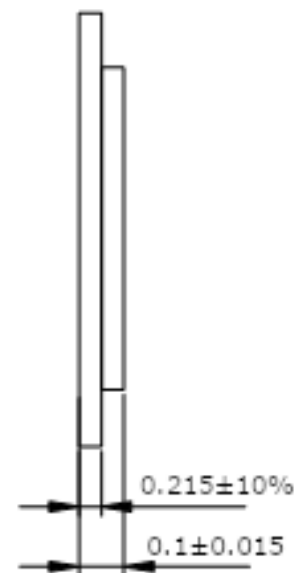
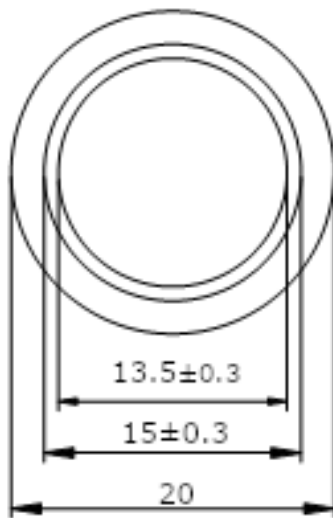
Features:

- Ultrathin and lightweight 20mm bender
- 3,600 Hz resonant frequency
- Low Power consumption

Specifications

Parameters	Values	Units
Resonant Frequency	$3,600 \pm 600$	Hz
Resonant Impedance (Max)	≤ 500	Ohms
Max Input Voltage	30	Vp-p
Capacitance (@ 120 Hz)	$20,000 \pm 30\%$	pF
Plate Material	Brass	-
Storage Temperature	-30 ~ 70	°C
Operating Temperature	-20 ~ 70	°C
Environmental Compliances	RoHS/REACH	Exempt. 7c-1

Dimensions



Packaging

100pcs/roll, foam packaging
20 rolls/layer = 2000pcs
total 5 layers = 10,000pcs

Specifications Revisions

Revision	Description	Date	Approved
A	Released from Engineering	3/6/2024	JD

Note:

- Unless otherwise specified:
 - All dimensions are in millimeters.
 - Default tolerances are $\pm 0.5\text{mm}$ and angles are $\pm 3^\circ$.
- Specifications subject to change or withdrawal without notice.