



PUIaudio



Data Sheet

AI-1224-TWT-5V-R

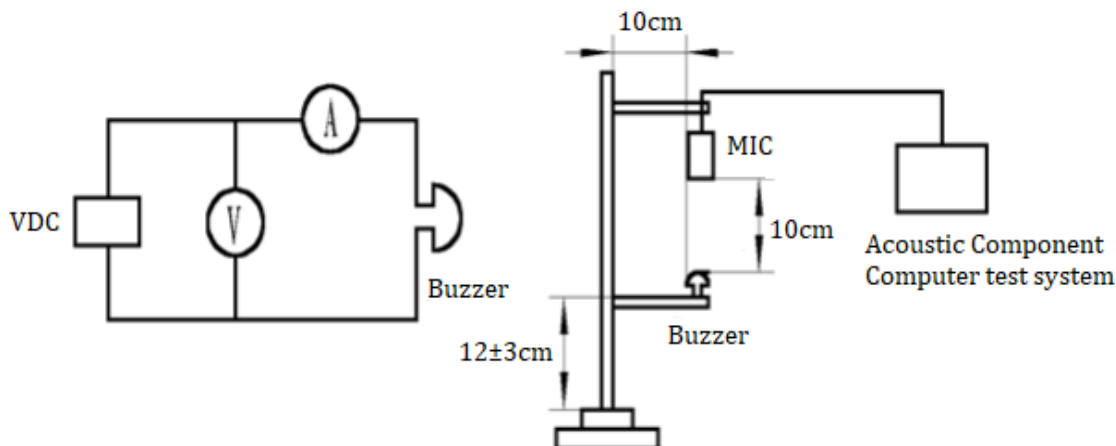
Features:

- Small 12mm diameter X 7.5mm height
- Minimum 85 dB output at 10cm
- Wave Solder and Washing Allowed

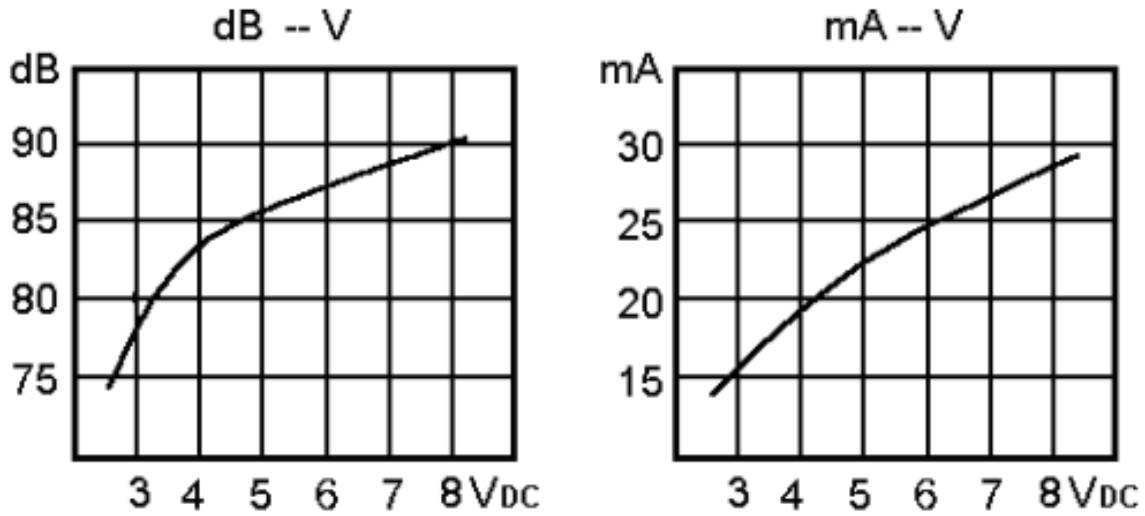
Specifications

Parameters	Values	Units
Rated Voltage	5	VDC
Operating Voltage Range	3 ~ 8	VDC
Current Draw at Rated Voltage	30(Max.)	mA
Minimum SPL @ 10cm	85	dB
Resonant Frequency	2,400±300	Hz
Tone or Pulse Rate	Continuous	-
Housing Material	PBT	-
Pin Material	Sn plated Phosphor Bronze	-
Weight	1.8	Grams
Acceptable Soldering Methods	Hand Solder, Wave Solder	See following pages
Environmental Compliances	RoHS/REACH	-
Storage Temperature	-30 ~ +80	°C
Operating Temperature	-20 ~ +70	°C

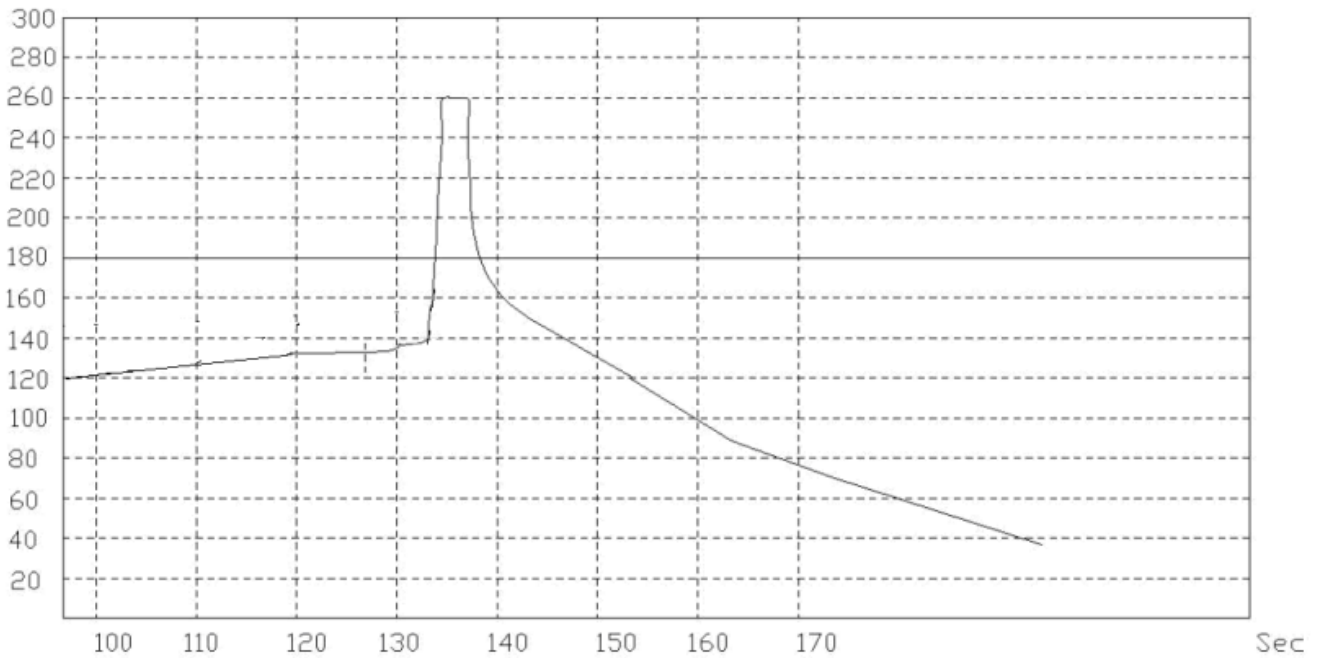
Measurement Method (Power=5VDC, Distance=10cm)



Typical SPL vs Input Voltage



Recommended Wave Soldering Procedure

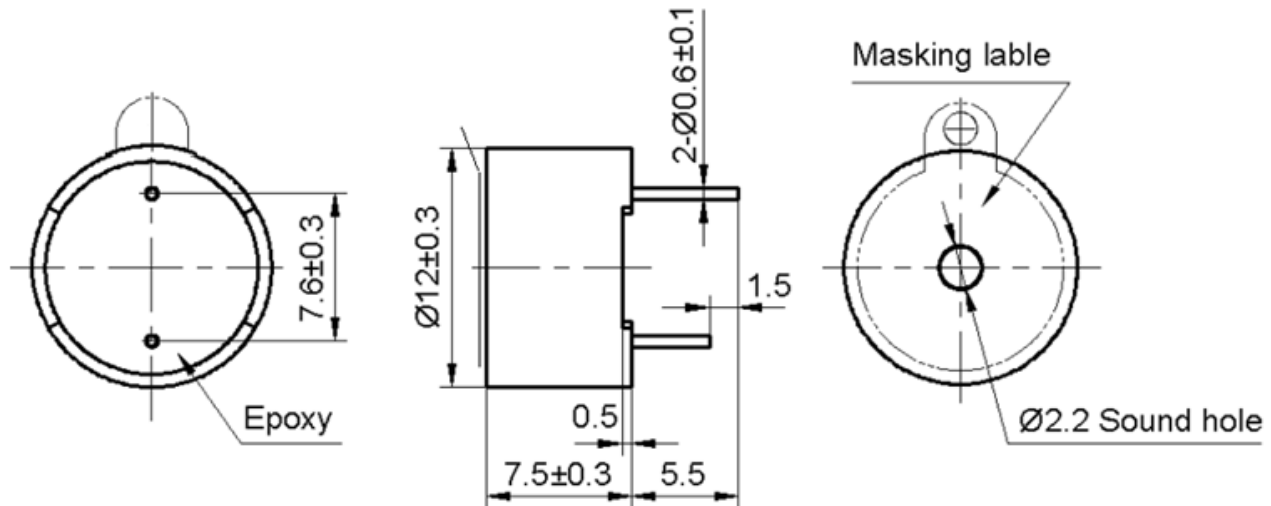


Reliability Testing

Type of Test	Test Specifications
High Temperature Test	+80±2°C, 96HRS
Low Temperature Test	-30±2°C, 96HRS
Humidity Test	40±2°C, 93% (+2/-3%) RH, 96HRS
Temperature Cycle Testing	5 cycles with 1 cycle consisting of: -30±2°C, 30 minutes Room temp., 15 minutes +80±2°C, 30 minutes Room temp., 15 minutes
Vibration Test	Make the test for the directions of X, Y, and Z (total of 0.5 hours). To-and-fro sweep time (from 10 to 55 Hz and then 55 to 10) under single amplitude of 1.0mm in 1 minute.
Shock Test	If applicable, describe conditions of test.
Drop Test	Drop 3 times from a height of 70cm onto the surface of a 10mm thick wooden board.

All specifications must be satisfied after the test

Dimensions



Tolerance: $\pm 0.5\text{mm}$ Except Specified

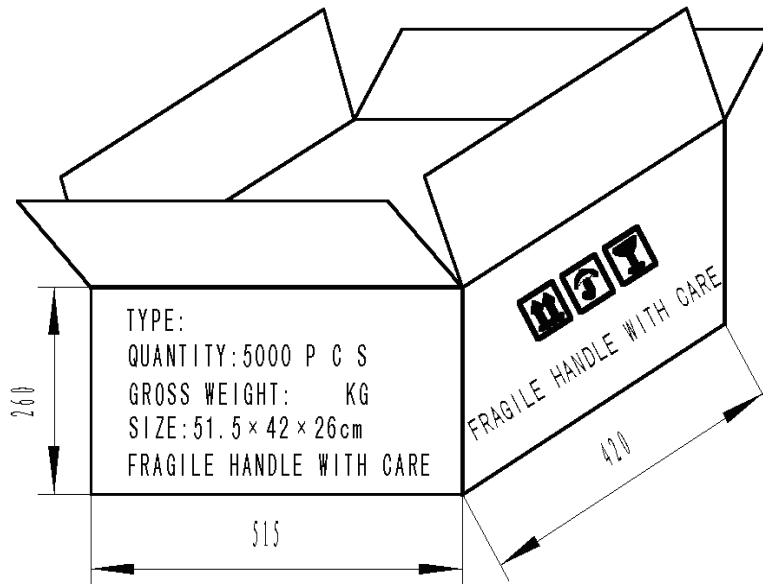
Packaging

100 PCS per box

Total 50 boxes per carton

Total 5000 PCS carton

Volume:51.5×42×26cm



Specifications Revisions

Revision	Description	Date	Approved
A	RELEASED FROM ENGINEERING	03/18/2020	-
B	Update Company Logo and Details, Revised Wave Solder Profile, Add Terminal Pin Detail	06/28/2024	ML

Note:

1. Unless otherwise specified:
 - A. All dimensions are in millimeters.
 - B. Default tolerances are $\pm 0.5\text{mm}$ and angles are $\pm 3^\circ$.
2. Specifications subject to change or withdrawal without notice.