



PUIaudio



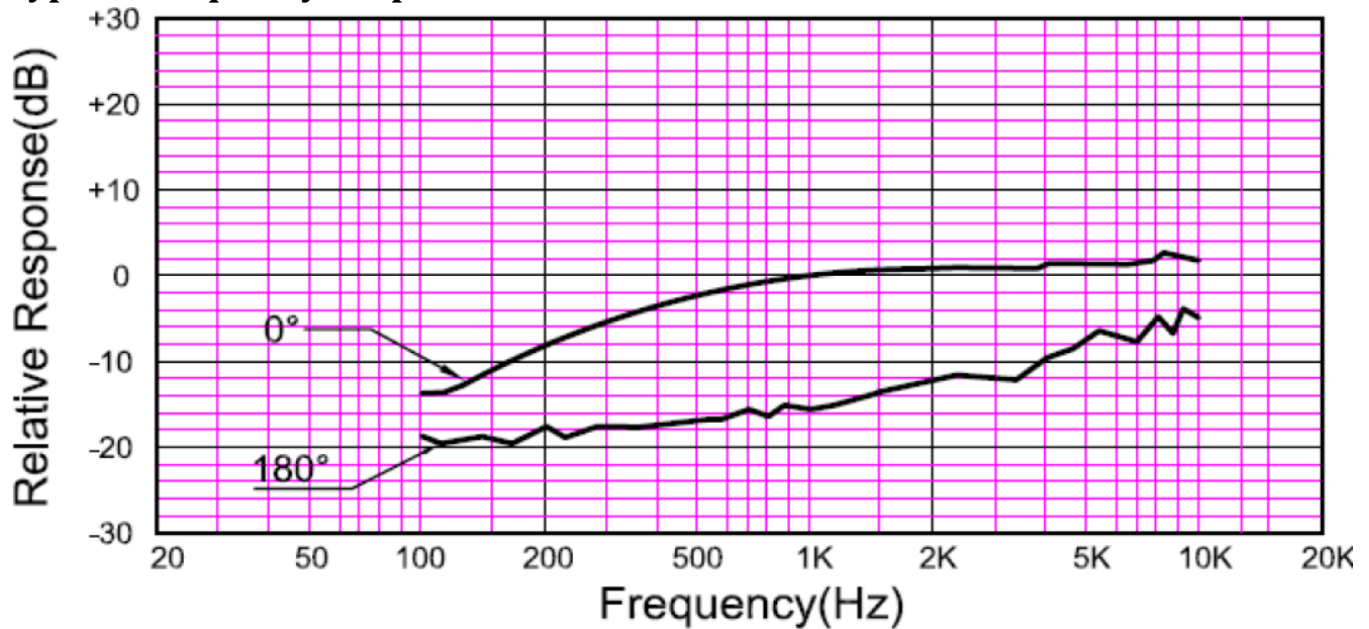
Data Sheet

PUM-3546L-R

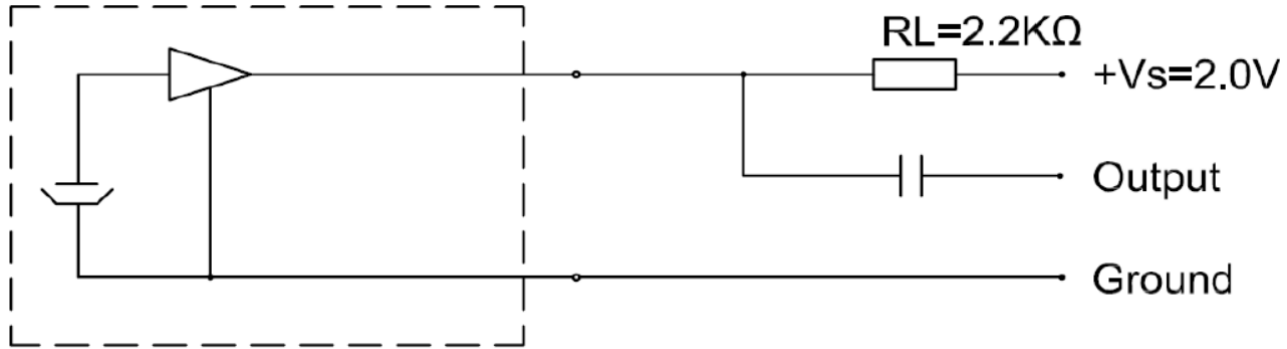
Specifications

Parameters	Values	Units
Sensitivity (0 dB=1V/Pa @ 1kHz)	-46 ± 4	dB
Rated Voltage	2.0	VDC
Operating Voltage Range	2.0 ~ 10	VDC
Current consumption max	0.5	mA
Signal-to-Noise Ratio	>55	dB
Frequency Range	100 ~ 10,000	Hz
Maximum SPL Input (THD<3%) Acoustic Overload Point	110	dB
Directivity	Uni-Directional	-
Environmental Compliances	RoHS/REACH	-
Operating Temperature	-20 ~ 60	°C
Storage Temperature	-40 ~ 70	°C

Typical Frequency Response



Recommended Drive Circuit



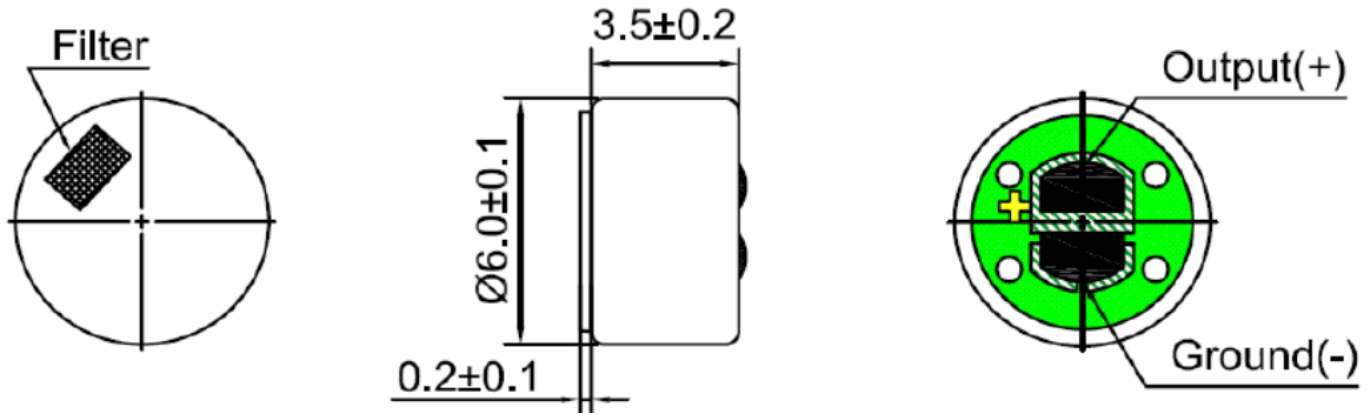
Microphone Handling Precautions

High temperature and/or static electricity may damage microphones. To ensure careful handling, we suggest following these precautions:

- Ensure the power rating of the soldering iron is below 90 watts
- The temperature of the soldering iron must be limited to $360^{\circ}\text{C} \pm 10^{\circ}\text{C}$ ($680^{\circ}\text{F} \pm 50^{\circ}\text{F}$)
- Soldering duration for each terminal shall be at or under 2 seconds
- If practical, use a metal fixture to hold the microphone in-place and to act as a heatsink. A fixture should have appropriate diameter holes drilled through the entire fixture to prevent pressure from being placed on the diaphragm (as below)



Dimensions



Specifications Revisions

Revision	Description	Date
-	Released from Engineering	1/31/2006
A	Added Terminal Polarity	2/5/2007
B	Revised to Inventor 3D Image	10/25/2010
C	Update Drawing Image, Sensitivity Toleranace	8/3/2022

Note:

1. Unless otherwise specified:
 - A. All dimensions are in millimeters.
 - B. Default tolerances are $\pm 0.5\text{mm}$ and angles are $\pm 3^\circ$.
2. Specifications subject to change or withdrawal without notice.