

THIS DOCUMENT CONTAINS DATA PROPRIETARY TO PROJECTS UNLIMITED, INC. ANY USE OR REPRODUCTION, IN ANY FORM, WITHOUT PRIOR WRITTEN PERMISSION OF PROJECTS UNLIMITED, INC. IS PROHIBITED.  
 ©2005, Projects Unlimited Inc.

SPECIFICATIONS

| PARAMETERS                    | VALUES            | UNITS |
|-------------------------------|-------------------|-------|
| RATED VOLTAGE                 | 24                | Vdc   |
| OPERATING VOLTAGE RANGE       | 9 ~ 28            | Vdc   |
| tone OUTPUT                   | SEE 32 TONE CHART | -     |
| CURRENT CONSUMPTION (NOMINAL) | SEE 32 TONE CHART | mA    |
| INGRESS PROTECTION            | IP65              | -     |
| CASE MATERIAL/COLOR           | ABS/WHITE         | -     |
| OPERATING TEMPERATURE         | -10 ~ +60         | °C    |
| WEIGHT                        | 95                | grams |

| REVISIONS |                                     |          |          |
|-----------|-------------------------------------|----------|----------|
| LTR       | DESCRIPTION                         | DATE     | APPROVED |
| -         | RELEASED FROM ENGINEERING           | 12/21/05 |          |
| A         | ADDED LEAD WIRES & DETAILS "A", "B" | 4/5/07   | B.R.     |
| B         | REVISED DETAIL "A" DIL SWITCH       | 3/12/09  | B.R.     |

**DETAIL "A"**

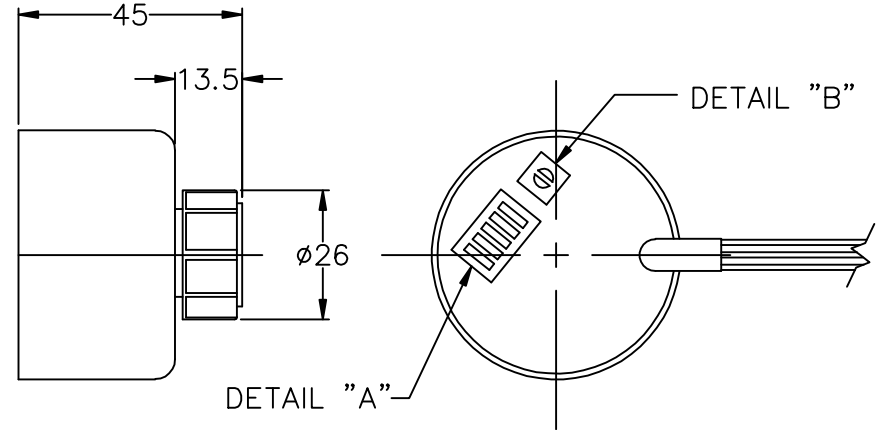
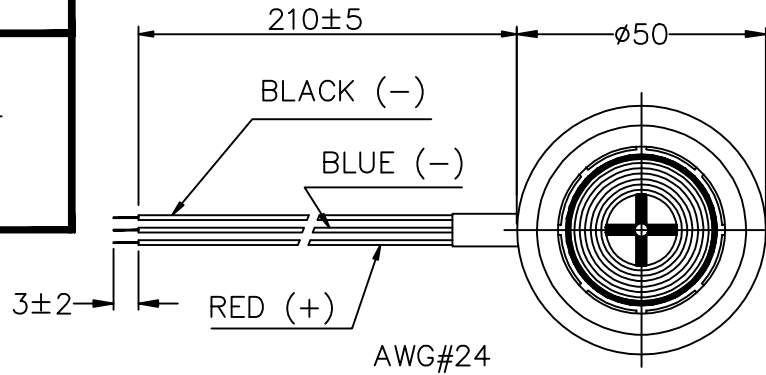
1=CLOSED  
0=OPEN

---

**DETAIL "B"**

VOLUME CONTROL

MAX




NOTES:

1. ALL DIMENSIONS ARE IN MILLIMETERS.
2. SPECIFICATION SUBJECT TO CHANGE OR WITHDRAWAL WITHOUT NOTICE.
3. THIS PART IS RoHS 2002/95/EC COMPLIANT.

FILE NAME  
AW-10PW.DWG

UNLESS OTHERWISE SPECIFIED:  
DIMENSIONS ARE IN MILLIMETERS, TOLERANCES ARE ±0.5 AND ANGLES ARE ±3°.

 projects unlimited Dayton, Ohio

SIREN

| APPROVALS            | DATE  |
|----------------------|-------|
| DRAWN <i>J.A.F.</i>  | 12/05 |
| CHECKED <i>E.P.</i>  | 12/05 |
| APPROVED <i>B.R.</i> | 12/05 |

SIZE A DRAWING NO. AW-10PW

DO NOT SCALE DRAWING

SCALE: N.T.S.

SHEET 1 OF 1