

SPECIFICATIONS

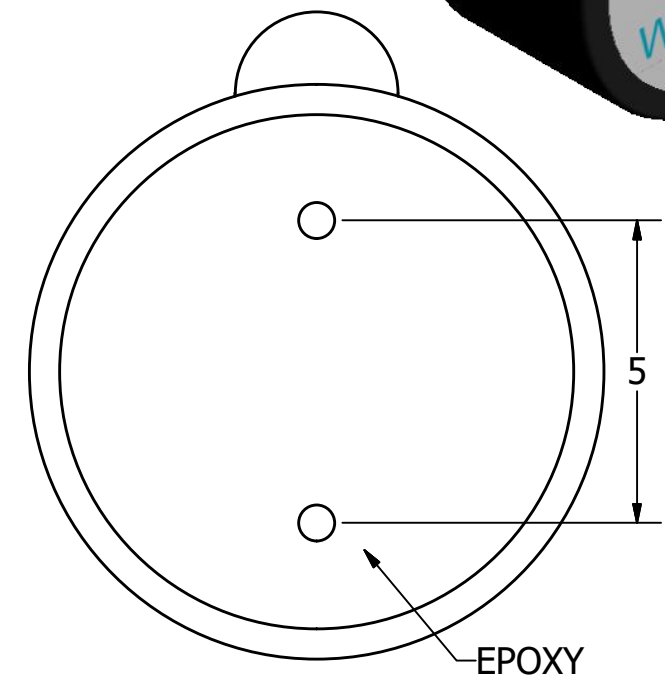
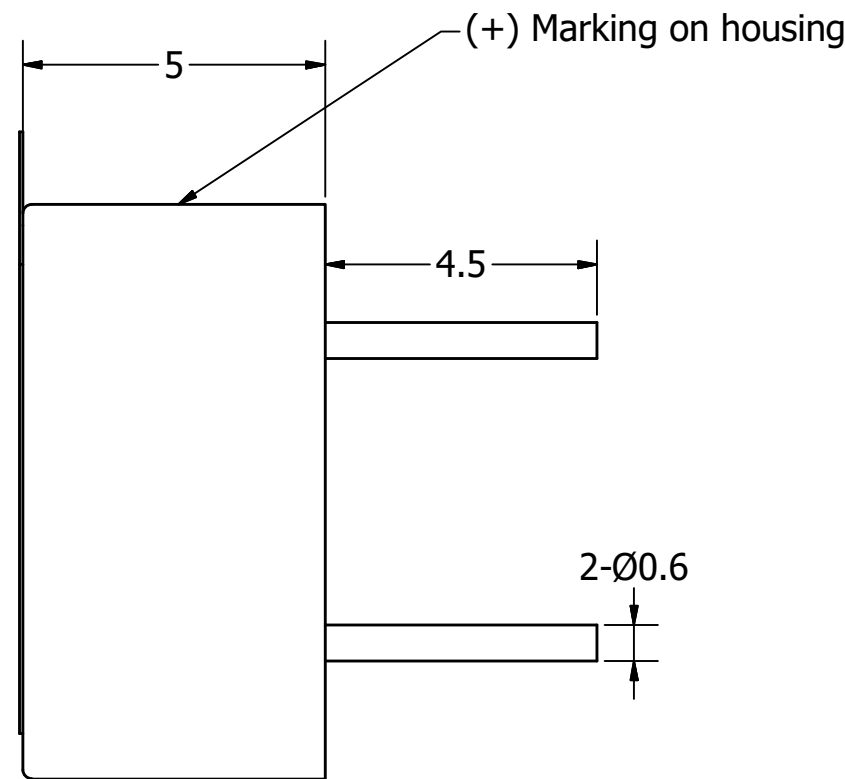
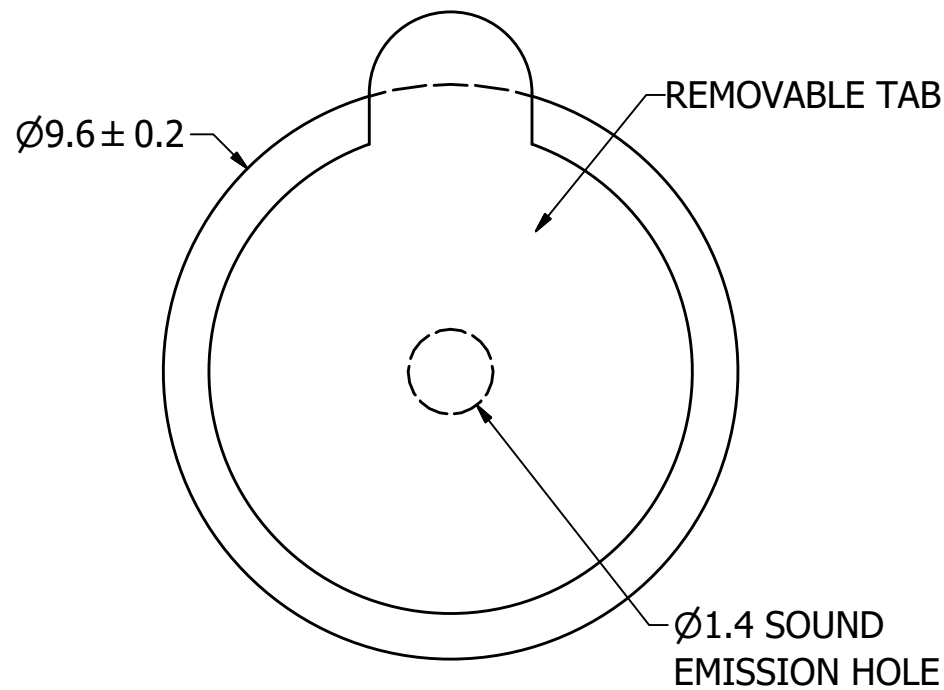
PARAMETERS	VALUES	UNITS
RATED VOLTAGE	5	Vdc
OPERATING VOLTAGE RANGE	3 ~ 7	Vdc
RATED CURRENT (MAX)	30	mA
MINIMUM SPL @ 10 CM	80	dBa
RESONANT FREQUENCY	2,700 ± 200	Hz
TONE OR PULSE RATE	CONTINUOUS	0 pulse /sec
OPERATING TEMPERATURE	-30 ~ +70	°C
STORAGE TEMPERATURE	-40 ~ +85	°C
HOUSING MATERIAL	PBT	-
TERMINAL MATERIAL	Sn PLATED RED COPPER	-
WEIGHT	1	grams

THIS DOCUMENT CONTAINS DATA PROPRIETARY TO PUI AUDIO, INC. ANY USE OR REPRODUCTION, IN ANY FORM, WITHOUT PRIOR WRITTEN PERMISSION OF PUI AUDIO, INC. IS PROHIBITED.

©2010, PUI AUDIO Inc.

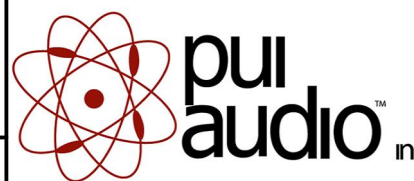
REVISION HISTORY

LTR	DESCRIPTION	DATE	APPROVED
-	RELEASED FROM ENGINEERING	4/29/2005	
A	REVISED DIMENSION SIZE AND STYLE	11/28/20005	B.R.
B	ADDED POSITIVE TERMINAL LOCATION	11/3/2006	B.R.
C	REVISED PART NUMBER ON LABEL	1/23/2007	D.F.
D	REMOVED PRODUCT LABELING	8/7/2008	B.R.
E	REVISED TO INVENTOR 3-D DRAWING TEMPLATE	10/11/2008	B.R.
F	REMOVED POLARITY MARKING FROM WASH TAB AND UPDATED HOUSING MATERIAL TO PBT	10/21/2015	B.R.
G	REVISED OPERATING TEMPERATURE	2/14/2020	M.L.



NOTES:

1. ALL DIMENSIONS ARE IN MILLIMETERS.
2. SPECIFICATIONS SUBJECT TO CHANGE OR WITHDRAWAL WITHOUT NOTICE.
3. THIS PART IS RoHS 2015/863/EU COMPLIANT.
4. WAVE SOLDER AND WASH ALLOWED.

UNLESS OTHERWISE SPECIFIED: DIMENSIONS ARE IN MILLIMETERS, TOLERANCES ARE ±0.5 AND ANGLES ARE ±3°.	SIZE A3	Designed by	Date	Checked by	Date	Approved by	Date	Drawn Date	
		R.A.C.	4/29/2005	B.R.	4/30/2005	R.W.	4/30/2005	10/11/2008	
AI-1027-TWT-5V-R.idw				AI-1027-TWT-5V-R				Indicator	
						Edition		Sheet	
						-		1 / 1	