



# PUI audio



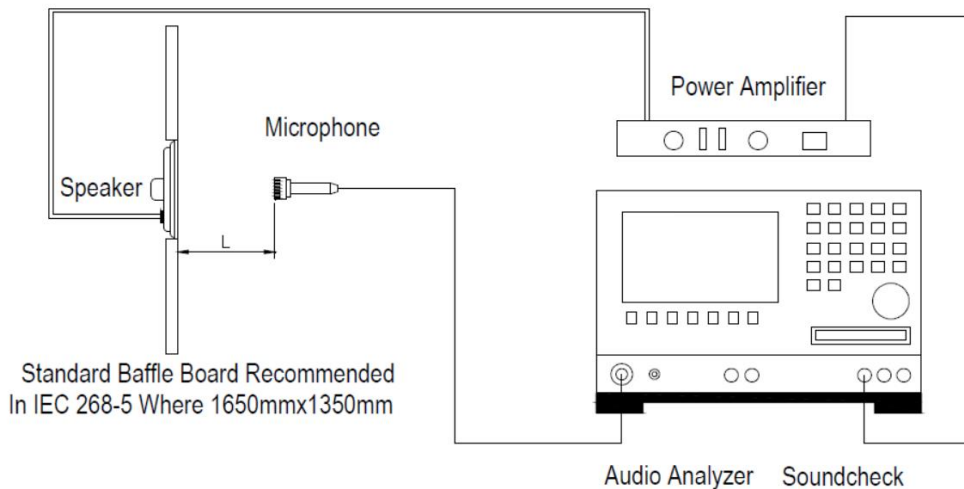
Data Sheet

AS02808MR-3-R

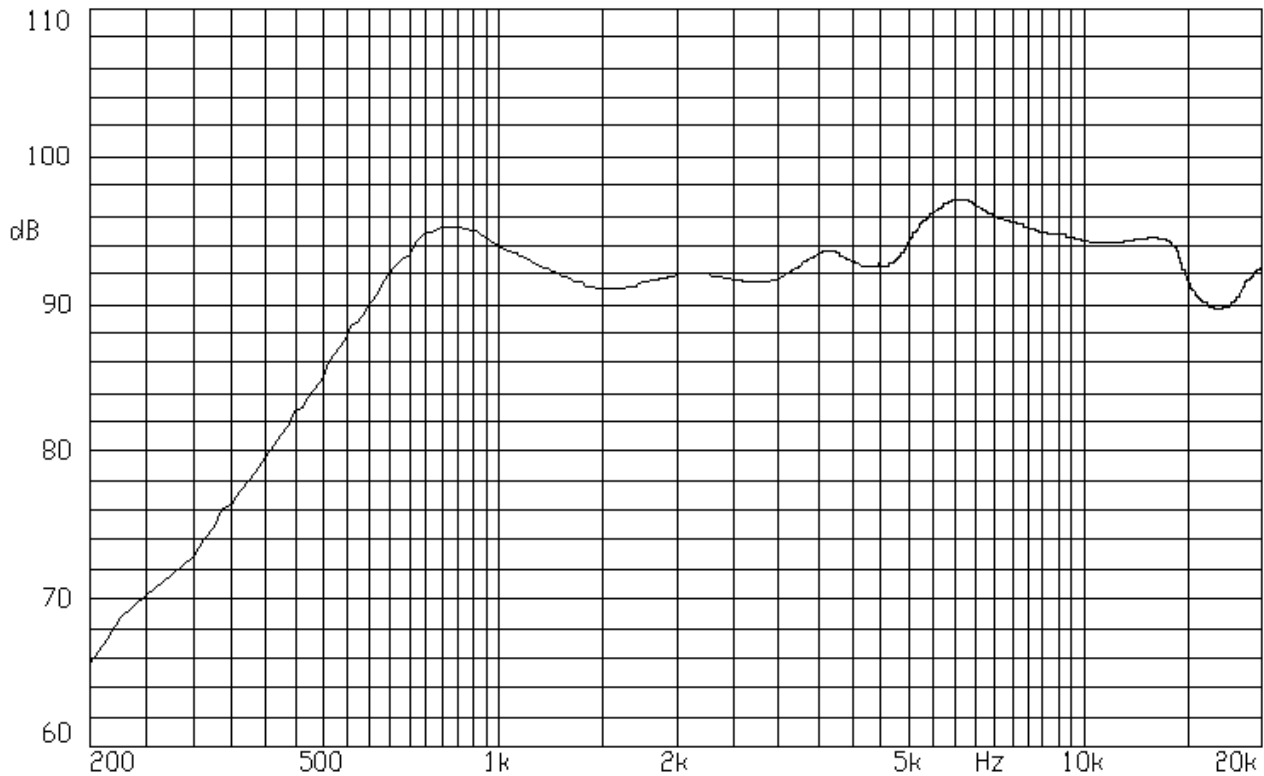
## Specifications

Parameters	Values	Units
Rated Input Power	1.0	Watts
Max Input Power	2.0	Watts
Impedance	$8 \pm 15\%$	Ohms
Output SPL (Avg. @ 1.0, 1.2, 1.5kHz; 0.1W/10cm)	$92 \pm 3$	dB
Resonant Frequency	$750 \pm 20\%$	Hz
Frequency Range	$F_o \sim 7,000$	Hz
THD	<5%	-
Diaphragm Material	Mylar	-
Magnet Material	NdFeB	-
Frame Material	Metal	-
Weight	5.2	Grams
Environmental Compliances	ROHS/REACH	-
Storage Temperature	-30 ~ 60	°C
Operating Temperature	-20 ~ 60	°C

## Measurement Method (0.1W, L=10cm)



## Typical Frequency Response (0.1W, 10cm)

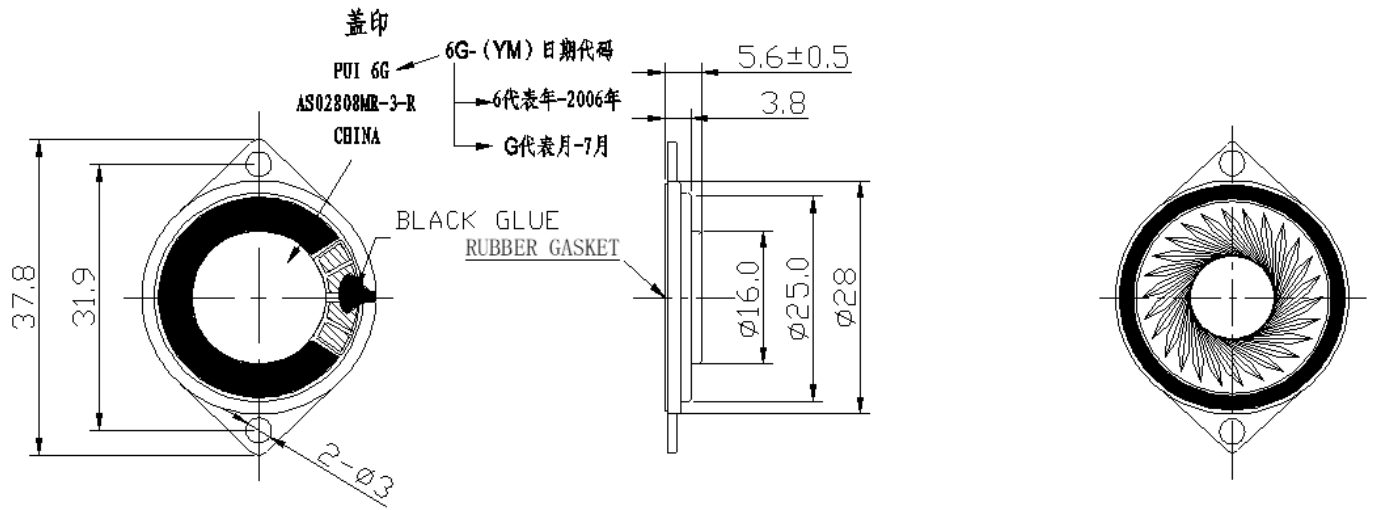


## Reliability Testing

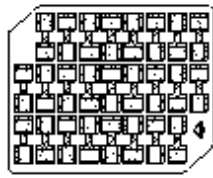
Type of Test	Test Specifications
High Temperature Test	96 hours at 60°C
Low Temperature Test	96 hours at -30°C
Humidity Test	96 hours at 40°C, 95% RH
Temperature Humidity Cycle Testing	Run for 5 cycles with each cycle consisting of: -30C for 1 hour, 60C for 1 hour
Vibration Test	10-55-10Hz Sine-Wave Sweep 15min. 5G (constant) X/Y/Z direction, 2 hours each, total 6 hours.
Life Test	White-Noise at rated power for 96 hours.
Drop Test	Free drop a unit from 100cm height to 220mm thick board in X/Y/Z direction 2 times each, total 6 times

**After each test the part shall be within  $\pm 3$ dB of initial SPL.**

## Dimensions

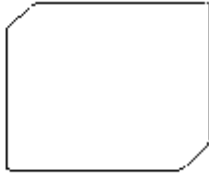


## Packaging



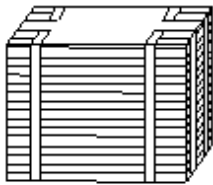
PVC BOX

PVC BOX SIZE: 325X263mm;  
 ONE BOX: 50PCS;



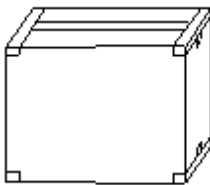
PCB COVER BOARD

COVER BOARD SIZE: 325X263mm;



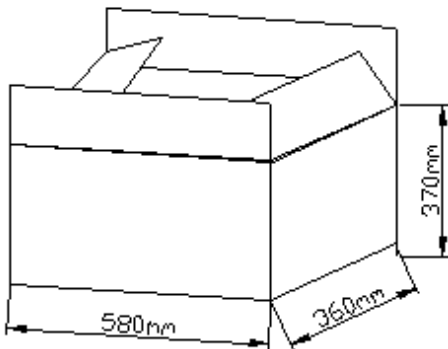
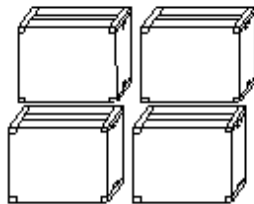
ONE BUNDLE

ONE BUNDLE SIZE: 325X263X145mm;  
 TEN BOX/BUNDLE: 50 × 10=500PCS



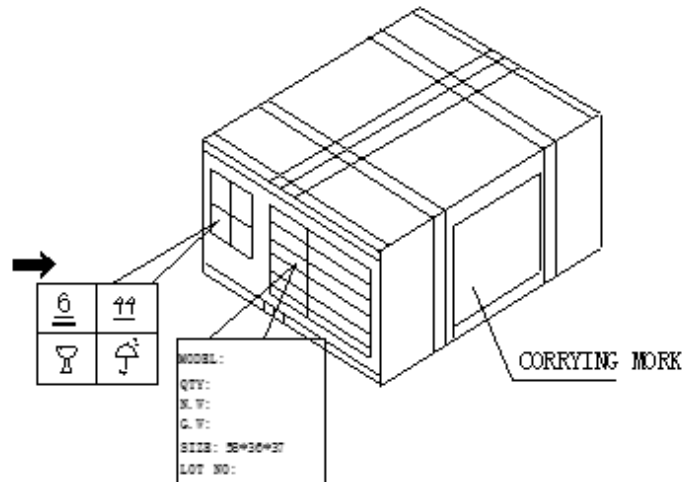
SMALL BOX

SMALL BOX SIZE: 335X275X160mm  
 ONE BUNDLE/SMALL BOX: 500 × 1=500PCS  
 500PCS USE ONE SMALL BOX  
 TEN BOX/BUNDLE: 50 × 10=500PCS



BIG BOX SIZE: 580X360X370 mm;

FOUR SMALL BOX/BIG BOX: 4X500PCS=2000PCS  
 2000PCS USE ONE BIG BOX  
 4PCS SMALL BOX USE ONE BIG BOX



**Specifications Revisions**

<b>Revision</b>	<b>Description</b>	<b>Date</b>
-	Released from Engineering	3/20/2006
A	Revised Dimensions and input Power	7/5/2012

Note:

1. Unless otherwise specified:
  - A. All dimensions are in millimeters.
  - B. Default tolerances are  $\pm 0.5\text{mm}$  and angles are  $\pm 3^\circ$ .
2. Specifications subject to change or withdrawal without notice.