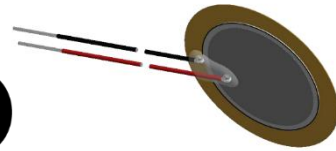




# PUI audio

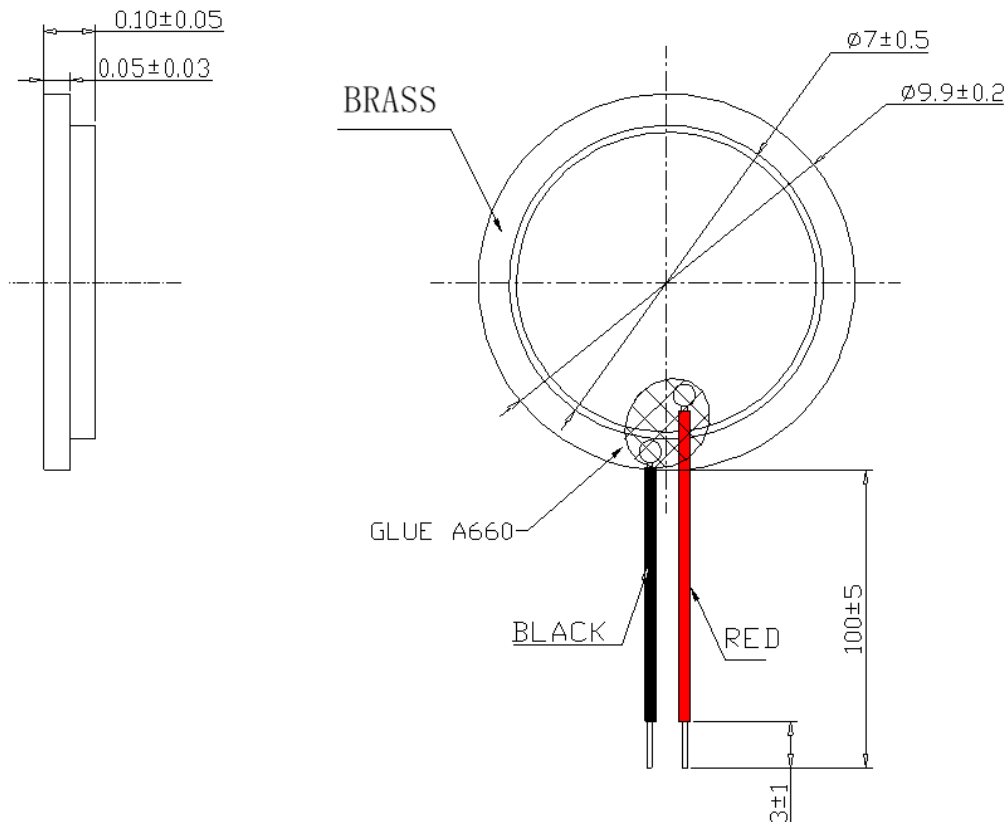


Data Sheet	AB1070B-LW100-R
------------	-----------------

## Specifications

Parameters	Values	Units
Resonant Frequency	7,000 ± 600	Hz
Resonant Impedance (Max)	1000	Ohms
Max Input Voltage	15	Vp-p
Capacitance (@ 100Hz)	10,000±30%	pF
Plate Material	Brass	-
Storage Temperature	-20 ~ +80	°C
Operating Temperature	-20 ~ +80	°C
Environmental Compliances	RoHS/REACH	Exempt. 7c-1
Lead Wire	UL1571 AWG32	-

## Dimensions



## Packaging - 100pcs/Bag, 5k pcs/Carton

### Specifications Revisions

Revision	Description	Date	Approved
-	RELEASED FROM ENGINEERING	04/13/2013	-
A	REVISED CERAMIC DIAMETER	09/29/2016	MV
B	Revised Brass Plate Diameter Tolerance and Overall Piezo Height, Update Drawing Image	09/12/2024	ML

Note:

- Unless otherwise specified:
  - All dimensions are in millimeters.
  - Default tolerances are  $\pm 0.5\text{mm}$  and angles are  $\pm 3^\circ$ .
- Specifications subject to change or withdrawal without notice.