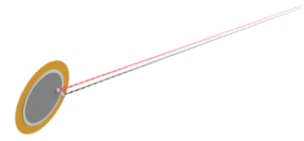




PUIaudio

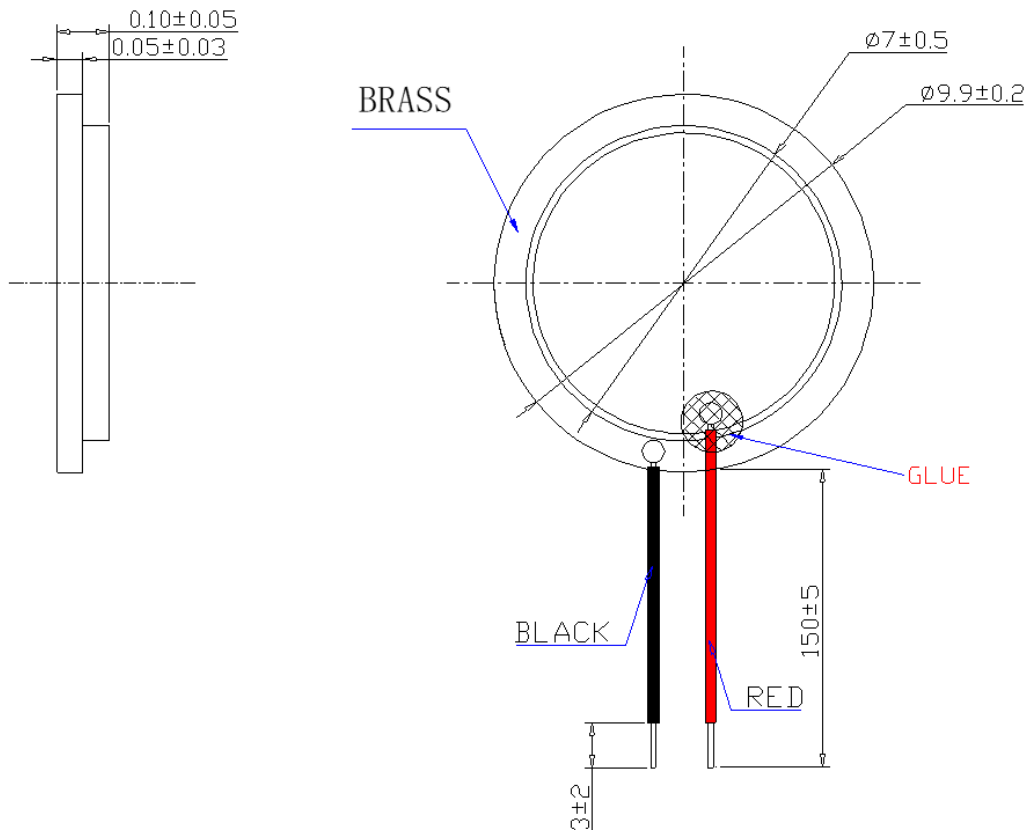


Data Sheet	AB1070B-LW150-R
------------	-----------------

Specifications

Parameters	Values	Units
Resonant Frequency	7,000 ± 600	Hz
Resonant Impedance (Max)	1000	Ohms
Max Input Voltage	15	Vp-p
Capacitance (@ 100Hz)	10,000 ± 30%	pF
Plate Material	Brass	-
Storage Temperature	-20 ~ +80	°C
Operating Temperature	-20 ~ +80	°C
Environmental Compliances	RoHS/REACH	Exempt. 7c-1
Lead Wire	UL1571 AWG32	-

Dimensions



Packaging - 100pcs/Bag, 5k pcs/Carton

Specifications Revisions

Revision	Description	Date	Approved
A	RELEASED FROM ENGINEERING	02/25/2009	-
B	Revised Ceramic Diameter to 7.5mm	09/30/2016	-
C	Revised Brass Plate Diameter Tolerance and Overall Height, Update Drawing Image	09/12/2024	ML

Note:

- Unless otherwise specified:
 - All dimensions are in millimeters.
 - Default tolerances are $\pm 0.5\text{mm}$ and angles are $\pm 3^\circ$.
- Specifications subject to change or withdrawal without notice.