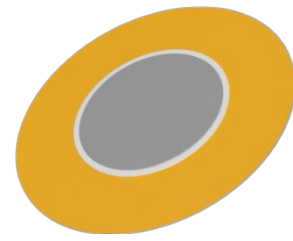




# PUI audio



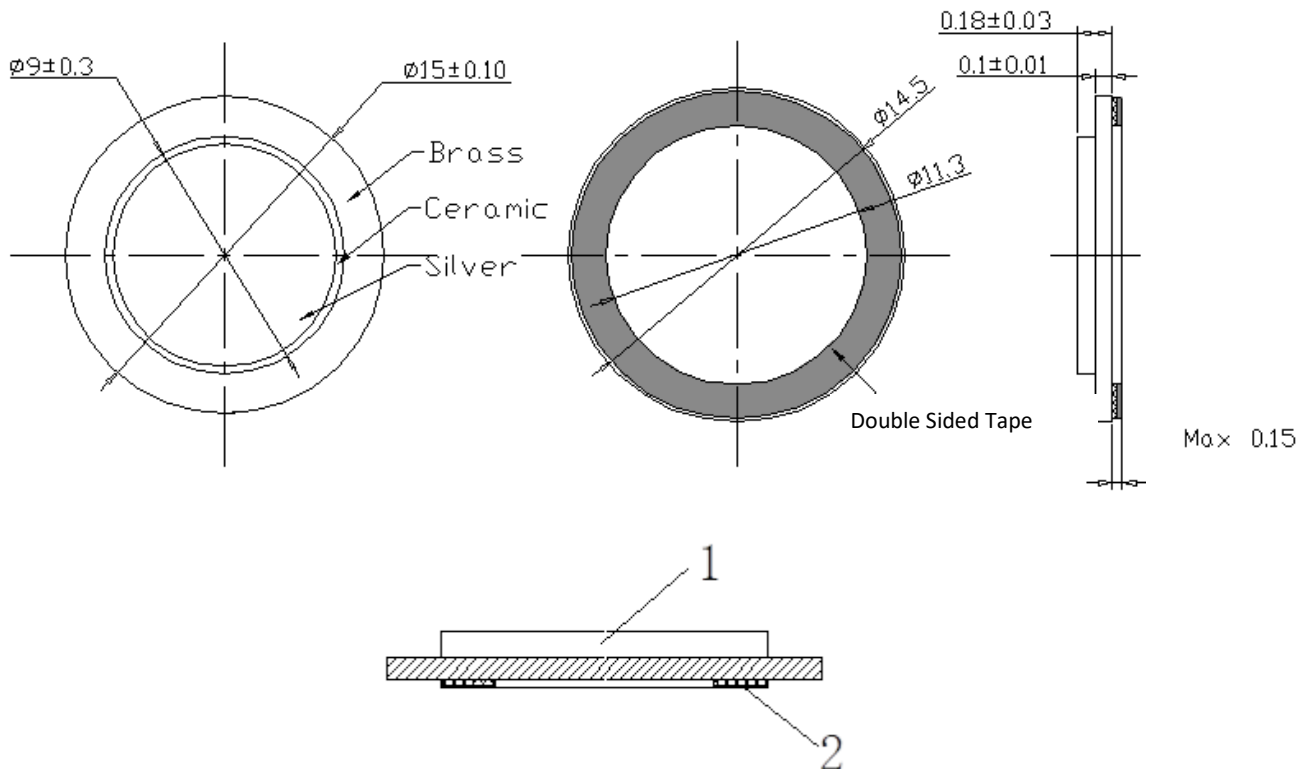
Data Sheet

AB1541B-6

## Specifications

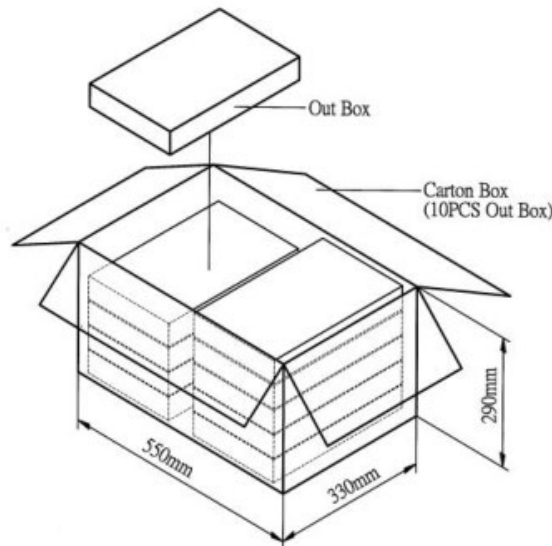
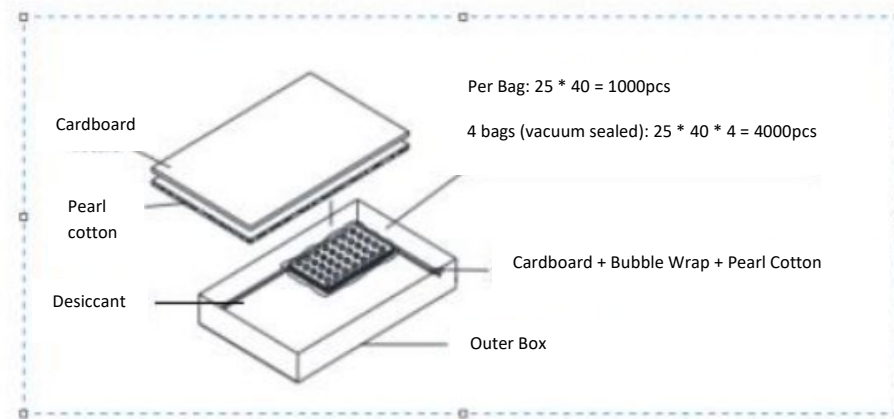
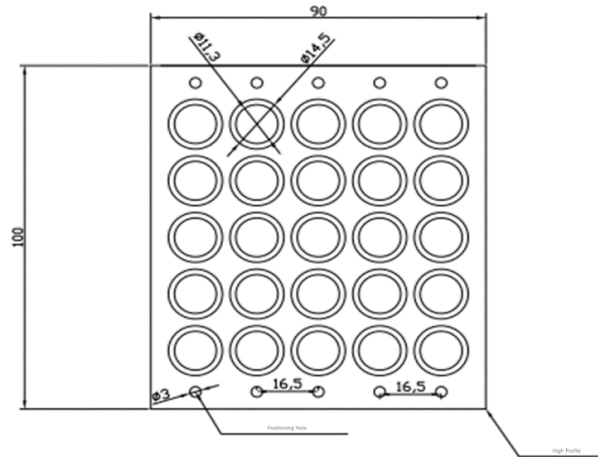
Parameters	Values	Units
Resonant Frequency	4,100 ± 500	Hz
Resonant Impedance (Max)	1000	Ohms
Max Input Voltage	30	Vp-p
Capacitance (@ 1 kHz)	8000 ± 30%	pF
Plate Material	Brass	-
Storage Temperature	-20 ~ +70	°C
Operating Temperature	-20 ~ +60	°C
Environmental Status	ROHS/REACH	Exempt. 7c-1

## Dimensions



Part No.	Part Name	Quantity	Material
1	Piezo Element	1	Brass
2	Adhesive	1	3M9495LE

## Packaging



<b>Tray</b>	<b>90mm x 100mm</b>	<b>5 x 5 = 25pcs</b>
<b>Bag</b>	<b>120mm x 170mm</b>	<b>25 x 40 = 1,000pcs</b>
<b>Vacuum Seal</b>	<b>280mm x 260mm</b>	<b>25 x 40 x 4 = 4,000pcs</b>
<b>Outer Box</b>	<b>330mm x 245mm x 50mm</b>	<b>25 x 40 x 4 = 4,000pcs</b>
<b>Carton</b>	<b>550mm x 330mm x 290mm</b>	<b>4000 x 10 = 40,000pcs</b>

**Specifications Revisions**

<b>Revision</b>	<b>Description</b>	<b>Date</b>
A	Released from Engineering	10/1/2021

Note:

- 1. Unless otherwise specified:
  - A. All dimensions are in millimeters.
  - B. Default tolerances are  $\pm 0.5\text{mm}$  and angles are  $\pm 3^\circ$ .
- 2. Specifications may not change without prior customer approval.