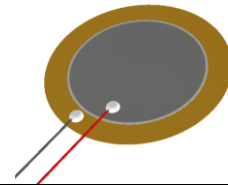




# PUI audio

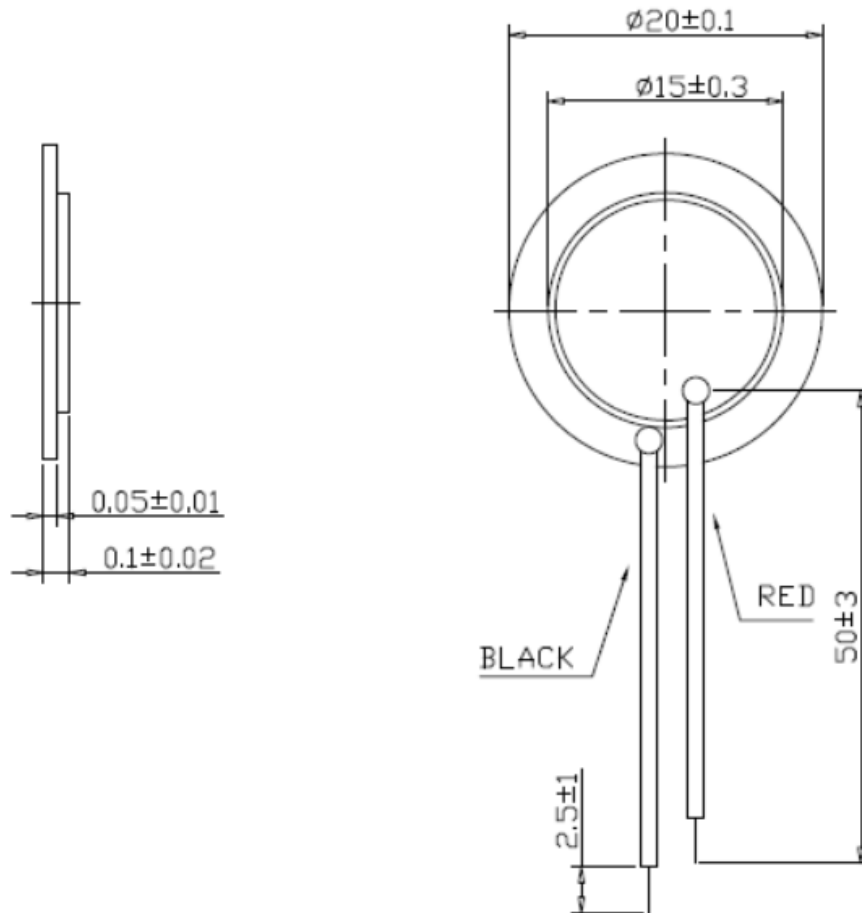


Data Sheet	AB2025B-LW50-R
------------	----------------

## Specifications

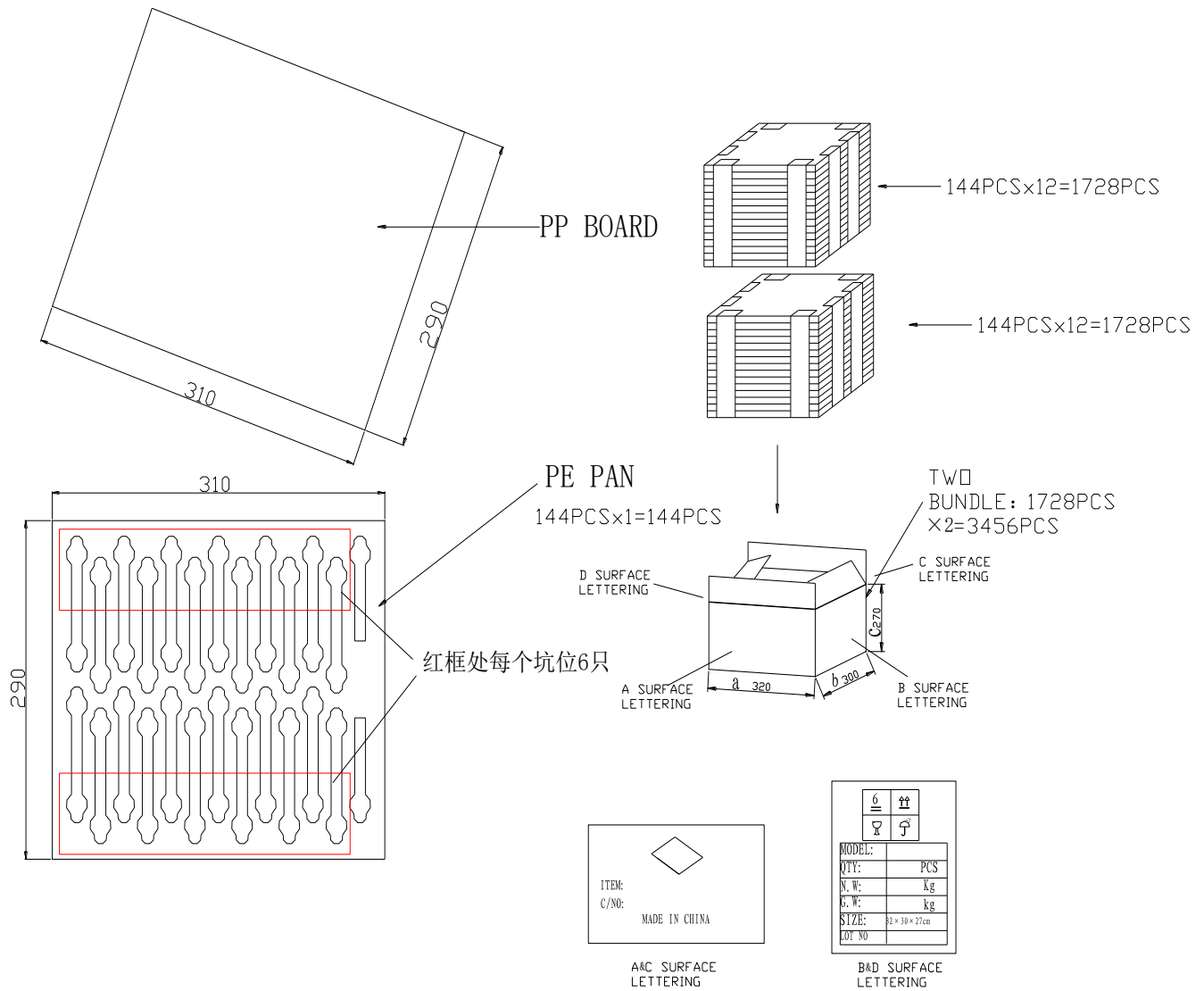
Parameters	Values	Units
Resonant Frequency	2500 ± 300	Hz
Resonant Impedance (Max)	500	Ohms
Max Input Voltage	30	Vp-p
Capacitance (@ 1kHz)	80,000 ± 30%	pF
Plate Material	Brass	-
Storage Temperature	-20 ~ 70	°C
Operating Temperature	-20 ~ 60	°C
Environmental Compliances	RoHS/REACH	Exempt. 7c-1

## Dimensions



LEAD WIRE:UL1571 28#

## Packaging



**\*CAUTION - Carefully remove piezos from tray packaging. Using the wires to pull piezo from the tray may stress or damage the wire or ceramic.**

### Specifications Revisions

Revision	Description	Date
A	Released from Engineering	7/15/2008

Note:

- Unless otherwise specified:
  - All dimensions are in millimeters.
  - Default tolerances are  $\pm 0.5\text{mm}$  and angles are  $\pm 3^\circ$ .
- Specifications subject to change or withdrawal without notice.