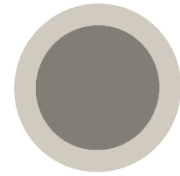




PUIaudio



Data Sheet

ABLF2053B

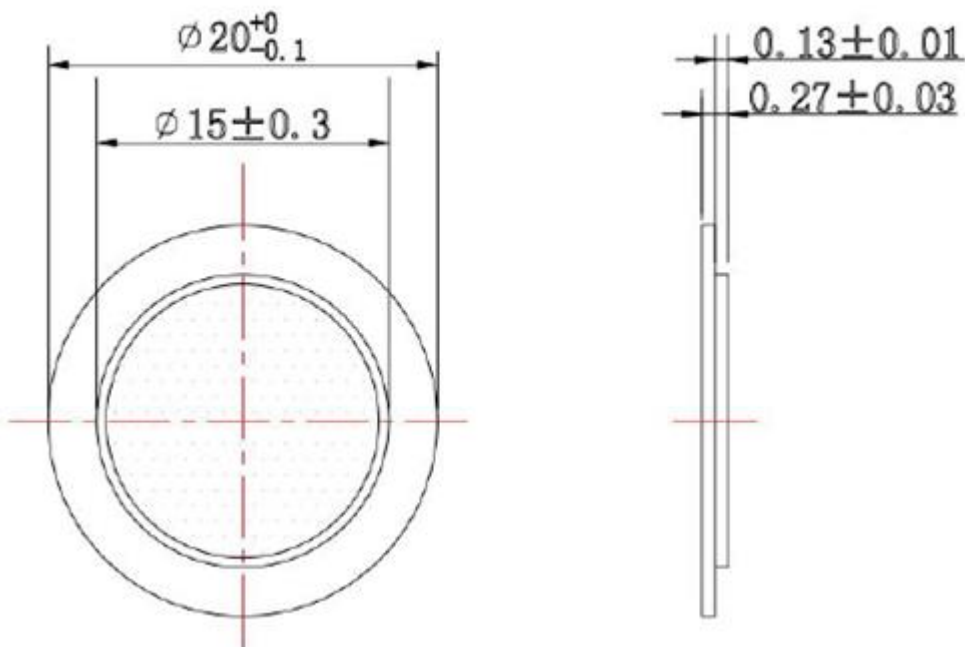
Features:

- Lead Free Piezoelectric Bender
- 20mm diameter
- Resonant Frequency of 5.3 KHz

Specifications

Parameters	Values	Units
Resonant Frequency	5,300 ± 500	Hz
Resonant Impedance (Max)	500	Ohms
Max Input Voltage	40	Vp-p
Capacitance (@ 1k Hz)	17,000 ± 30%	pF
Plate Material	Brass	-
Storage Temperature	-30 ~ 80	°C
Operating Temperature	-20 ~ 70	°C
Environmental Compliances	RoHS/REACH	-

Dimensions



Packaging

100 pcs/roll

20k pcs/carton

Specifications Revisions

Revision	Description	Date	Approved
A	Released from Engineering	12/20/2024	JD

Note:

- Unless otherwise specified:
 - All dimensions are in millimeters.
 - Default tolerances are $\pm 0.5\text{mm}$ and angles are $\pm 3^\circ$.
- Specifications subject to change or withdrawal without notice.