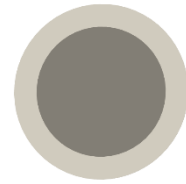




PUI audio



Data Sheet

AB2733A

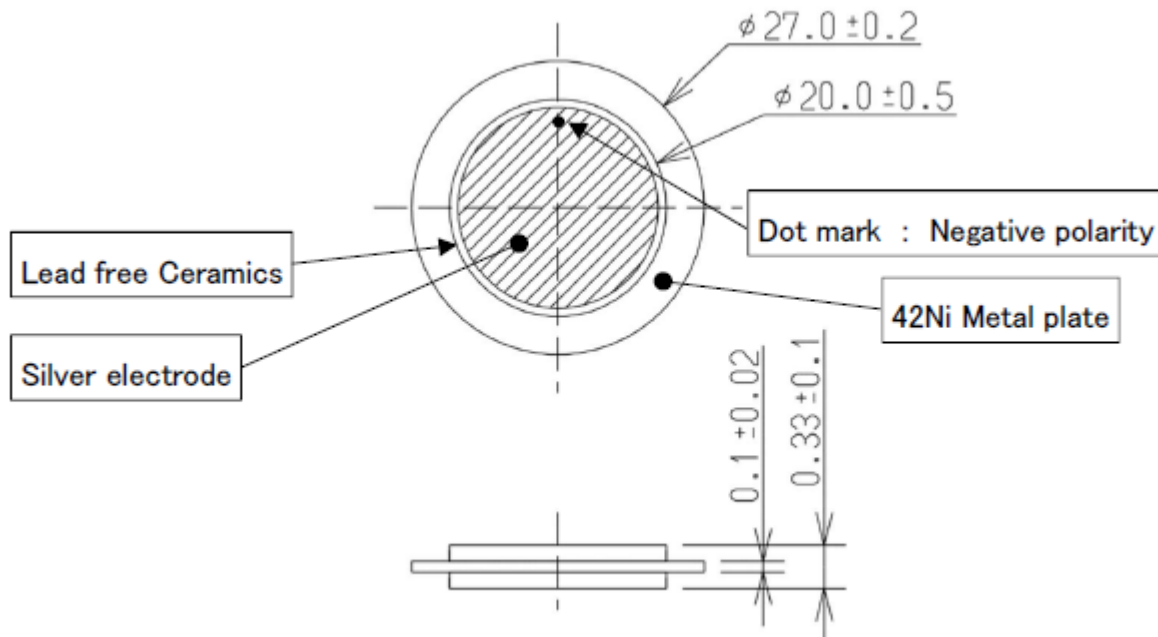
Features:

- Lead Free Piezoelectric Bender
- 27mm diameter
- Resonant Frequency of 3.3 KHz

Specifications

Parameters	Values	Units
Resonant Frequency	3,300 ± 500	Hz
Resonant Impedance (Max)	500	Ohms
Max Input Voltage	30	Vp-p
Capacitance (@ 100 Hz)	100,000 ± 30%	pF
Plate Material	Nickel	-
Storage Temperature	-20 ~ 80	°C
Operating Temperature	0 ~ 70	°C
Environmental Compliances	RoHS/REACH	-

Dimensions



Precautions

- 1) No dirt, scratches, burrs, cracks, or missing electrodes that may affect electrical performance.
- 2) The distance between the edge of electrode from the edge of the piezo ceramic is greater than 0.1 mm.
- 3) There is no crack within the edge of the electrode.
- 4) The crack on the piezo ceramic does not reach the edge of Electrode.
- 5) The piezo ceramic must be axially centered within 1.5 mm on the vibration plate.
- 6) Discoloration of electrodes due to sulfidation is acceptable.



Example of electrode sulfidation

Handling Precautions

(1) Do not drop the product (Lead free piezo element). When subjected to a mechanical shock, the product may accumulate a high voltage, resulting in an electric shock to anyone who touches it. Also, if such a product is connected to a circuit, it may damage transistor, LSI and/or other electric components. The product, which may have accidentally been subjected to a mechanical shock, can be made safe by shorting it between the electrodes.

2) Take special protective measures to prevent deterioration and breakdowns, whenever

the products are used in the following unfriendly areas:

1. Dusty places
2. Hot or frosty places
3. Areas exposed to sunlight
4. Wet location
5. Humid Environment
6. Area exposed to solvents or their vapor.

(3) When operating the product outdoors, protect it from moisture to ensure normal operation.

(4) Do not apply a DC current to the product, otherwise, silver migration may occur, which will lower the insulation resistance and cause the product to stop functioning.

(5) Please do not handle the main body. If you handle the main unit with rust, rust will be generated in a short period of time.

Storage Precautions

- 1) If stored in a chemical atmosphere such as acid, alkali, salt, organic gas, sulfur, etc., it may cause deterioration of solderability, so avoid storing in a chemical atmosphere.
- 2) To avoid the influence of moisture, dust, etc., please avoid direct placement on the floor.
- 3) Avoid storing the product where it is exposed to direct sunlight, heat, or vibration.
- 4) If the product is stored for a long time after unpacking and opening, the solderability may deteriorate depending on the storage conditions. Use immediately after unpacking and opening.
- 5) Dropping the product may cause cracks in the ceramic element inside the product, so please store and handle it in a state where it does not fall easily.
- 6) Store in a desiccator immediately after opening.

Packaging

Quantity of one plastic bag	400pcs.
Quantity of one Styrofoam tray (4 plastic bags per Styrofoam tray)	1600pcs.
Quantity of one cardboard box (One stack in one box, 5 Styrofoam trays per stack)	8000pcs.

Specifications Revisions

Revision	Description	Date	Approved
A	Released from Engineering	12/20/2024	JD

Note:

1. Unless otherwise specified:
 - A. All dimensions are in millimeters.
 - B. Default tolerances are $\pm 0.5\text{mm}$ and angles are $\pm 3^\circ$.
2. Specifications subject to change or withdrawal without notice.