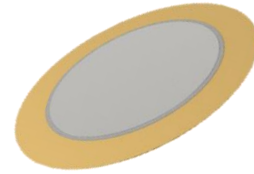




PUIaudio



Data Sheet

ABLF2746B

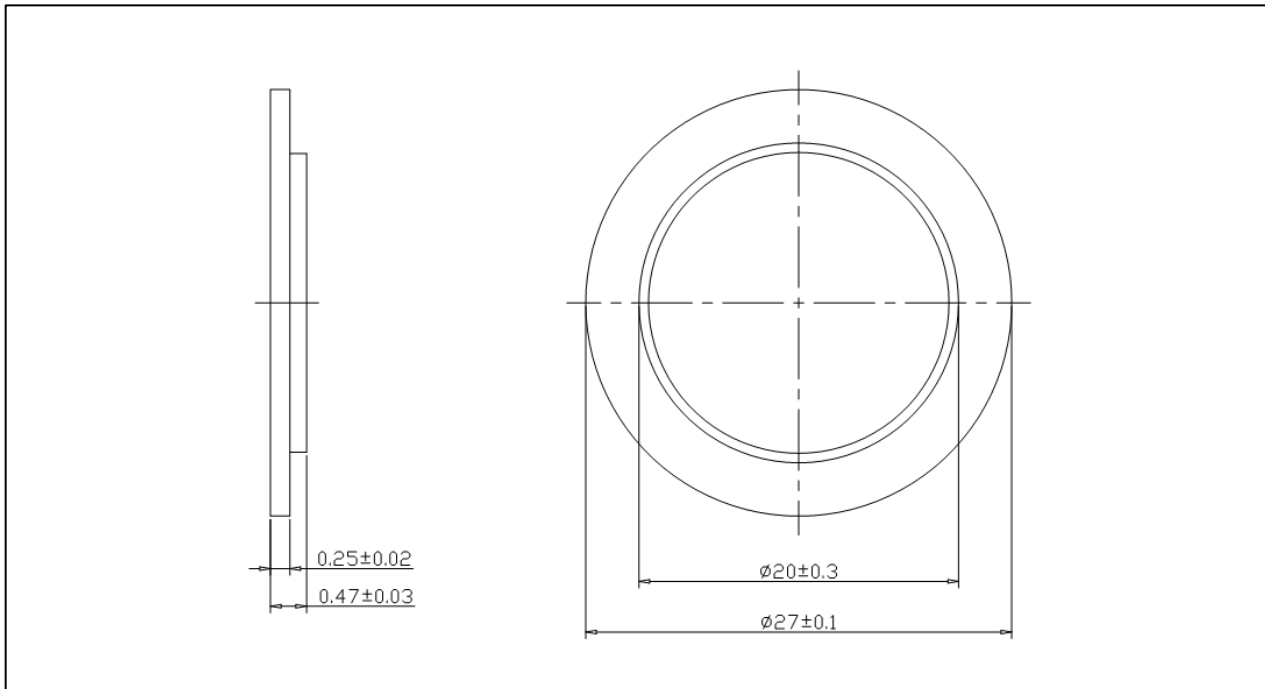
Features

- Lead Free Piezoelectric Bender

Specifications

Parameters	Values	Units
Resonant Frequency	4,600 ± 500	Hz
Resonant Impedance (Max)	300	Ohms
Max Input Voltage	30	Vp-p
Capacitance (@ 120 Hz)	20,000 ± 30%	pF
Plate Material	Brass	-
Storage Temperature	-20 ~ +70	°C
Operating Temperature	-20 ~ +60	°C
Environmental Compliances	RoHS/REACH	

Dimensions



Packaging

Roll	80 pcs
Tray	1,600 pcs
Carton	4,800 pcs

Specifications Revisions

Revision	Description	Date
A	RELEASED FROM ENGINEERING	7/14/2023

Note:

- Unless otherwise specified:
 - All dimensions are in millimeters.
 - Default tolerances are $\pm 0.5\text{mm}$ and angles are $\pm 3^\circ$.
- Specifications subject to change or withdrawal without notice.