



PUIaudio



Data Sheet

ABLF3529B-LW100

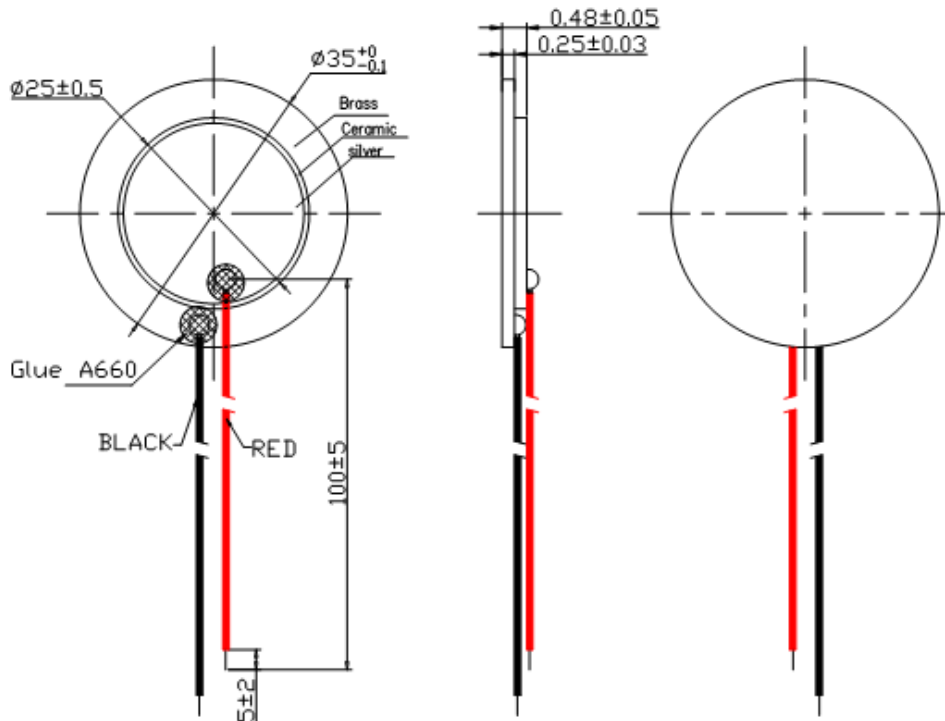
Features:

- Lead Free Piezoelectric Bender
- 20mm diameter
- Resonant Frequency of 6.1 KHz

Specifications

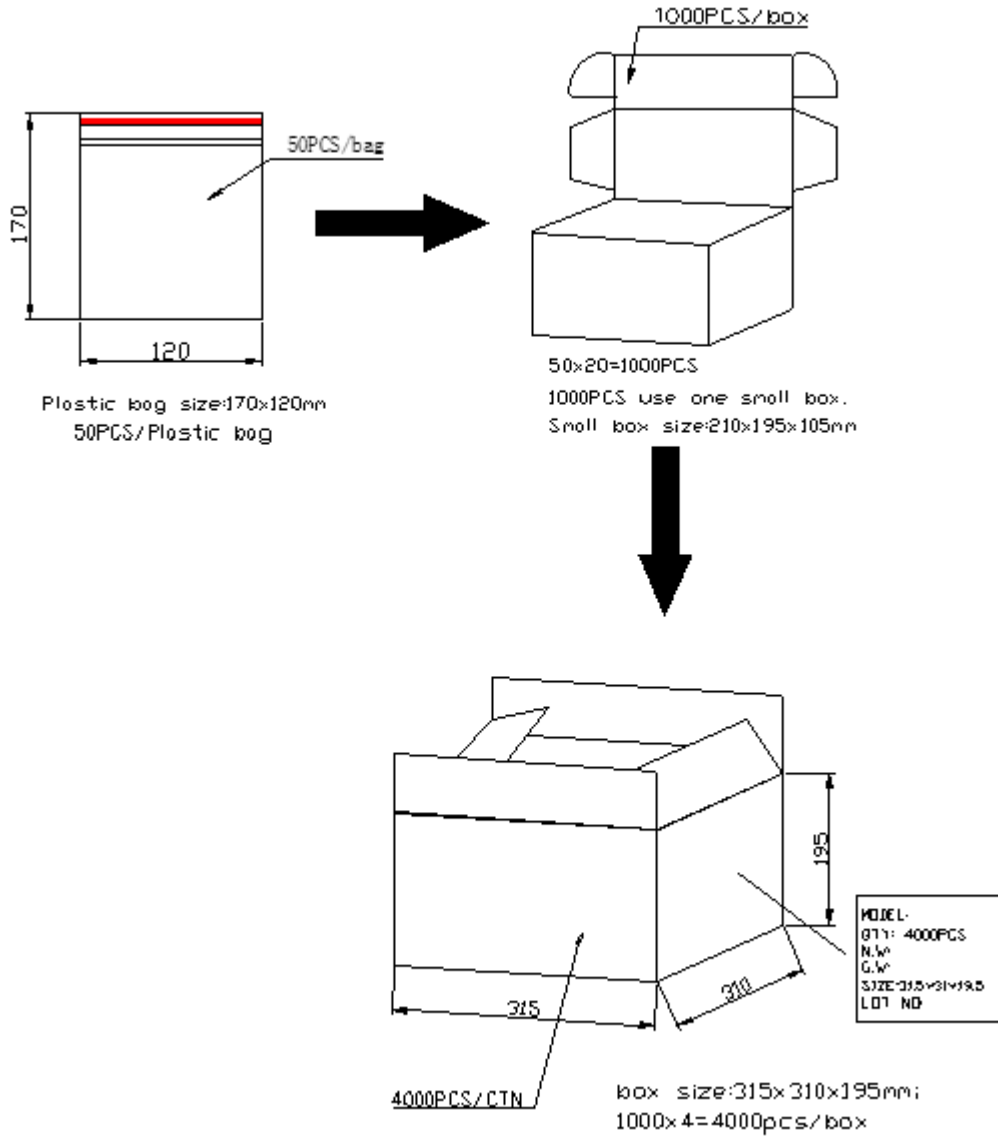
Parameters	Values	Units
Resonant Frequency	2,900 ± 500	Hz
Resonant Impedance (Max)	500	Ohms
Max Input Voltage	30	Vp-p
Capacitance (@ 100 Hz)	35,000 ± 30%	pF
Plate Material	Brass	-
Storage Temperature	-30 ~ 80	°C
Operating Temperature	-20 ~ 70	°C
Environmental Compliances	RoHS/REACH	-

Dimensions



UL1571 AWG28(Red&Black)

Packaging



Specifications Revisions

Revision	Description	Date	Approved
A	Released from Engineering	12/20/2024	JD

Note:

- 1. Unless otherwise specified:
 - A. All dimensions are in millimeters.
 - B. Default tolerances are $\pm 0.5\text{mm}$ and angles are $\pm 3^\circ$.
- 2. Specifications subject to change or withdrawal without notice.