



PUI audio



Data Sheet

AI-1223-TWT-5V-R

Features:

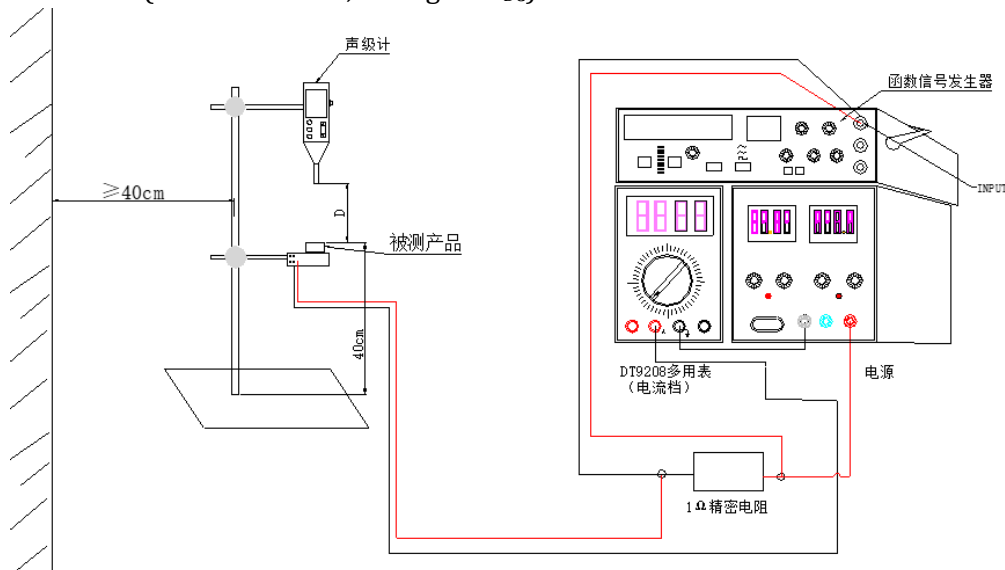
- Top-firing, thru-hole magnetic indicator
- 5V_{DC}, 2300 Hz resonant frequency
- Wave solder and wash allowed

Specifications

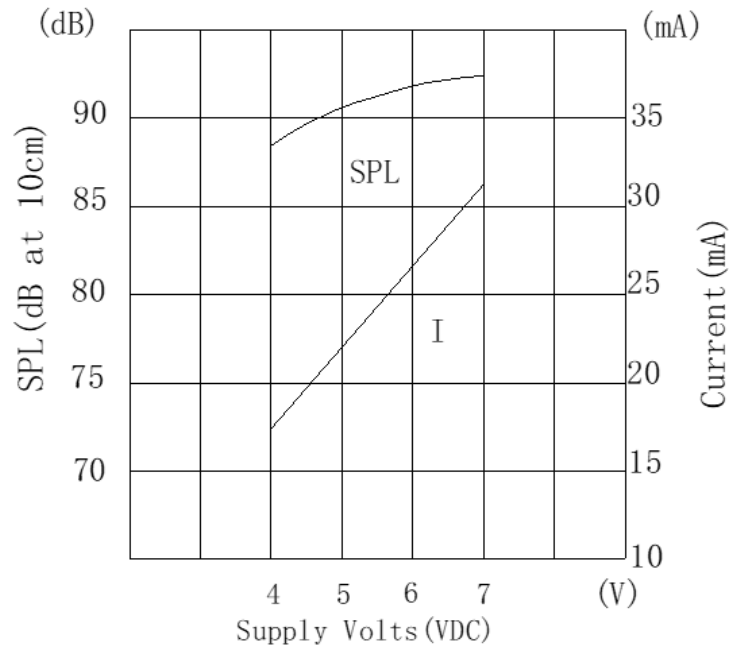
Parameters	Values	Units
Rated Voltage	5	V _{DC}
Operating Voltage Range	4 ~ 7	V _{DC}
Current Draw at Rated Voltage	30	mA
Minimum SPL @ 10cm	85	dBA
Resonant Frequency	2,300±300	Hz
Tone or Pulse Rate	Continuous	-
Housing Material	PBT	-
Terminal Material	Sn Plated Red Copper(DSn)	-
Weight	2	Grams
Acceptable Soldering Methods	Hand Solder, Wave Solder	-
Environmental Compliances	RoHS/REACH	-
Storage Temperature	-40 ~ +85	°C
Operating Temperature	-40 ~ +85	°C

Measurement Method (Temperature: 25±3°C; Relative Humidity: 60% ~ 70%)

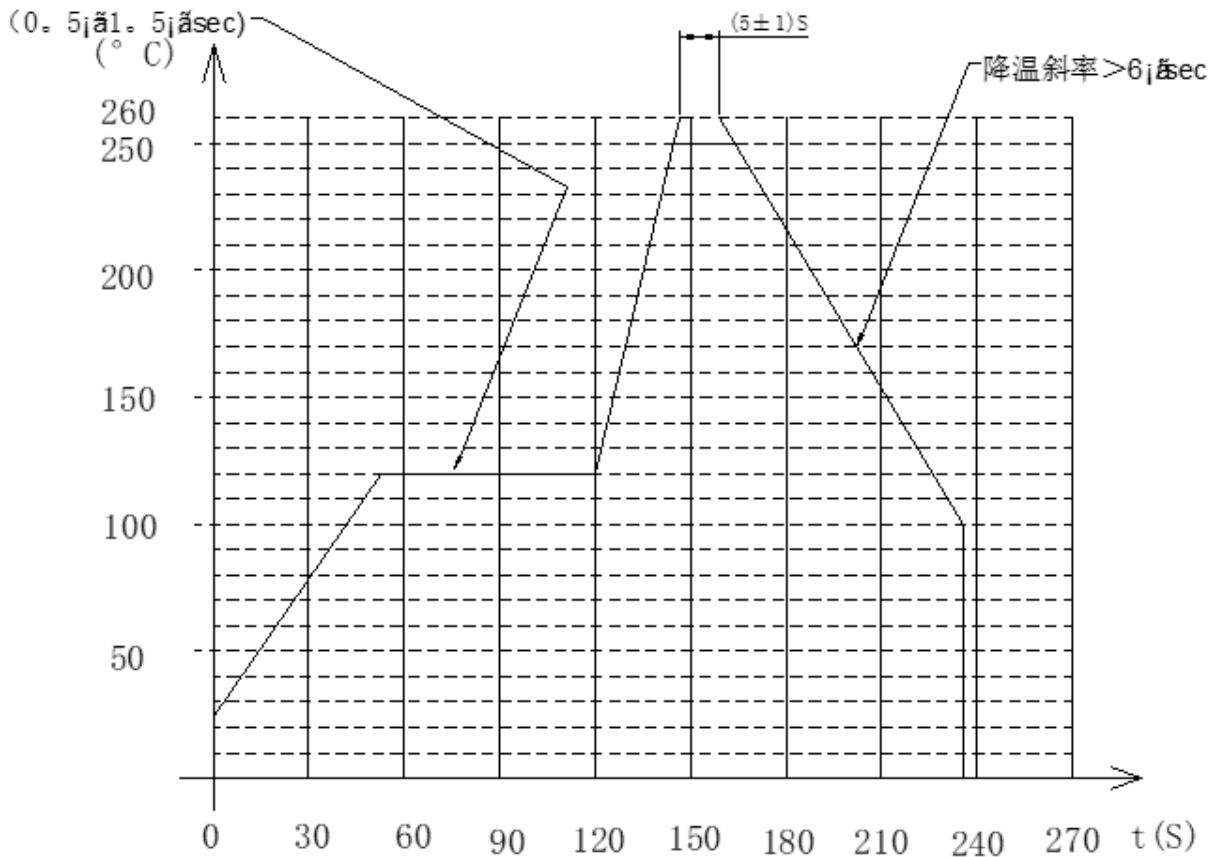
Standard test fixture (Distance: 10cm; Voltage: 5V_{DC})



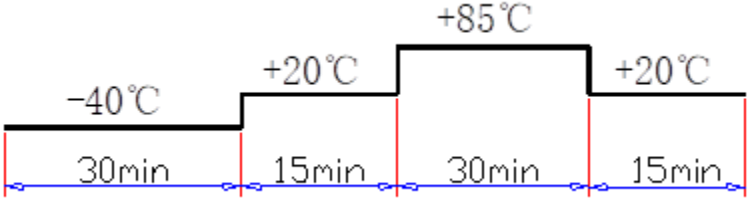
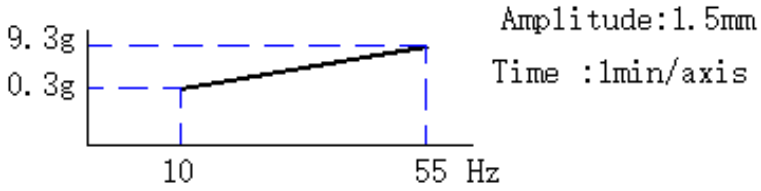
Typical SPL vs Input Voltage



Recommended Wave Soldering Procedure

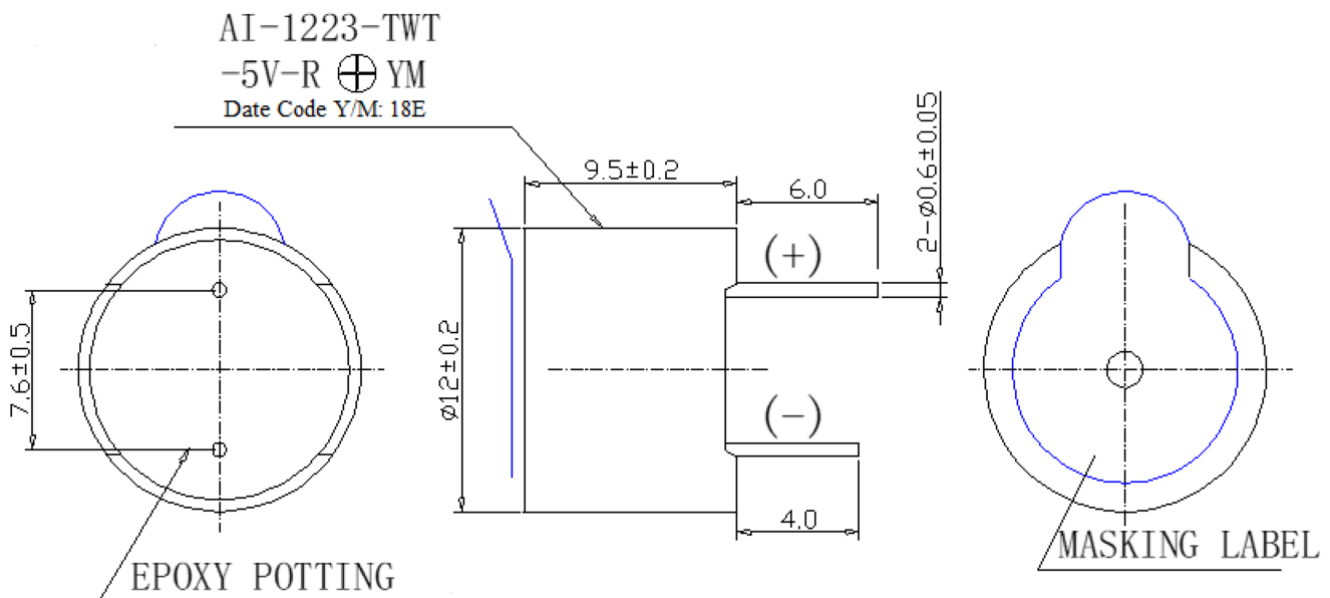


Reliability Testing

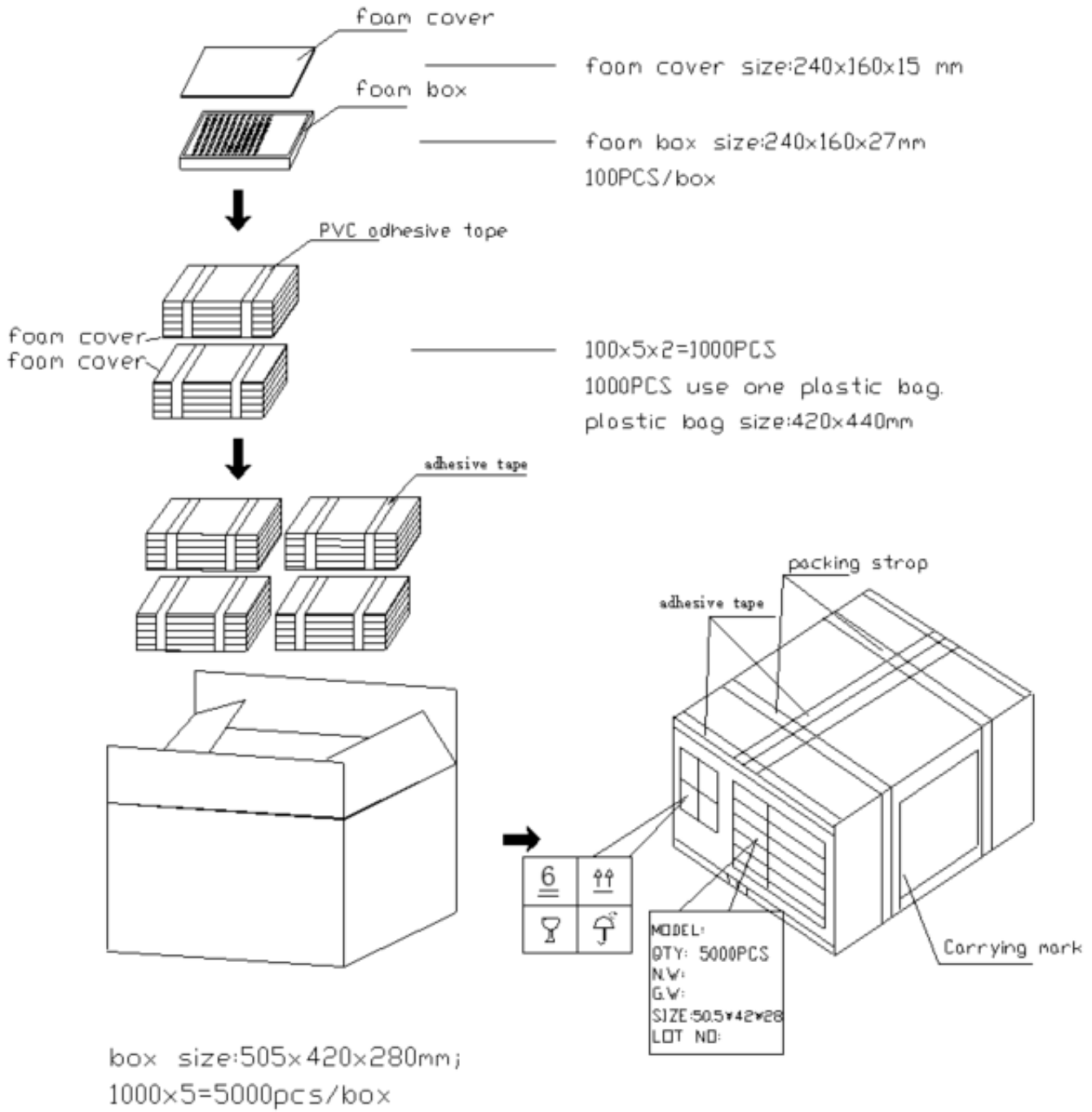
Type of Test	Test Specifications
High Temperature Test	85°C (±2°C) with random humidity for 96 hours.
Low Temperature Test	-40°C (±2°C) with random humidity for 96 hours.
Humidity Test	40°C (±2°C) with 90% to 95% relative humidity for 96 hours. Then expose to room temperature for 2 hours without applying power.
Temperature Cycle Testing	 <p>Complete the above test for 5 cycles without applying power. Then expose part to room temperature for 2 hours.</p>
Vibration Test	 <p>Complete the above test for X,Y,Z direction for 2 hours (total 6hrs).</p>
Drop Test	Drop from 100cm height onto 10mm thick wooden board in X,Y,Z direction.

***After tests, part SPL shall be within ± 5dB.**

Dimensions



Packaging



Specifications Revisions

Revision	Description	Date	Approved
-	RELEASED FROM ENGINEERING	06/10/2004	-
A	REMOVED LEAD FREE NOTE ADDED ROHS NOTE	08/11/2005	BR
B	REVISED DIMENSION SIZE AND STYLE	11/28/2005	BR
C	REVISED TO INVENTOR 3-D DRAWING TEMPLATE	10/08/2007	BR
D	REVISED OPERATING AND STORAGE TEMPERATURES	12/01/2010	BR
E	REVISED HOUSING MATERIAL	09/25/2012	BR
F	Update Spec Format, Revised Voltage Range, Add details for Reliability, Packaging, etc.	06/26/2024	ML

Note:

1. Unless otherwise specified:
 - A. All dimensions are in millimeters.
 - B. Default tolerances are $\pm 0.5\text{mm}$ and angles are $\pm 3^\circ$.
2. Specifications subject to change or withdrawal without notice.