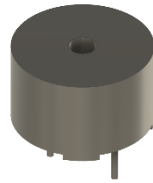




PUIaudio



Data Sheet

AI-1231-TWT-4

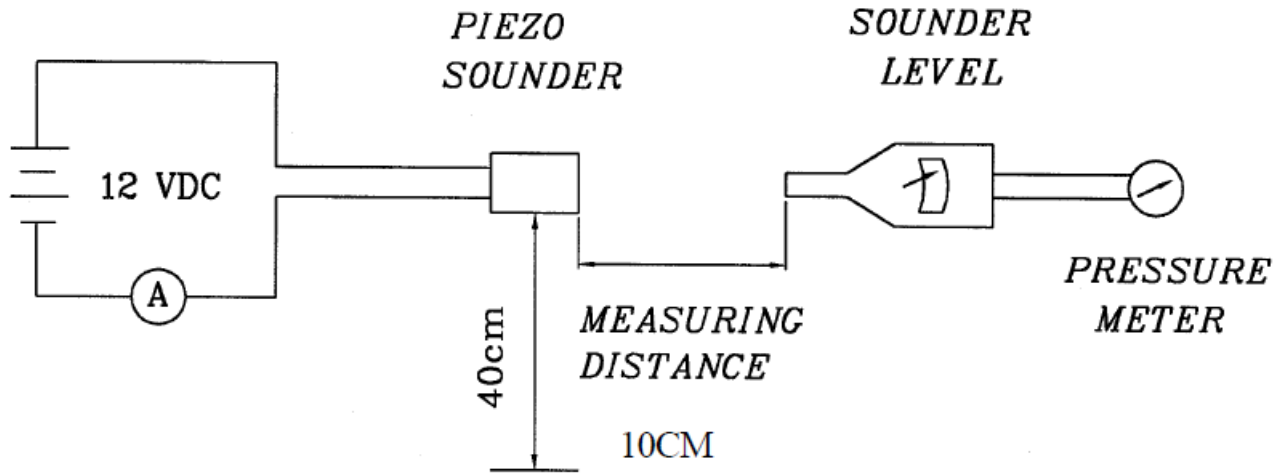
Features:

- Small profile indicator
- Through Hole for ease of installation
- 5 V_{DC} for ease of powering

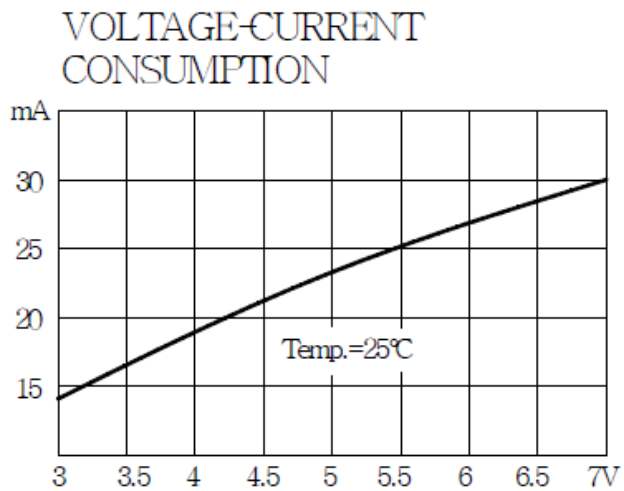
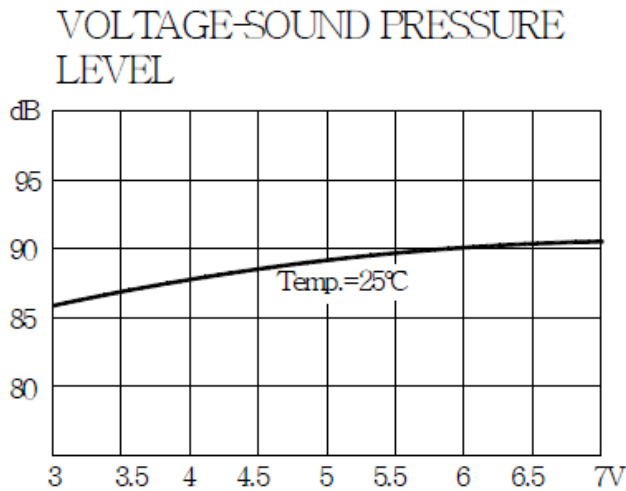
Specifications

Parameters	Values	Units
Rated Voltage	5	VDC
Operating Voltage Range	3 ~ 7	VDC
Current Draw at Rated Voltage	30	mA
Minimum SPL @ 10cm	83	dB
Resonant Frequency	3100 ± 500	Hz
Tone or Pulse Rate	Continuous	-
Housing Material	PBT (Black)	-
Terminal Material	Sn Plating	-
Weight	1.5	Grams
Environmental Compliances	<i>RoHS/REACH</i>	-
Storage Temperature	-30 ~ 80	°C
Operating Temperature	-20 ~ 70	°C

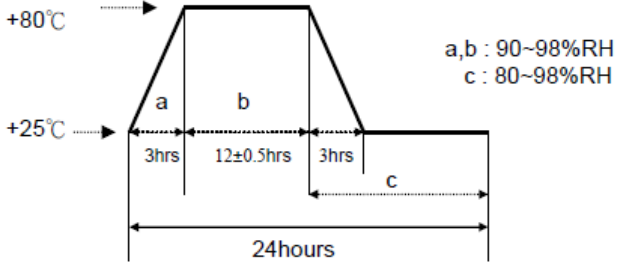
Measurement Method (5Vdc; 3,100 Hz)



Typical SPL vs Input Voltage

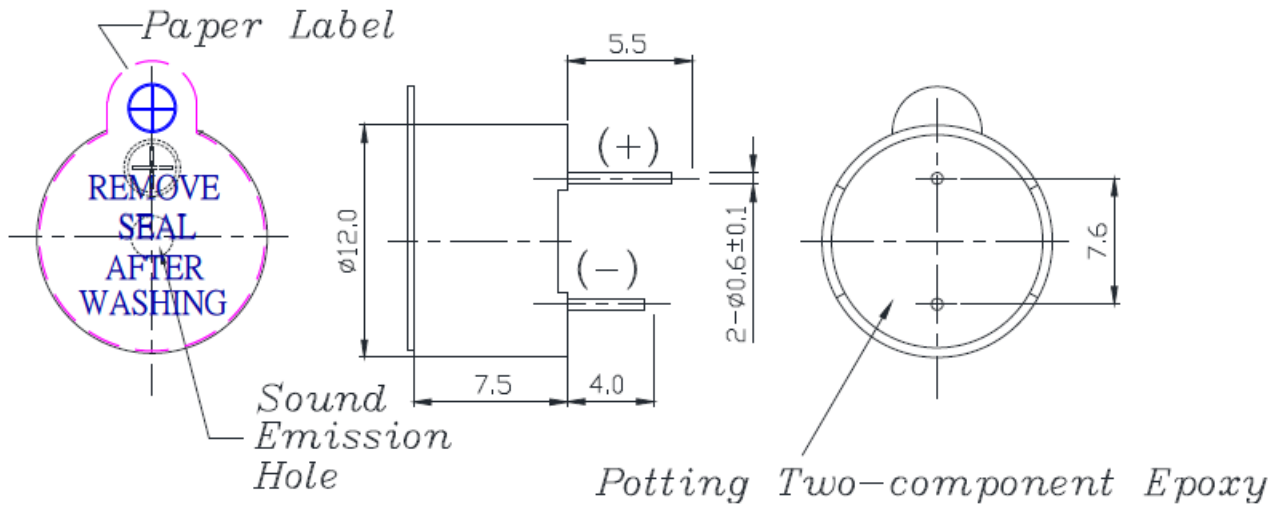


Reliability Testing

Type of Test	Test Specifications
High Temperature Test	96 hours at 80°C
Low Temperature Test	96 hours at -30°C
Temperature Cycle Testing	Run for 10 cycles with each cycle consisting of: 
Vibration Test	Frequency: 10Hz to 55Hz; Amplitude: 1.55mm 2 hours in each of the X,Y, and Z axes
Drop Test	Drop from a height of 75cm onto a 40mm thick board 3 times in each of the X, Y, and Z axes

After each test, let the part rest for 4 hours, then the change in SPL shall be within $\pm 10\text{dB}$

Dimensions



Packaging

Tray	184mmx184mmx23mm	10x10PCS=100PCS
Out Box	200mmx190mmx100mm	5LAYERx100PCS=500PCS
Carton Box	440mmx400mmx310mm	500PCSx12=6,000PCS

Specifications Revisions

Revision	Description	Date	Approved
A	Released from Engineering	11/27/24	JD

Note:

- Unless otherwise specified:
 - All dimensions are in millimeters.
 - Default tolerances are $\pm 0.5\text{mm}$ and angles are $\pm 3^\circ$.
- Specifications subject to change or withdrawal without notice.