



# PUI audio



Data Sheet

AI-2437-TWT-2-R

## Features:

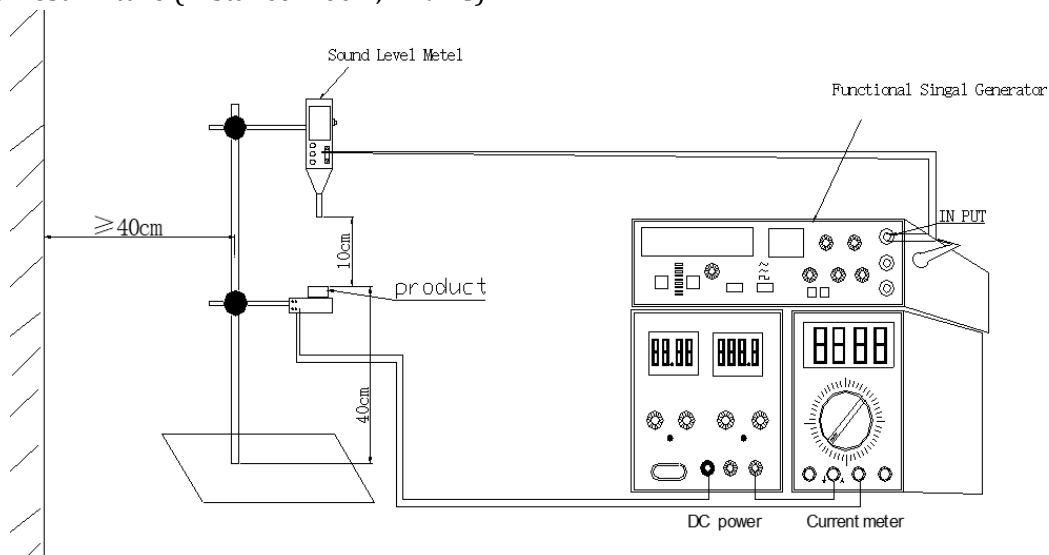
- Piezo Indicator
- 12VDC rated, 3700Hz
- Top-Firing Thru-Hole Type
- Wave Solder and Wash allowed

## Specifications

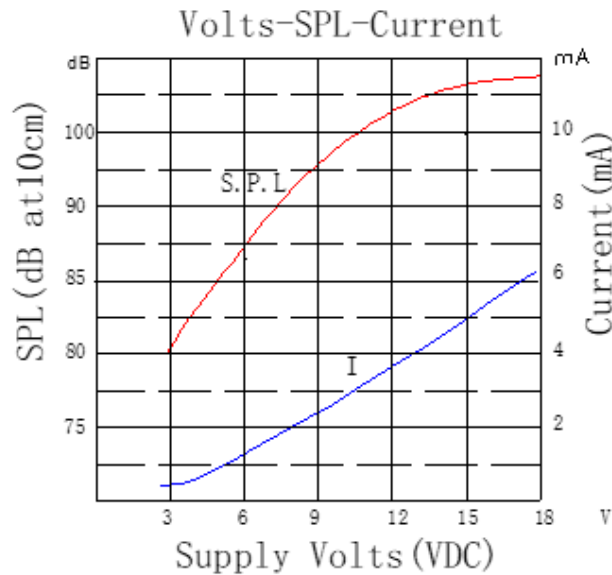
Parameters	Values	Units
Rated Voltage	12	VDC
Operating Voltage Range	3 ~ 16	VDC
Current Draw at Rated Voltage	8(Max.)	mA
Minimum SPL @ 10cm	100	dBA
Resonant Frequency	3,700 ± 500	Hz
Tone or Pulse Rate	Continuous	-
Housing Material	Noryl	-
Terminal Material	Sn Plated Red Copper(DSn)	-
Weight	6	Grams
Acceptable Soldering Methods	Hand Solder, Wave Solder	-
Environmental Compliances	RoHS/REACH	Ex. 7c-1
Storage Temperature	-40 ~ +85	°C
Operating Temperature	-30 ~ +70	°C

## Measurement Method (Temperature: 25±3°C; Relative Humidity: 60% ~ 70%)

Standard Test Fixture (Distance: 10cm, 12VDC)



## Typical SPL vs Input Voltage

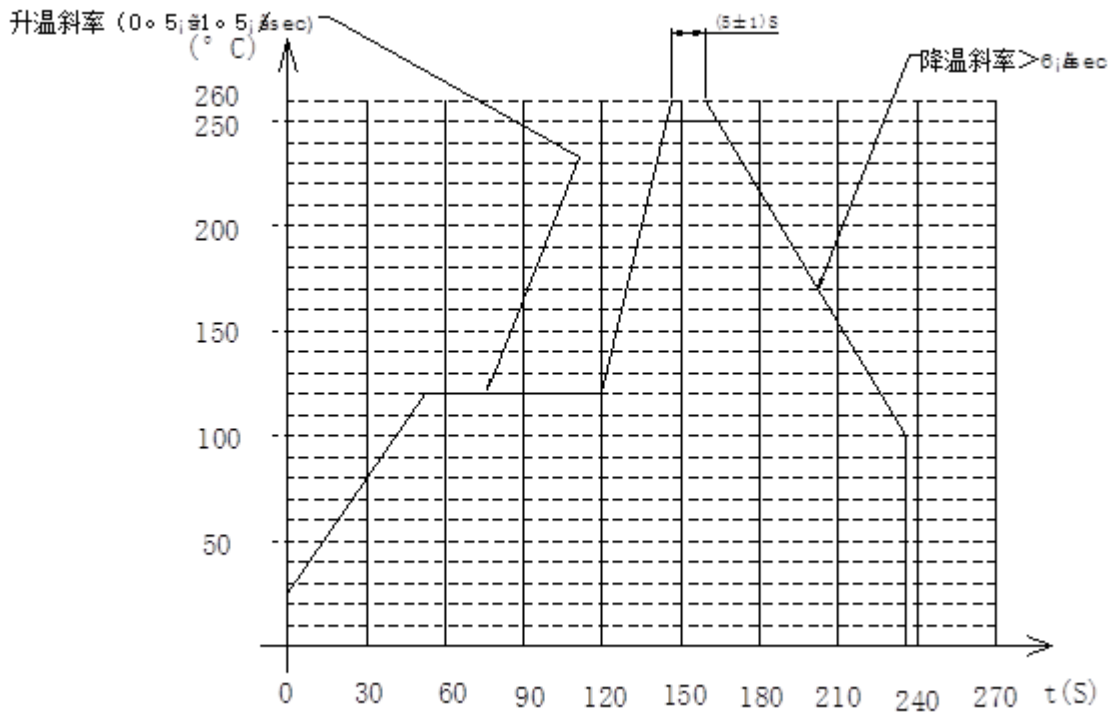


## Reliability Testing

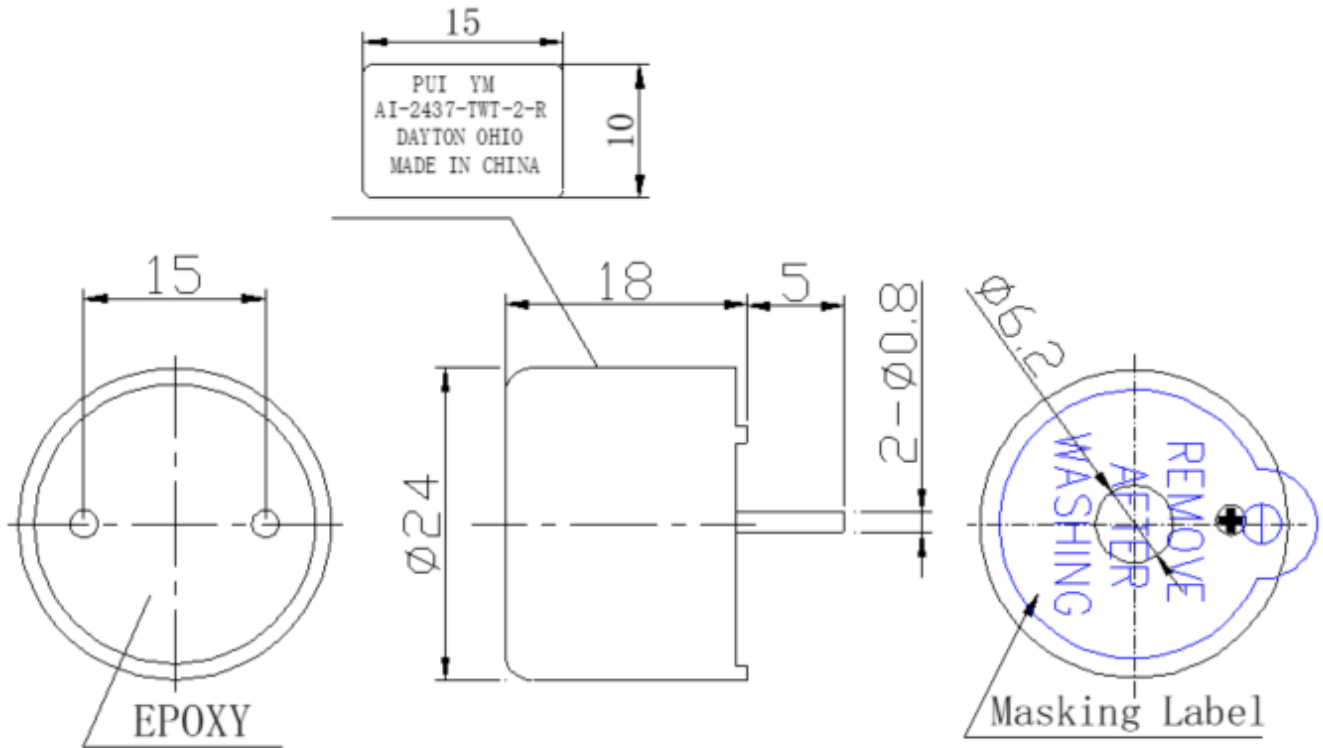
Type of Test	Test Specifications
High Temperature Test	Storage in $+85^{\circ}\text{C} \pm 2^{\circ}\text{C}$ test box for 96 hours, then expose to the room temperature for 2 hours without applying power.
Low Temperature Test	Storage in $-40^{\circ}\text{C} \pm 2^{\circ}\text{C}$ test box for 96 hours, then expose to the room temperature for 2 hours without applying power.
Humidity Test	Storage in $+40^{\circ}\text{C} \pm 2^{\circ}\text{C}$ 90-95%RH test box for 96 hours, then expose to the room temperature for 2 hours without applying power.
Temperature Cycle Testing	<p>Make this test for 5 cycles without applying power, then expose to the room temperature for 2 hours.</p>
Vibration Test	<p>Amplitude: 1.5mm Time : 1min/axis</p> <p>Make this test for the directions of X, Y, Z for 2 hours each (total 6 hours)</p>
Drop Test	Free drop a unit from the height 70cm to the surface of 10mm thick board, three directions (X, Y, Z).

**Part shall pass tests within SPL of  $\pm 5\text{dB}$ .**

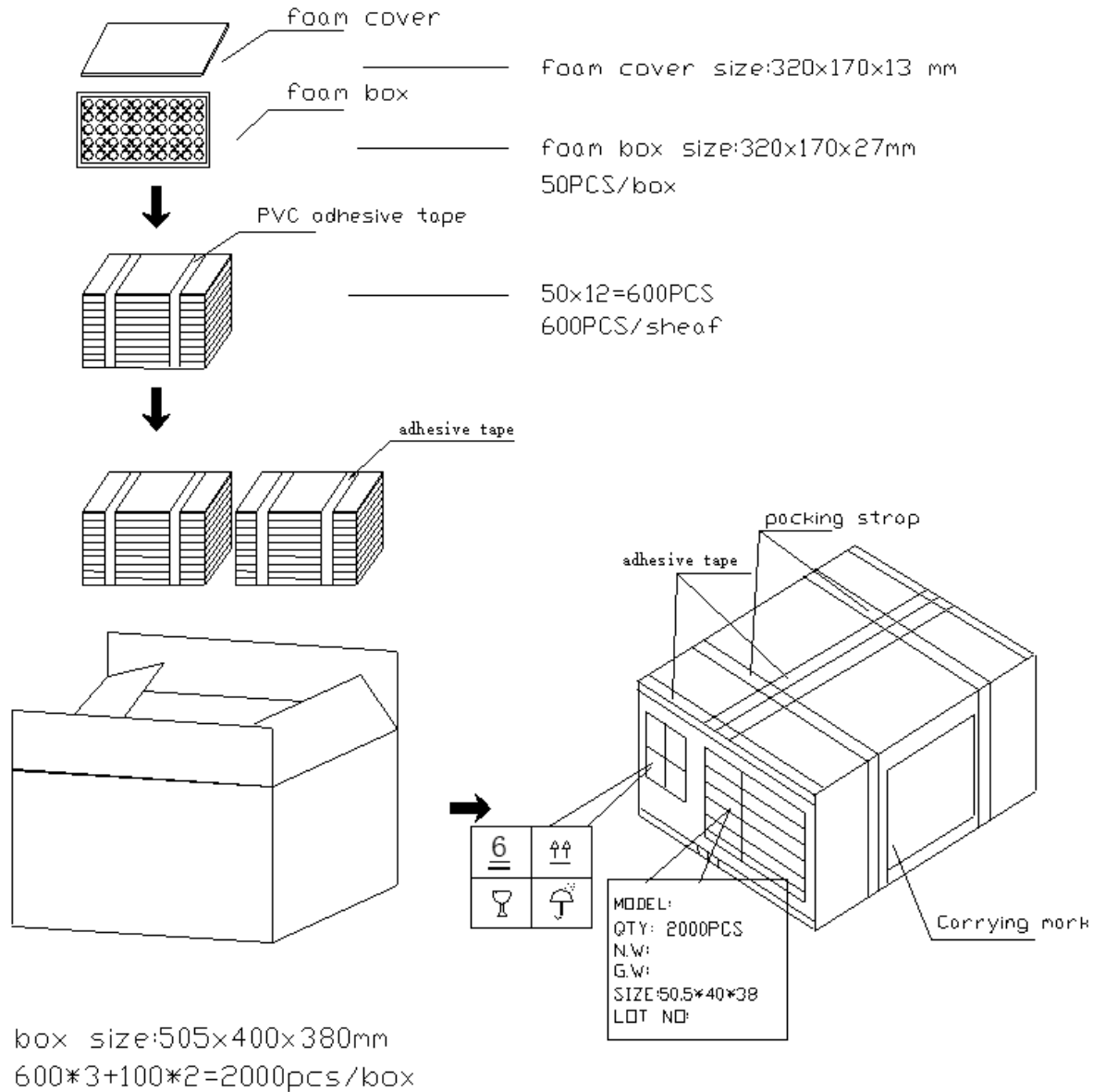
## Recommended Wave Solder Profile



## Dimensions



## Packaging



### Specifications Revisions

Revision	Description	Date	Approved
A	RELEASED FROM ENGINEERING	04/21/2015	-
B	Update Specification Format, Add Details for Wave Soldering, SPL Curve, etc.	07/06/2024	ML

Note:

- Unless otherwise specified:
  - All dimensions are in millimeters.
  - Default tolerances are  $\pm 0.5\text{mm}$  and angles are  $\pm 3^\circ$ .
- Specifications subject to change or withdrawal without notice.