



Data Sheet

AI-4228-P-C18-3-R

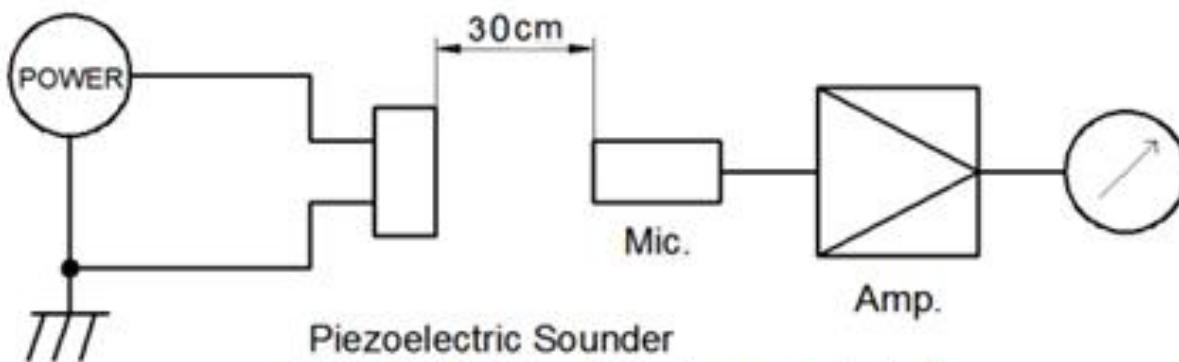
Features:

- 90 dB output with 12 VDC and 2900 Hz input
- Continuous tone
- Hand solder acceptable

Specifications

Parameters	Values	Units
Rated Voltage	12	VDC
Operating Voltage Range	3 ~ 20	VDC
Current Draw at Rated Voltage	≤20	mA
Minimum SPL @ 30cm	≥90	dBA
Resonant Frequency	2900±500	Hz
Tone or Pulse Rate	Continuous	-
Housing Material	ABS	-
Weight	33.5	Grams
Acceptable Soldering Methods	Hand Solder	-
Environmental Compliances	RoHS	-
Storage Temperature	-30 ~ +80	°C
Operating Temperature	-20 ~ +70	°C

Measurement Method (12V0-p, 2900Hz, wave with a SPL meter at 10cm)

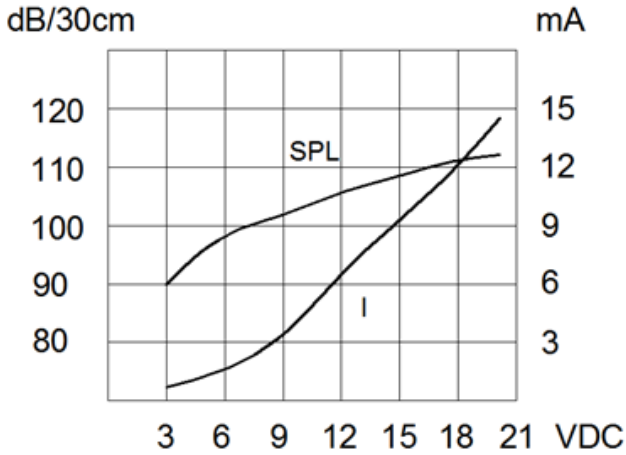


Piezoelectric Sounder

MIC: ND10 Sound Meter or equivalent

DC Power Supply: QJ6003S or equivalent

Typical SPL vs Input Voltage

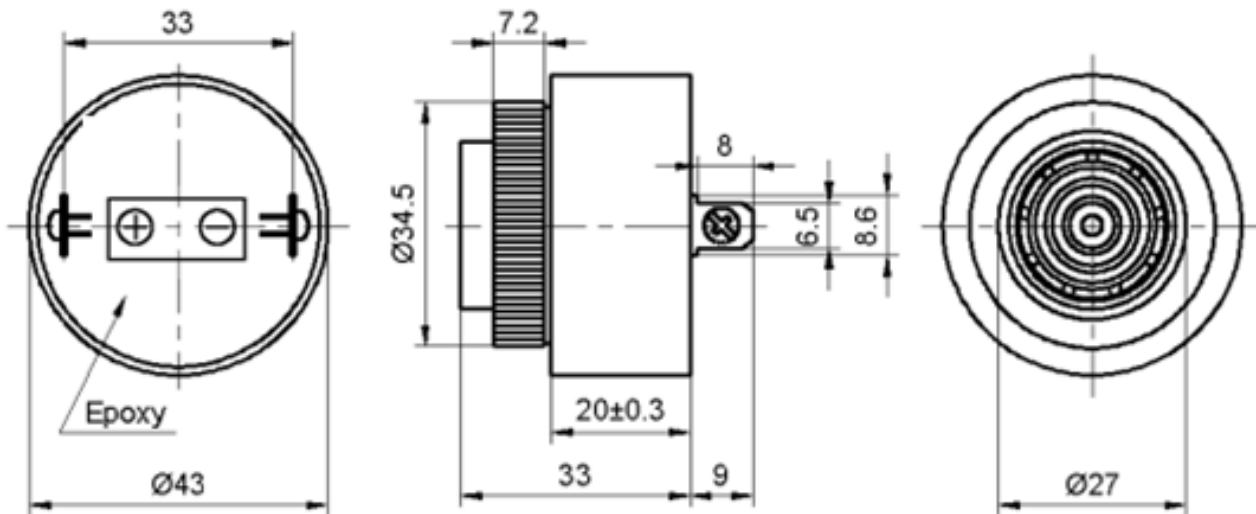


Reliability Testing

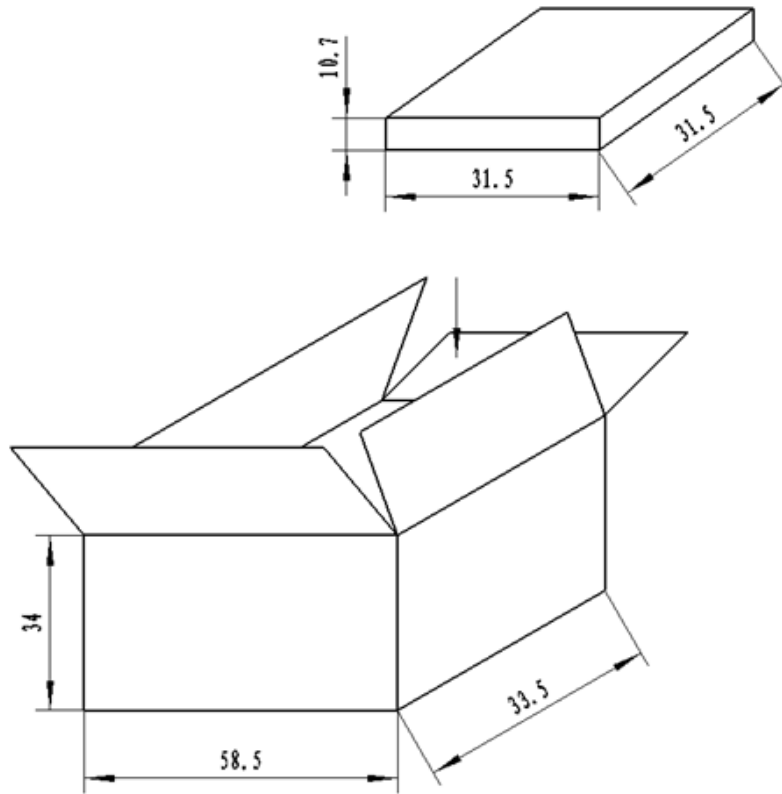
Type of Test	Test Specifications
High Temperature Test	+80±2°C, 96Hrs
Low Temperature Test	-30±2°C, 96Hrs
Humidity Test	40±2°C, 93(+2/-3) % RH for 96Hrs
Temperature Cycle Testing	-30±2°C, 30minutes +20±2°C, 15 minutes +80±2°C, 30 minutes +20±2°C, 15 minutes Total of 5 cycles
Vibration Test	10 to 55Hz band of vibration frequency to each of 3 perpendicular directions for 2 hrs.
Drop Test	The part shall be dropped from the height of 70cm onto a 10mm thick wooden board; 3 times per axial direction (x, y & z) (a total of 9 times).

After being placed for 2 to 4hrs at room temp, the product shall meet specifications, except the SPL should be within ±10dB compared with the initial value.

Dimensions (Units: mm Tolerance: ±0.5mm)



Packaging



NOTES:

- 1.98 PCS per box
- 2.Total 5 boxes per carton
- 3.Total 490 PCS carton
- 4.Volume: $58.5 \times 33.5 \times 34\text{cm}$

Specifications Revisions

Revision	Description	Date
-	Released from Engineering	

Note:

- 1. Unless otherwise specified:
 - A. All dimensions are in millimeters.
 - B. Default tolerances are $\pm 0.5\text{mm}$ and angles are $\pm 3^\circ$.
- 2. Specifications subject to change or withdrawal without notice.