



PUIaudio



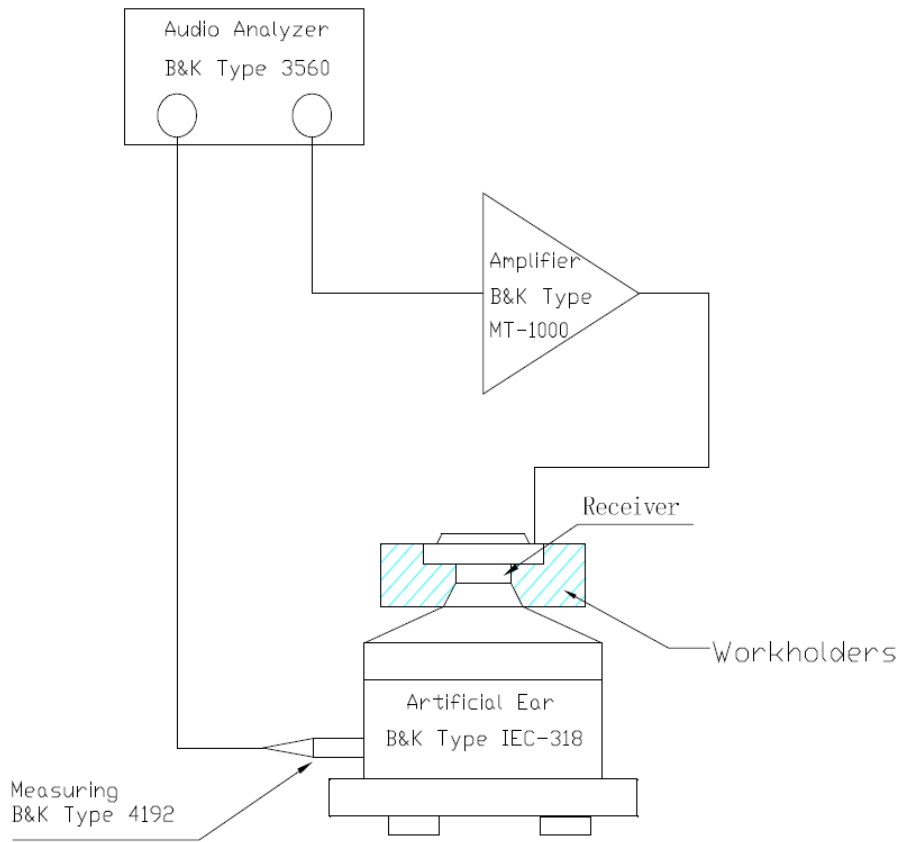
Data Sheet

AR03032MR-R

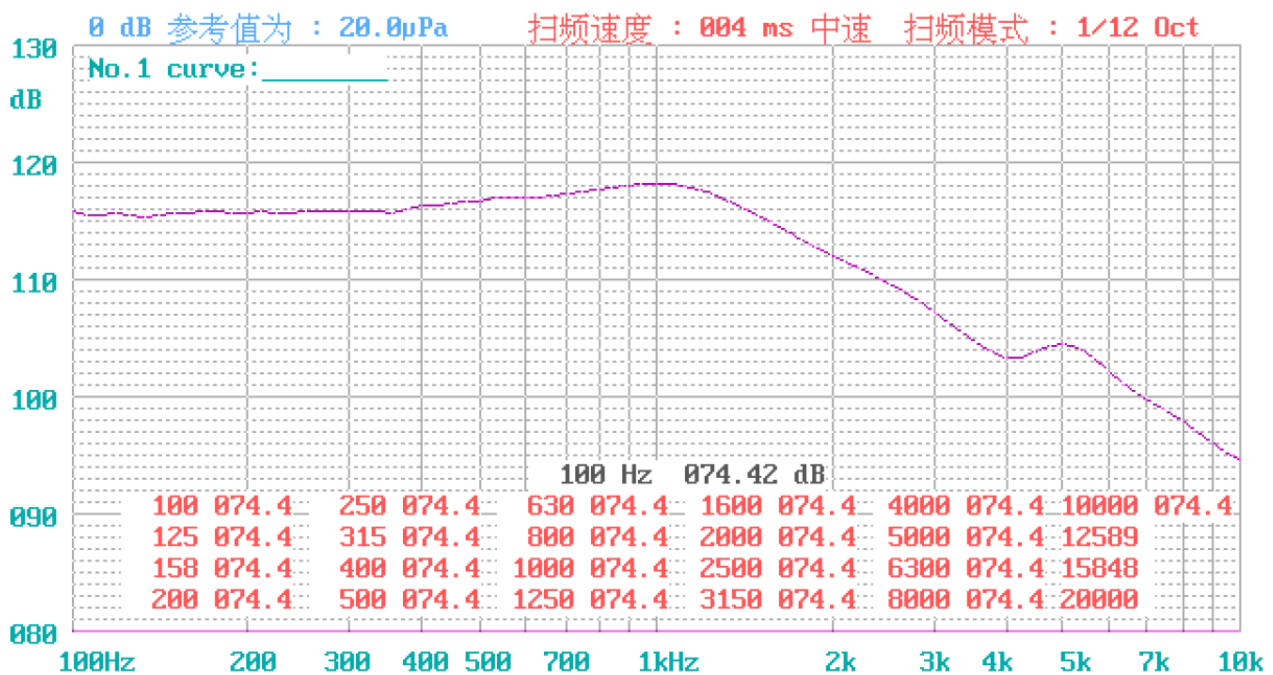
Specifications

| Parameters | Values | Units |
|---------------------------|--|---------|
| Rated Input Power | 20 | mWatts |
| Max Input Power | 30 | mWatts |
| Impedance | $32 \pm 15\%$ | Ohms |
| Sensitivity (SPL @ 1kHz) | 115 ± 3 | dB Pa/V |
| Frequency Range | 60 ~ 10,000 | Hz |
| Magnet Material | NdFeB | - |
| Diaphragm Material | Mylar | - |
| Weight | 5.8 | Grams |
| Environmental Compliances | ROHS/REACH | - |
| Polarity | When positive voltage is applied to the positive terminal, the diaphragm will move outward | - |
| Buzz, Rattle, etc. | Must be normal at sine wave between 60 ~10k Hz | - |
| Operating Temperature | -20 ~ +60 | °C |
| Storage Temperature | -30 ~ +60 | °C |

Measurement Method (measured with 1mW)



Frequency Response (measured at 0.8 Vrms)

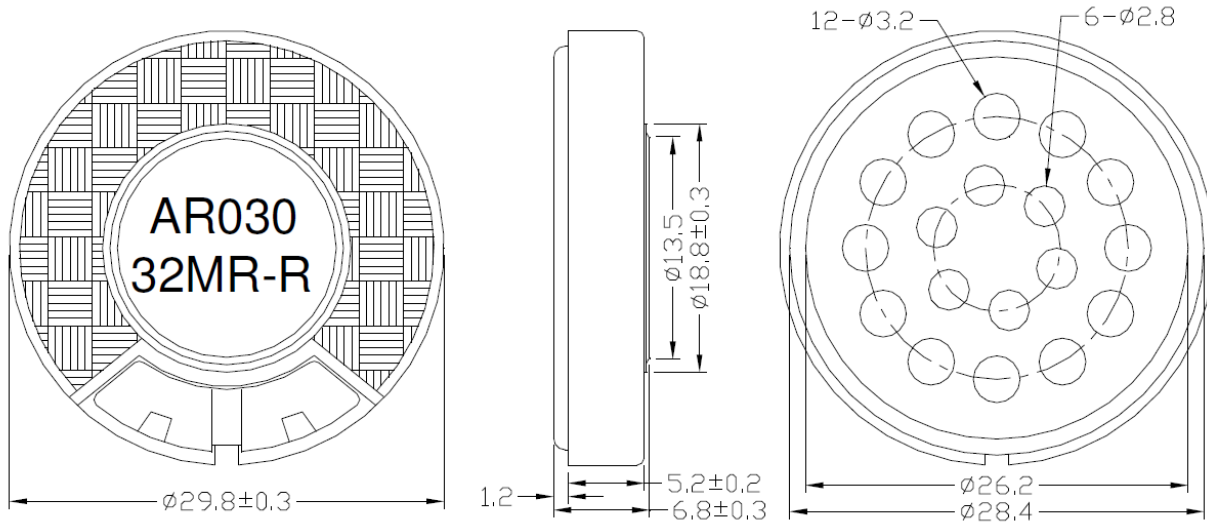


Reliability Testing

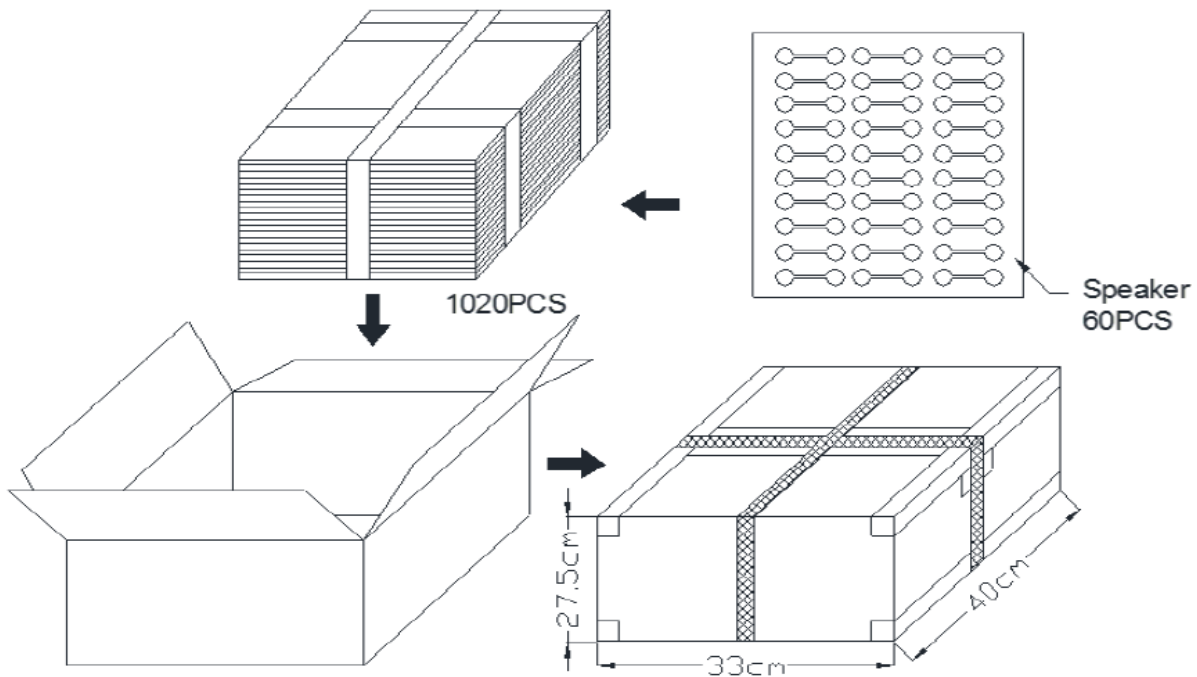
| Type of Test | Test Specifications |
|------------------------------|---|
| High Temperature Test | 96 hours at $+60^{\circ}\text{C} \pm 2^{\circ}\text{C}$ followed by six hours in normal room temperature |
| Low Temperature Test | 96 hours at $-20^{\circ}\text{C} \pm 2^{\circ}\text{C}$ followed by six hours in normal room temperature |
| Humidity Test | 48 hours at $+40^{\circ}\text{C} \pm 2^{\circ}\text{C}$ with relative humidity at 90~95% followed by six hours in normal room temperature |
| Temperature Cycle Testing | <p>The part shall be subjected to 5 cycles using the following procedure:</p> |
| Vibration Test | Frequency 30 ± 15 Hz, Amplitude 1.5 mm for 3 Hours |
| Drop Test | 75 CM free falling on Concrete floor, 10 times |
| Load Test and Max Power Test | White noise is applied at the speakers rated power for 96 hours at room temperature |

After each test, the speaker's SPL shall be ± 3 dB of the original SPL

Dimensions (Positive is the left spring contact in the suggested pad layout drawing)



Packing



Specifications Revisions

| Revision | Description | Date |
|-----------------|---------------------------|-------------|
| A | Released from Engineering | 6/24/2013 |

Note:

- 1. Unless otherwise specified:
 - A. All dimensions are in millimeters.
 - B. Default tolerances are $\pm 0.5\text{mm}$ and angles are $\pm 3^\circ$.
- 2. Specifications subject to change or withdrawal without notice.