



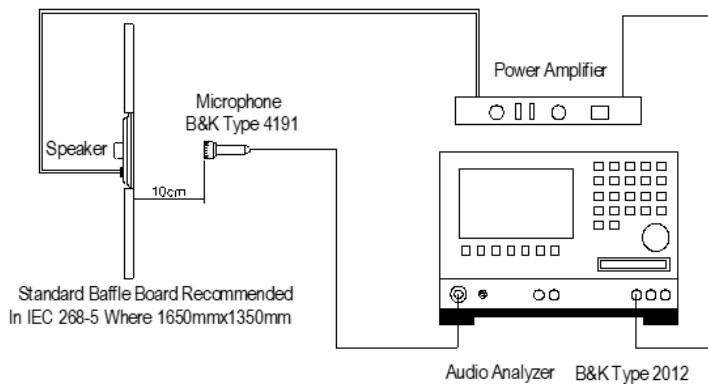
Data Sheet	AS01506MS-SC15-WP-3-R
------------	-----------------------

Specifications

Parameters	Values	Units
Rated Input Power	1	Watts
Max Input Power	1.2	Watts
Impedance	6 ± 20%	Ohms
Output SPL (2.45Vrms/10cm at 2KHz in 1cc box)	93 ± 3	dB
Resonant Frequency	650 ± 20%	Hz
Frequency Range	650 ~ 20k	Hz
THD	<10%	-
Frame Material	PBT	-
Magnet Material	NdFeB	-
Diaphragm Material	PEEK	-
Ingress Protection Rating	IP67	-
Weight	1.5	Grams
Buzz, Rattle, etc.	Must be free of audible noises from 200 Hz to 2 kHz, at 2.45 Vrms in 1 cc enclosure	-
Environmental Compliances	ROHS/REACH	-
Polarity	When a positive DC Current is applied to the voice coil terminal marked +or red ,the diaphragm shall move forward	-
Storage Temperature	-40 ~ 85	°C
Operating Temperature	-20 ~ 70	°C

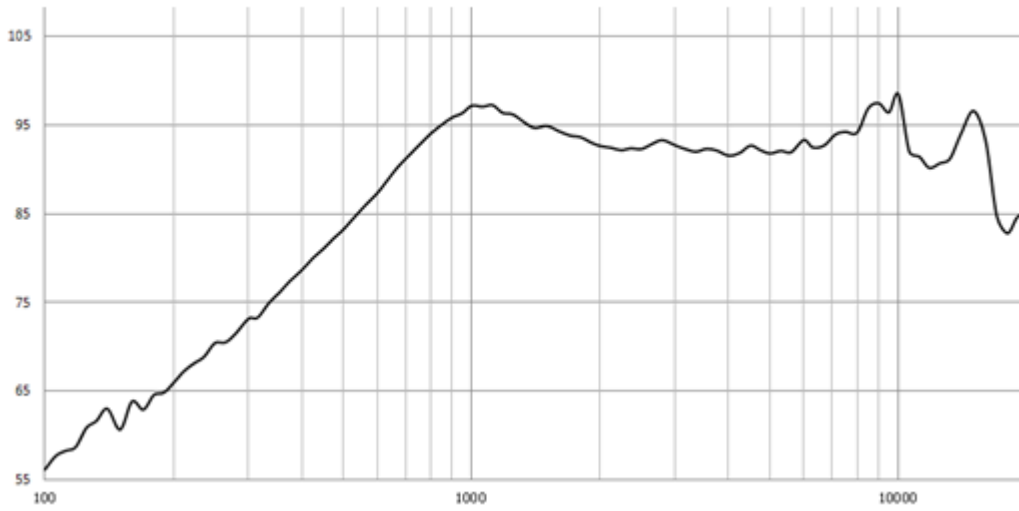
Measurement Method (Temperature: 15 ~ 35°C; Humidity: 25~75%; 2.45 Vrms)

Standard test condition of speaker



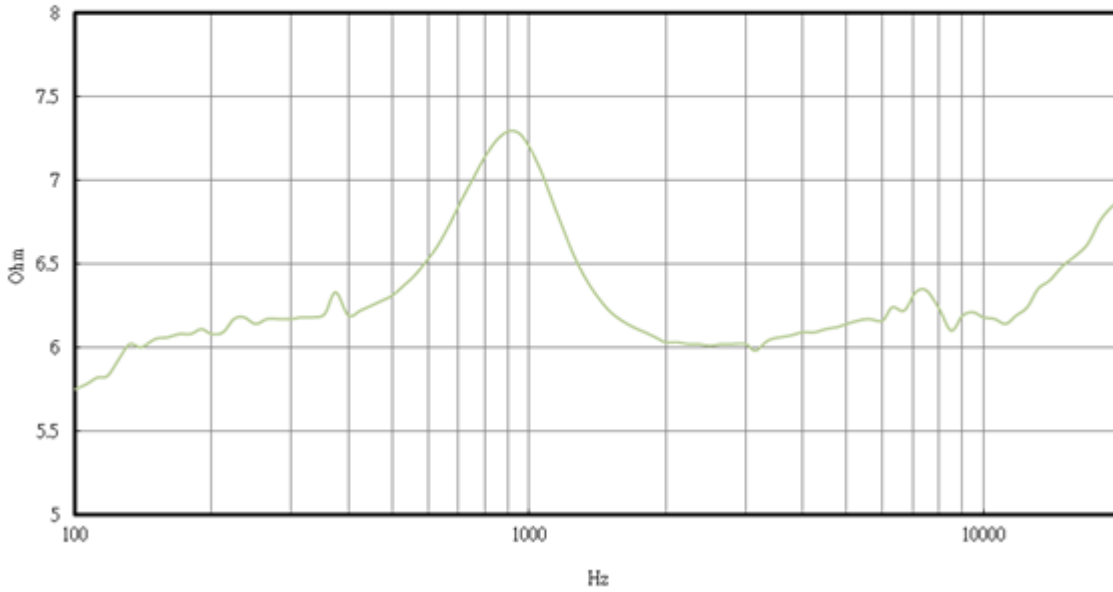
Typical Frequency Response

2.45Vrms/10cm in 1cc BOX

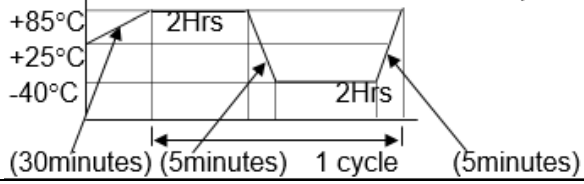


Typical Impedance Response

2.45Vrms/10cm in 1cc BOX

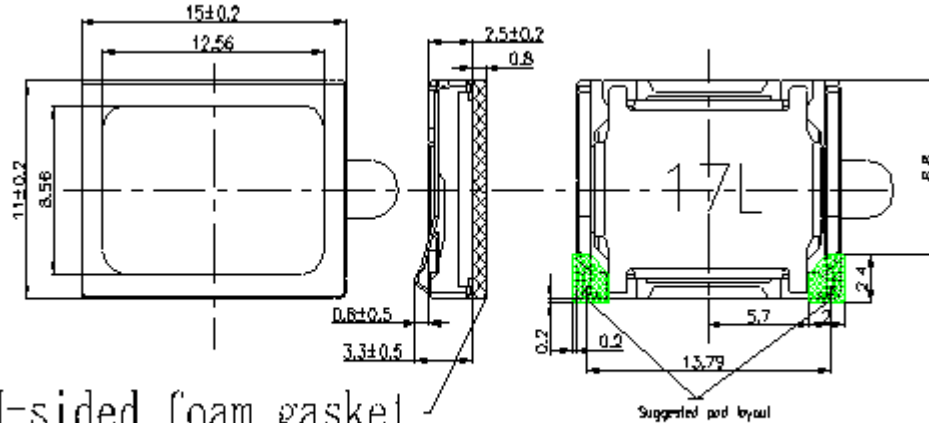


Reliability Testing

Type of Test	Test Specifications
High Temperature Test	96 hours at 85±3°C
Low Temperature Test	96 hours at -40±3°C
Humidity Test	96 hours at 40±3°C with relative humidity at 90~95%
Temperature Cycle Testing	The part shall undergo 12 cycles lasting 2 hours with 2 hours recovery, each cycle includes: 
Vibration Test	Frequency: 10~55~10Hz Oct/min; Amplitude: 1.5mm; Duration: 2 hours in each 3axes
Drop Test	The part shall be mounted in a 100g fixture, drop samples 1.5m; 2 drops on each side, 2 drops on each corner for a total of 20 drops
Load Test	Input power: 1W, Pink noise 96 hours in 1cc box.

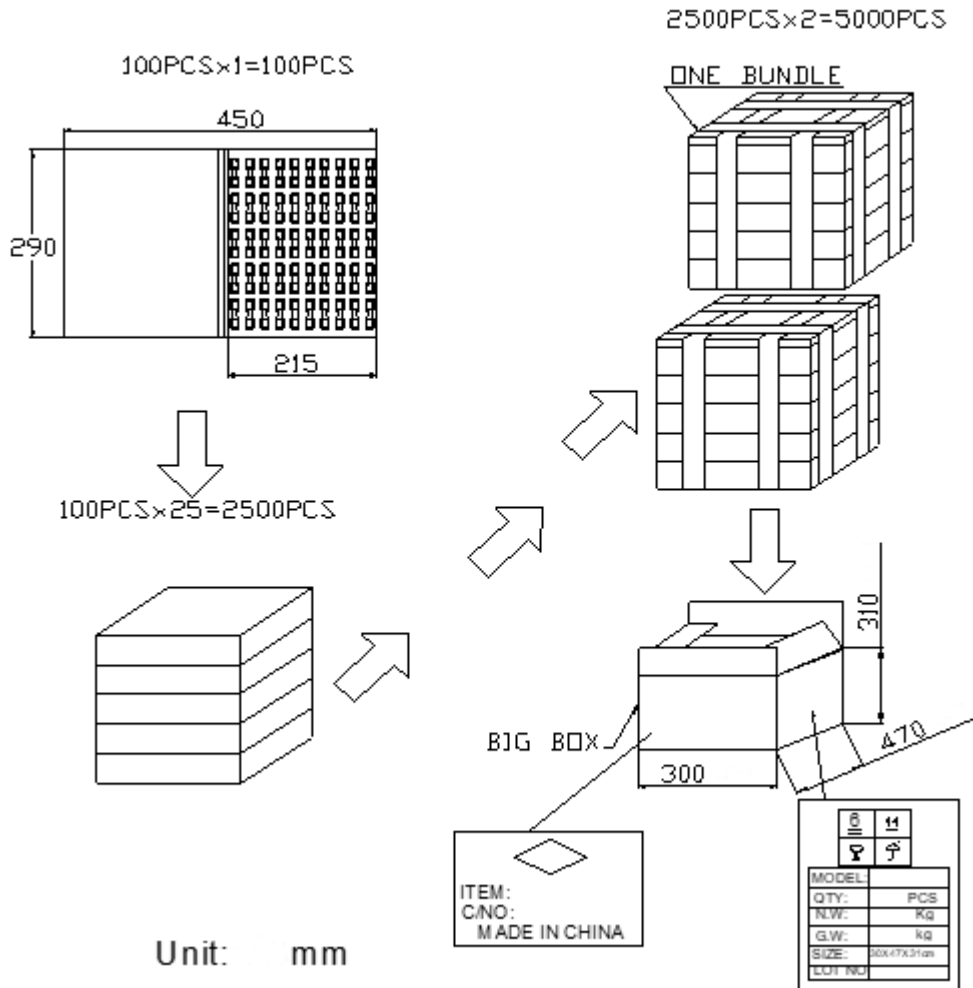
After these tests, the change of S.P.L shall be within ±3 dB with 6 hours recovery in standard room conditions.

Dimensions



0.8mm-sided foam gasket
 (3M 55261)

Packaging



Specifications Revisions

Revision	Description	Date
A	Released from Engineering	12/7/2018

Note:

- Unless otherwise specified:
 - All dimensions are in millimeters.
 - Default tolerances are $\pm 0.5\text{mm}$ and angles are $\pm 3^\circ$.
- Specifications subject to change or withdrawal without notice.