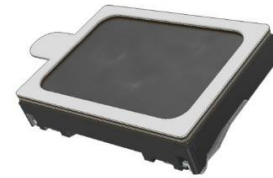




PUIaudio

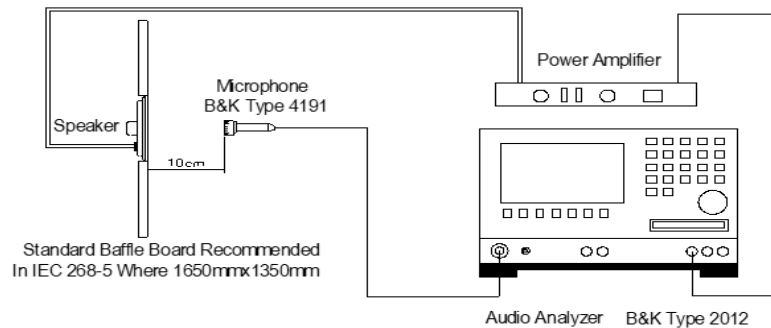


Data Sheet	AS01508MS-SC15-WP-2-R
------------	-----------------------

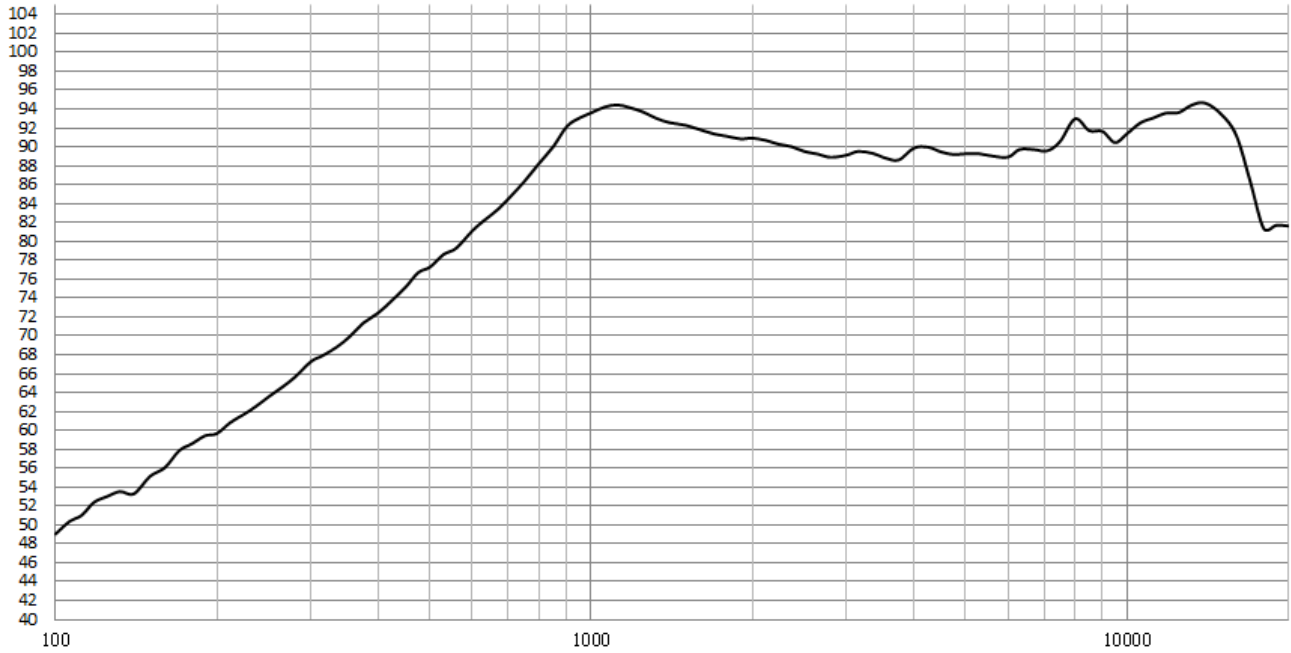
Specifications

Parameters	Values	Units
Rated Input Power	0.7	Watts
Max Input Power	1	Watts
Impedance	$8 \pm 15\%$	Ohms
Output SPL @ 2.37Vrms/10cm (1cc box)	92 ± 3	dB
In Free-Air (Avg. 0.8, 1.0, 1.2, 1.5 kHz)	85 ± 3	
Resonant Frequency (1cc box)	$1000 \pm 20\%$	Hz
RF Free Air	$700 \pm 20\%$	
Frequency Range	$F_0 - 20,000$	Hz
THD max. (1kHz, 0.1W)	10%	-
Diaphragm Material	Aluminum Cap PEEK	-
Frame Material	PPA	-
Magnet Material	NdFeB	-
Weight	1.5	Grams
Ingress Protection Rating	IP67	-
Buzz, Rattle, etc.	Should not be audible at 6.32Vrms sine wave between (90Hz-20kHz)	-
Environmental Compliances	ROHS/REACH	-
Polarity	Diaphragm to move in forward direction when +pos applied to pos+ terminal	-
Storage Temperature	-40 to 85	°C
Operating Temperature	-20 to 70	°C

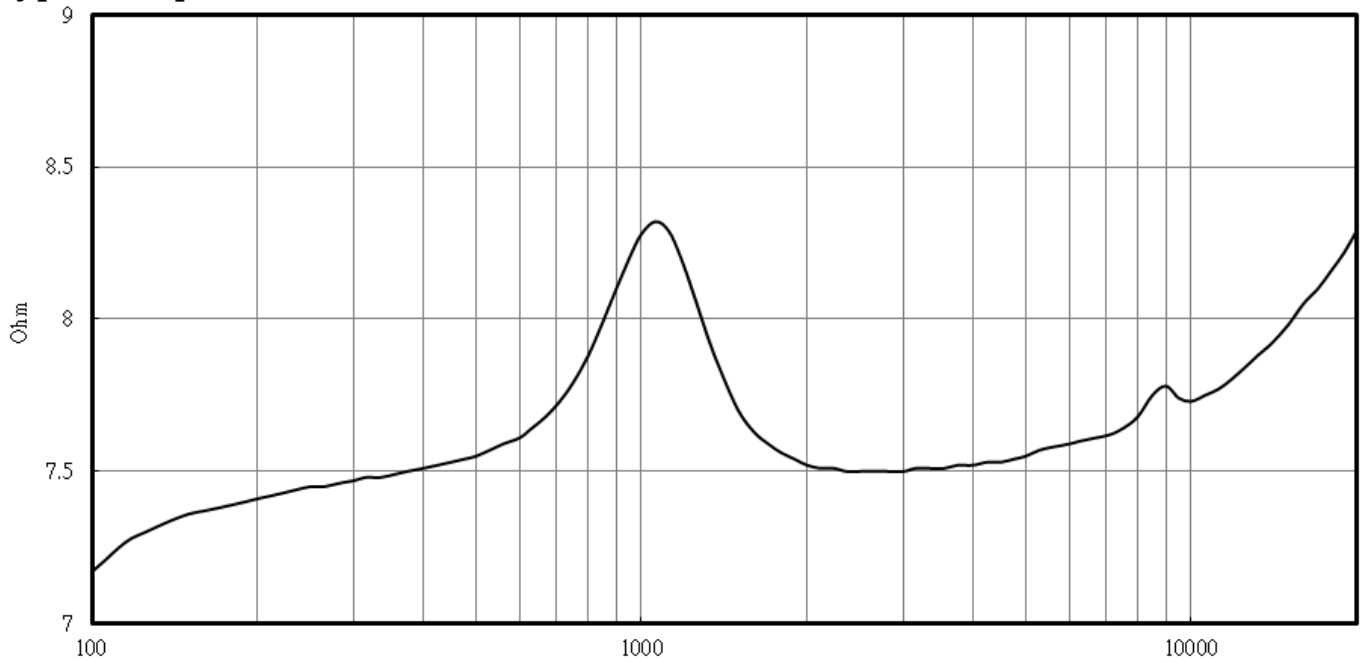
Measurement Method



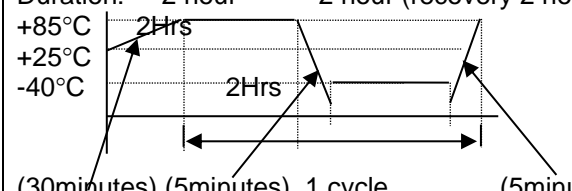
Typical Frequency Response (2.37Vrms, 10cm) 1cc box



Typical Impedance curve 1cc box (2.37Vrms)

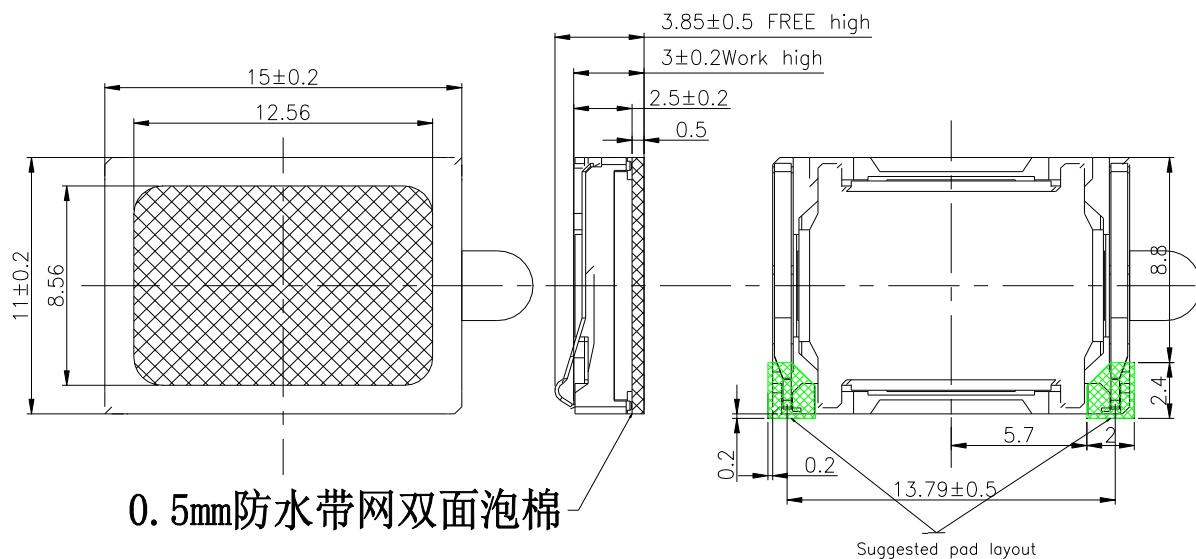


Reliability Testing

Type of Test	Test Specifications
High Temperature Test	96 hours at 85±3°C
Low Temperature Test	96 hours at -40±3°C
Humidity Test	96 hours at 40±3°C with relative humidity at 90~95% (recovery 6 hours)
Temperature Cycle Testing	Temperature: -40°C±3°C ↔ +85°C±3°C Cycle: 12 cycles Duration: 2 hour 2 hour (recovery 2 hours)  (30minutes) (5minutes) 1 cycle (5minutes)
Vibration Test	Frequency: 10~55~10Hz Oct/min. Amplitude: 1.5mm Duration: 2 hours each of 3 perpendicular directions
Drop Test	Height: 1.5m Cycle: 6 cycles (be mounted in a 100g fixture, drop samples 1.5m 2 drops on side(2*6), 2 drops on each corner(2*4). Total 20 drops total 18 times)
Load Test	Must perform normal with program White-Noise source at 0.7W for 96 Hours

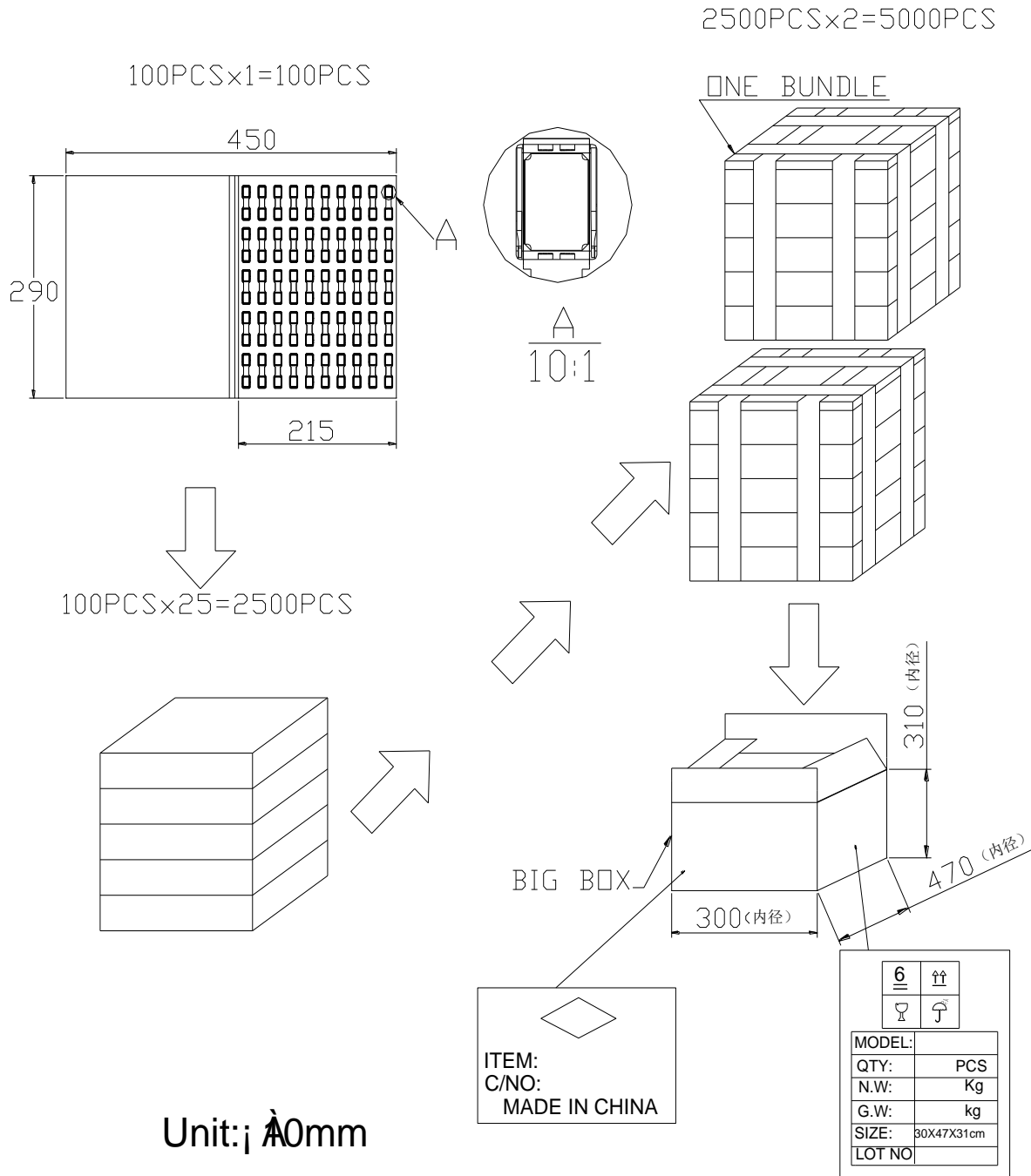
After each test let rest for 6 hours in standard room temperature, the part shall be within ±3dB.

Dimensions



注：未注公差按照±0.2

Packaging



Specifications Revisions

Revision	Description	Date
A	Released from Engineering	11/11/2020
B	Update performance values and dimensions	10/4/2022

Note:

- Unless otherwise specified:
 - All dimensions are in millimeters.
 - Default tolerances are ± 0.5 mm and angles are $\pm 3^\circ$.
- No change to specification without written consent and approval by customer.
- Part is IP67 rated from front of speaker only.