



# PUI audio



Datasheet

AS02204MR-2

The **AS02204MR-2** is designed for applications that require robust low-frequency response in compact designs.

## Features:

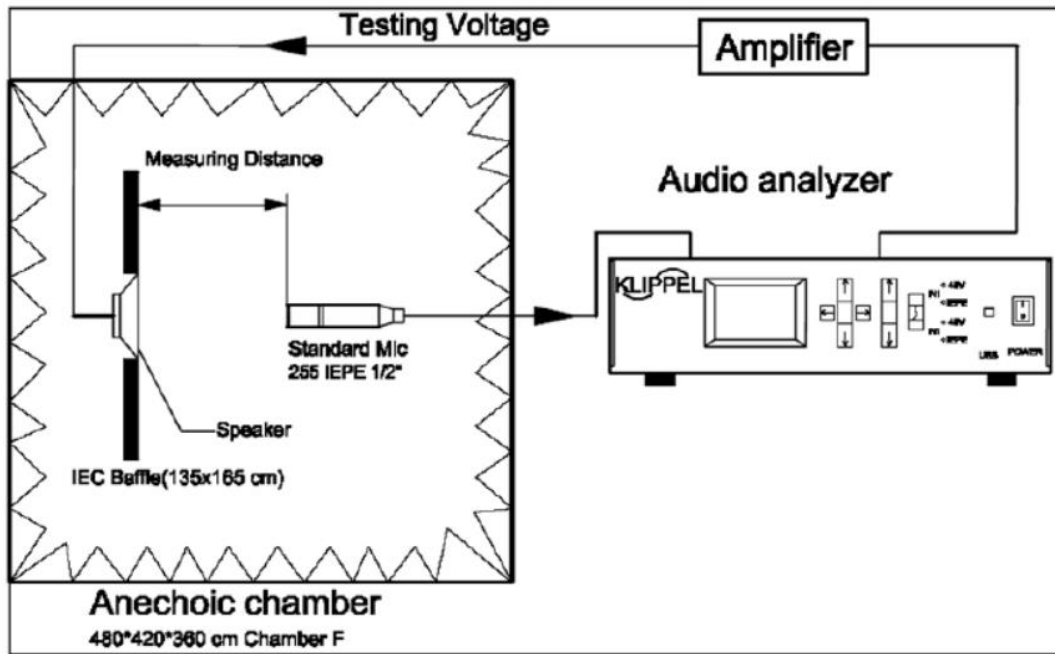
- 80dB SPL: 1 P<sub>DRIVE</sub> = 1W, distance = 0.5m
- 3.0W continuous dissipation
- 300Hz free-air resonance
- 22mm diameter x 7.6mm dimensions

## Specifications

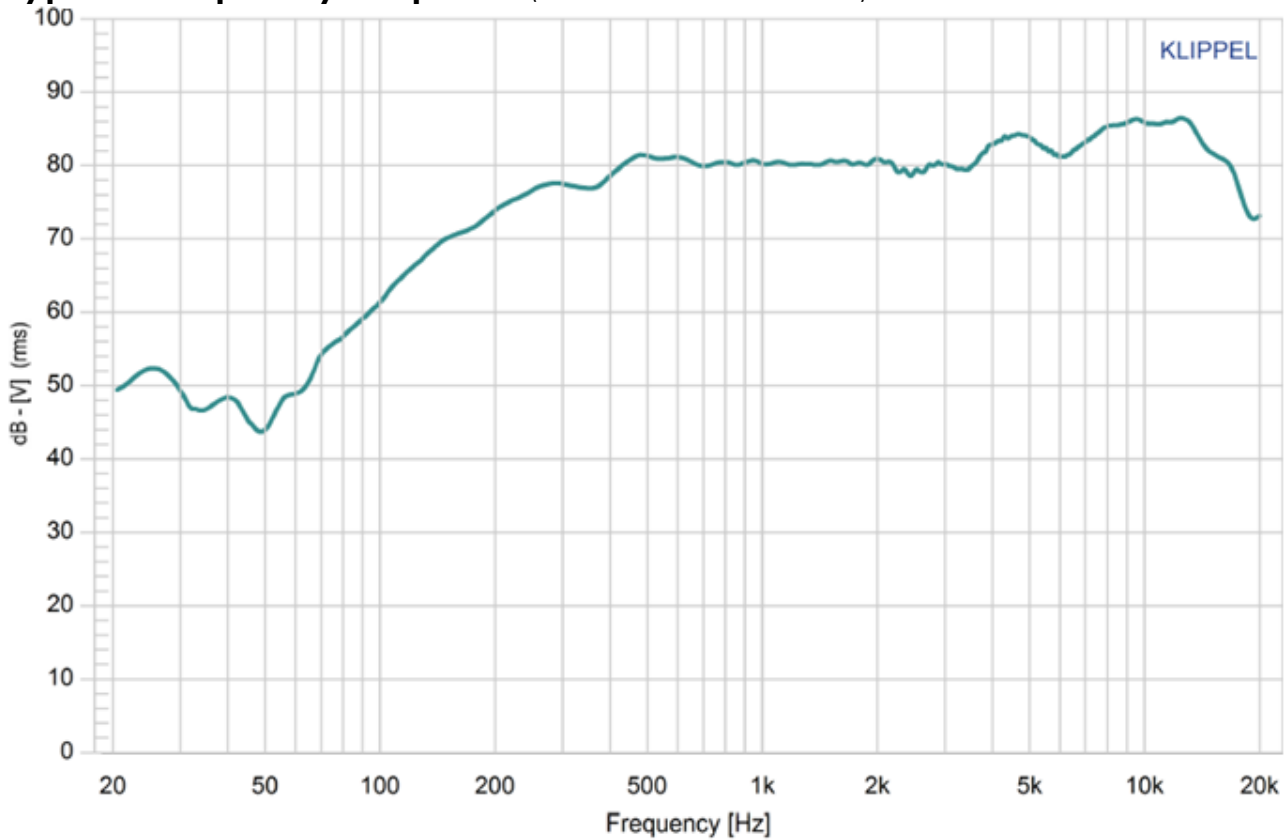
(Specifications measured with following conditions: ambient temperature; 15°C ≤ T<sub>A</sub> ≤ 35°C, relative humidity; 25% ≤ RH<sub>A</sub> ≤ 75%, according to standard GB/T9396-1996, unless otherwise stated. Judgement Condition: ambient temperature; 20 ± 2°C; relative humidity; 63% ≤ RH<sub>A</sub> ≤ 67%. Product shelf life valid for 12 months.

Parameters	Values	Units
Rated Input Power	3.0	Watts
Max Input Power	3.5	Watts
Impedance	4 ± 15%	Ohms
Sensitivity P <sub>DRIVE</sub> = 1.0W, distance = 0.5m f = ave. 0.8kHz, 1.0kHz, 1.2kHz, 1.5kHz	80 ± 3	dB
Resonant Frequency (f <sub>0</sub> )	300 ± 20%	Hz
Frequency Range (-10dB SPL)	f <sub>0</sub> ≤ f ≤ 20,000	Hz
Total Harmonic Distortion f = 1kHz, P <sub>DRIVE</sub> = 1.0W	≤ 5	%
Frame Material	Iron	-
Magnet Material	NdFeB	-
Diaphragm Material	PU + PEN	-
Weight	4.8	gm
Buzz, Rattle, etc.	Not audible with P <sub>DRIVE</sub> = 3W sine wave	-
Polarity	Applying positive dc current to "+" terminal moves diaphragm forward	-
Storage Temperature	-25 ≤ T <sub>s</sub> ≤ 60	°C
Operating Temperature	-25 ≤ T <sub>o</sub> ≤ 50	°C
Environmental Compliances	ROHS/REACH	-

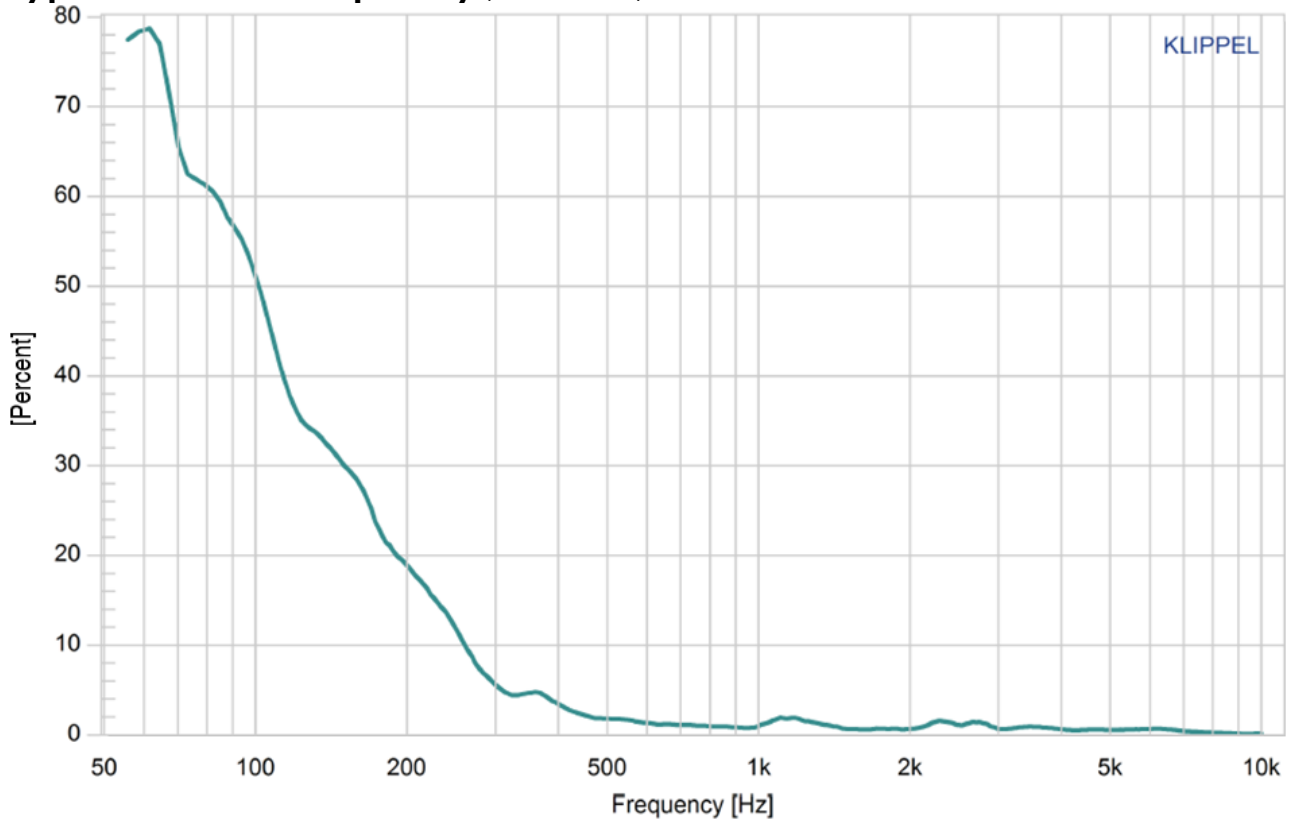
**Measurement Method** (Measured with  $P_{DRIVE} = 1.0W$ , distance = 0.5m, Temperature: 23 ~ 25°C, Relative Humidity: 55% (max).)



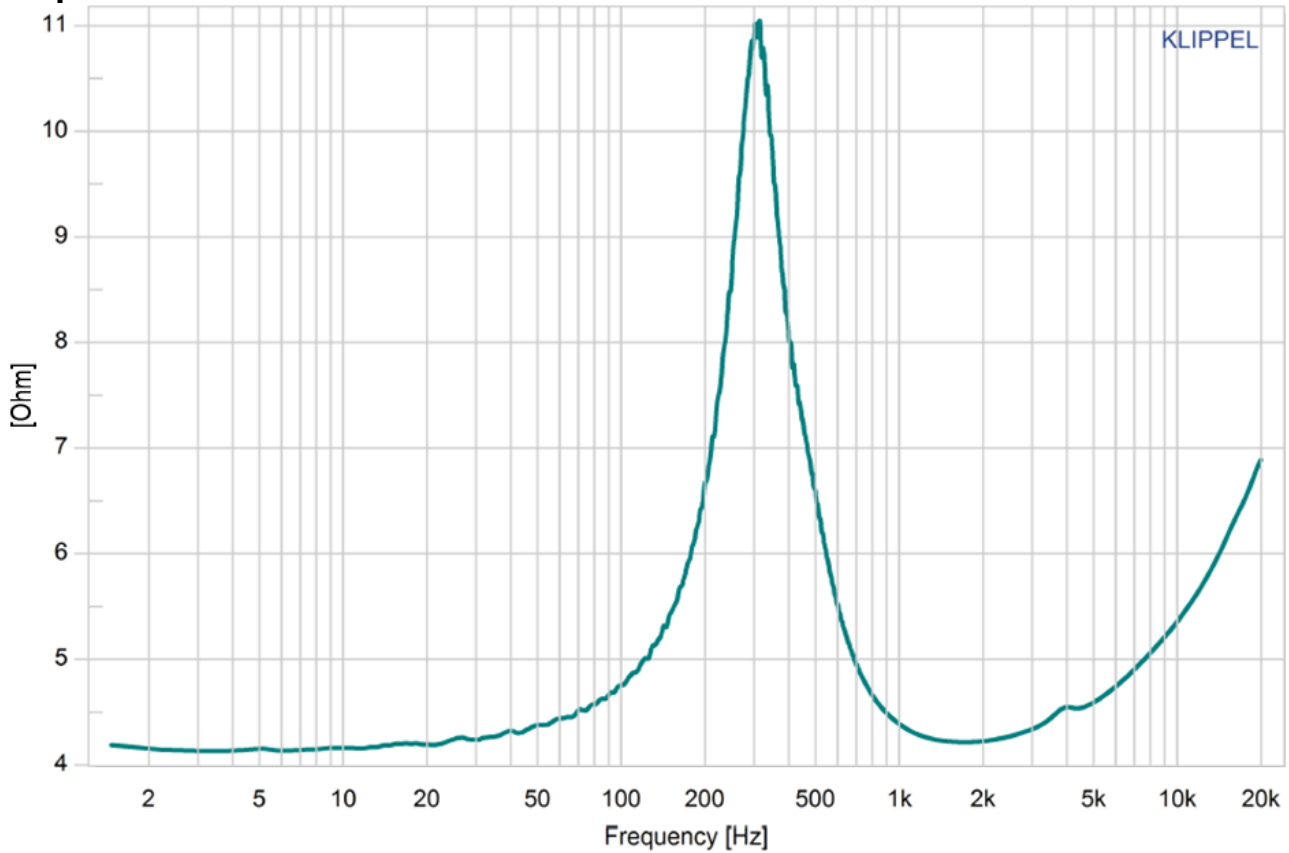
**Typical Frequency Response** (Measured with  $P_{DRIVE} = 1.0W$ )



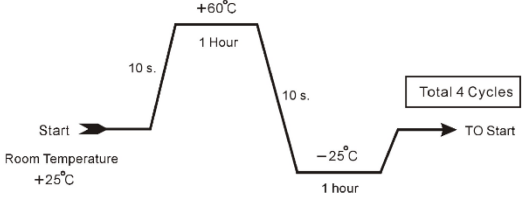
### Typical THD vs. Frequency ( $P_{DRIVE} = 1.0W$ )



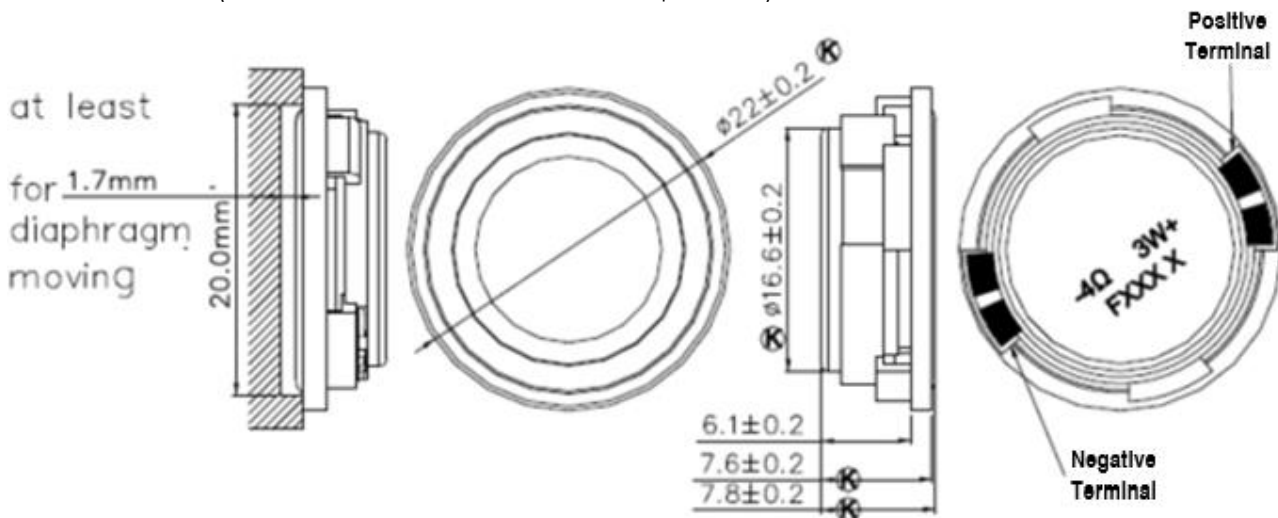
### Impedance Curve



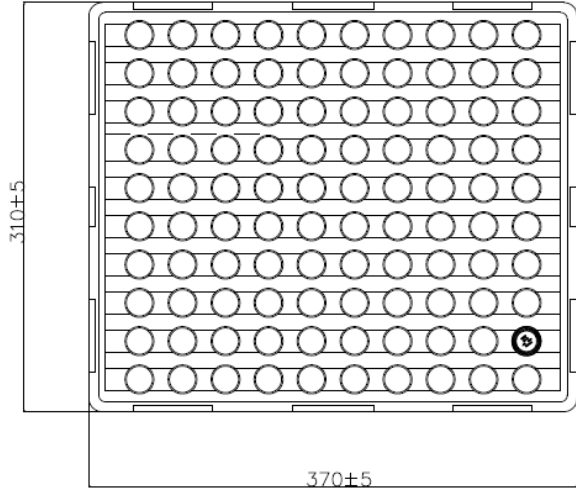
## Reliability Testing

Type of Test	Test Specifications	Judgement
High Temperature Test GB2423.2-81	96 hours at +60°C ± 2°C followed by one hour in normal room temperature	SPL shall not deviate by ±3dB. Resonant frequency shall not deviate by ±50Hz. (compared with pre-test measurement)
Low Temperature Test GB2423.1-81	96 hours at -25°C ± 2°C followed by one hour in normal room temperature	
Humidity Test GB5170.18-87	96 hours at +40°C ± 2°C with relative humidity between 90% and 95% followed by 6 hours in normal room temperature	
Temperature Cycle Testing GB5170.18-87	 <p>The diagram illustrates a temperature cycle test. It starts at 'Room Temperature +25°C'. A ramp of 10 seconds leads to a dwell at +60°C for 1 hour. Another 10-second ramp leads to a dwell at -25°C for 1 hour. This cycle repeats 'Total 4 Cycles' before returning 'TO Start'.</p>	SPL shall not deviate by ±4dB. Resonant frequency shall not deviate by ±80Hz. (compared with pre-test measurement)
Vibration Test GB11606.8-89	Frequency 30±15 Hz, Amplitude 1.5 mm for 3 Hours	SPL shall not deviate by ±3dB. (compared with pre-test measurement)
Drop Test GB2423.8-81	75 cm free falling on concrete floor, 10 times.	
Load Test GB/T12060.5-2011	Speaker should not fail after applying 20Hz ~ 20kHz pink noise with HPF rated power input (RMS), 96 hours.	

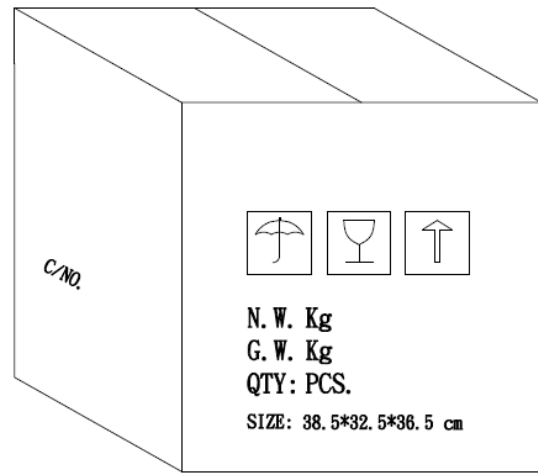
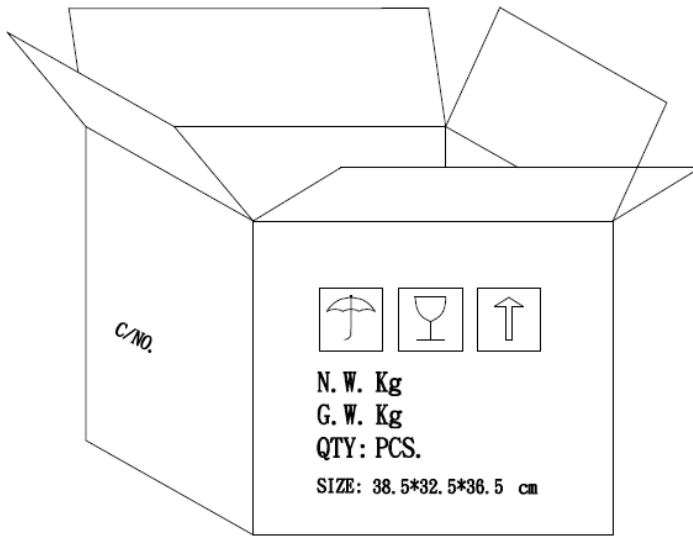
## Dimensions (Tolerance: ±0.5mm, unless otherwise specified.)



## Packaging



**NOTE**  
50 PCS per Layer  
Total 12 Layer per box  
Total 600 PCS per box  
38.5\*32.5\*36.5 cm  
HF+ROHS 2



## Measurement & Standard Reference

Abstract from GB/T 9396-1996 and IEC 268-5:1989: methods of measurement for main characteristics of loudspeakers.

### 5.1 Rated sine voltage.

A sinusoidal signal voltage specified by the manufacturer which makes the speaker work continuously in the rated frequency range, without causing electrical or mechanical damage to the speaker. The continuous voltage time is 1 hour.

### 5.2 Rated sine power.

The rated sine power corresponding with the rated sine voltage defined by:  $U_s^2/R$ , where  $U_s$  indicates the rated sin voltage and R indicates the rated impedance of the speaker.

### 5.3 Rated noise power.

The rated sine power corresponding with the rated sine voltage defined by:  $U_n^2/R$ , where  $U_n$  indicates the rated sin voltage and R indicates the rated impedance of the speaker.

#### Specifications Revisions

Revision	Description	Date	Approved
A	Released from Engineering	03/25/2024	KH

#### Notes:

- Unless otherwise specified:
  - All dimensions are in millimeters.
  - Default tolerances are  $\pm 0.5\text{mm}$  and angles are  $\pm 3^\circ$ .
- Specifications subject to change or withdrawal without notice.