



PUI audio



Data Sheet

AS04008PS-4W-WR-R

Features:

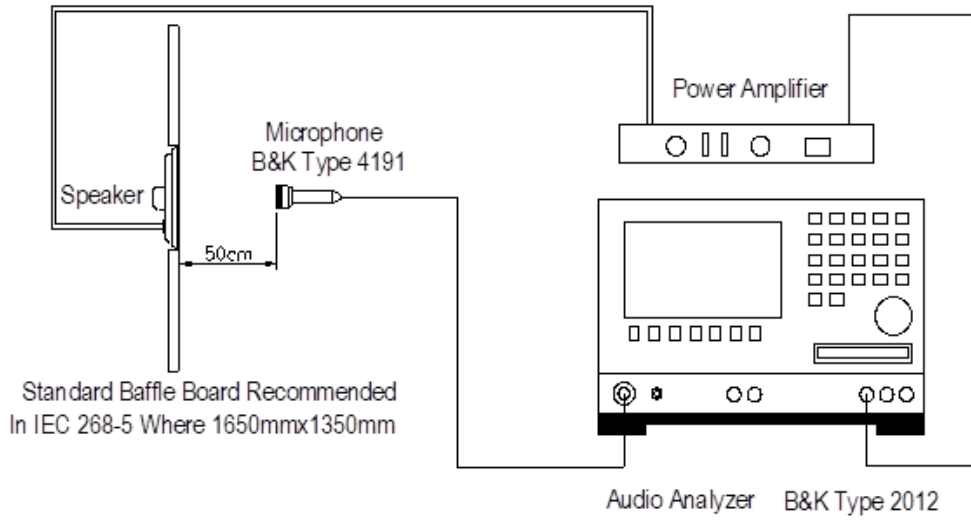
- 40mm x 28.3mm x 11.5mm rectangular shape
- 8 Ω impedance, 2 W rated input power
- Water resistant coating

Specifications

| Parameters | Values | Units |
|---|--|--------------|
| Rated Input Power | 2 | Watts |
| Max Input Power | 4 | Watts |
| Impedance | 8 \pm 15% | Ohms |
| Output SPL at 1W/50cm (At 0.8, 1.0, 1.2, 1.5kHz) | 84 \pm 3 | dB |
| Resonant Frequency | 380 \pm 20% | Hz |
| Frequency Range | 200 ~ 20,000 | Hz |
| THDn(1W, 1kHz input) | \leq 5% | - |
| Frame Material | ABS | - |
| Magnet Material | NdFeB | - |
| Diaphragm Material | Treated Paper | - |
| Weight | 13 | Grams |
| Acceptable Soldering Methods | Hand Solder | - |
| Buzz, Rattle, etc. (Must be normal given sine wave between 200 ~ 20k Hz at specified voltage) | 4.0 | V |
| Polarity | Cone will move forward with positive (+) DC current applied to positive terminal | - |
| Storage Temperature | -30 ~ +70 | $^{\circ}$ C |
| Operating Temperature | -20 ~ +60 | $^{\circ}$ C |
| Environmental Compliances | ROHS/REACH | - |

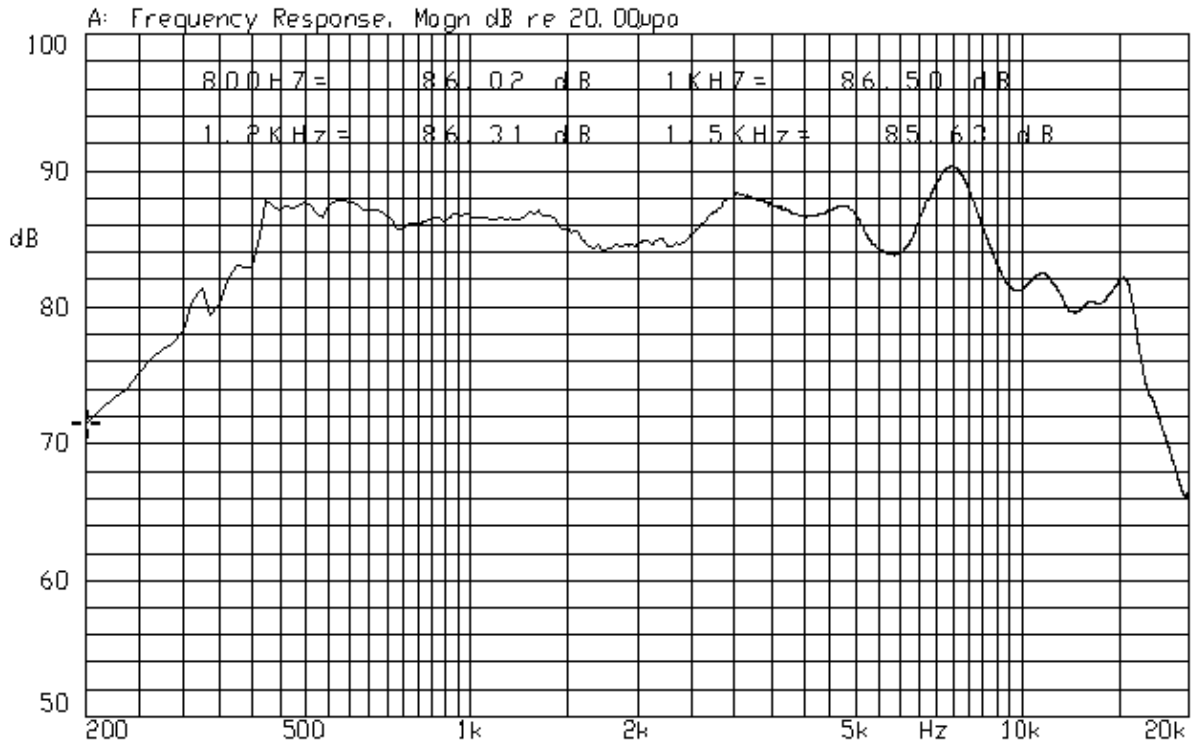
Measurement Method

Standard test condition of speaker



Typical Frequency Response (Measured at 50cm, 1W)

YGDA3040B-B 1W 0.5m 2.83V
 X: 200.00Hz Y: 71.39dB ZA: Live Curve TSR fund.



19-OCT-2005 16: 41: 34

Mode: TSR

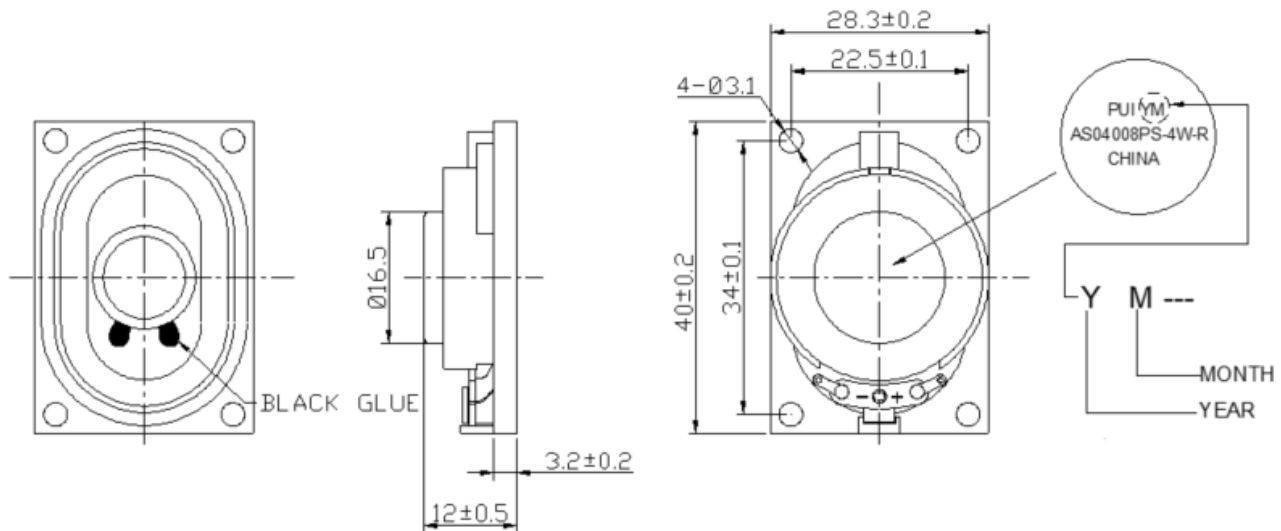


Reliability Testing

| Type of Test | Test Specifications |
|---------------------------|---|
| High Temperature Test | 96 hours at $+60^{\circ}\text{C} \pm 3^{\circ}\text{C}$, then 3 hours rest at room temperature |
| Low Temperature Test | 96 hours at $-20^{\circ}\text{C} \pm 3^{\circ}\text{C}$, then 3 hours rest at room temperature |
| Humidity Test | 96 hours at $+40^{\circ}\text{C} \pm 3^{\circ}\text{C}$ with relative humidity $\sim 95\%$, then 3 hours rest at room temperature |
| Temperature Cycle Testing | Low Temperature: $-20^{\circ}\text{C} \pm 3^{\circ}\text{C}$ High Temperature: $+60^{\circ}\text{C} \pm 3^{\circ}\text{C}$ Cycle between low and high temperature at a rate of 1 cycle/hour Part subjected to 5 cycles |
| Vibration Test | Frequency: $10\sim 55\sim 10\text{Hz Oct/mm}$ Amplitude: 1.5mm X, Y, Z direction for 2 hours each (6 hours total) |
| Drop Test | Speaker fixed in cabinet, packed with carton, and dropped 70cm vertically to 10cm wooden board Repeat for one point, three corners, six sides, once each (10 total) |
| Load Test | White-noise source at rated power applied for 96 hours |
| Terminal Strength Test | Should withstand 1kg load for 15 seconds without resulting in any damage or rejection |

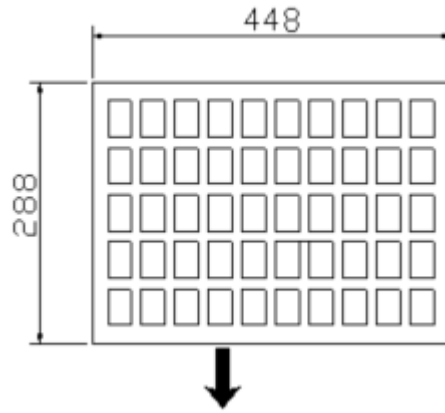
After any of the above tests, part should conform to the original performance within $\pm 3\text{dB}$ with rated power, after stated recovery periods.

Dimensions (Positive terminal indicated by "+" marking)

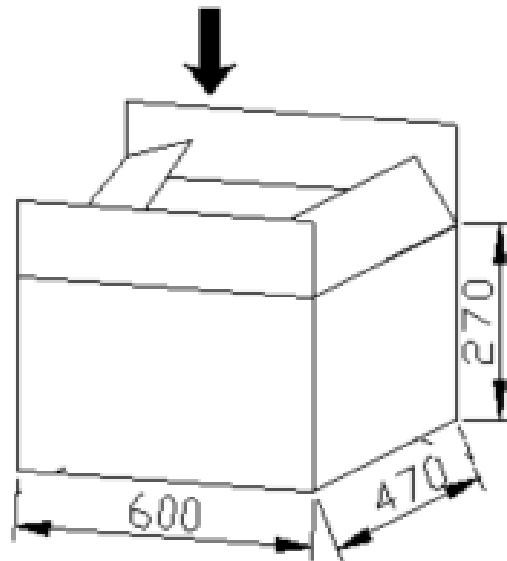
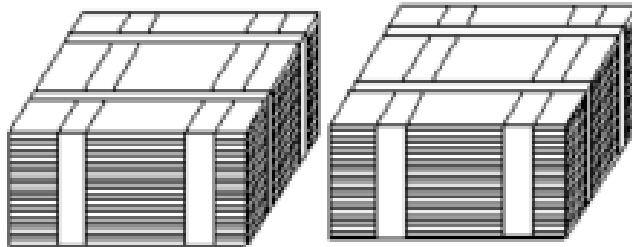


Packaging

50pcs/Tray



1000pcs/Master CTN.



Specifications Revisions

| Revision | Description | Date | Approved |
|-----------------|--|-------------|-----------------|
| - | RELEASED FROM ENGINEERING | 09/25/2006 | - |
| A | REVISED TO INVENTOR 3D DRAWING TEMPLATE | 12/31/2008 | BR |
| B | ADDED NOTE 5 | 08/12/2011 | BR |
| C | Update spec format, Add details for Reliability, Packaging, Etc. | 11/06/2024 | ML |

Note:

- Unless otherwise specified:
 - All dimensions are in millimeters.
 - Default tolerances are $\pm 0.5\text{mm}$ and angles are $\pm 3^\circ$.
- Specifications subject to change or withdrawal without notice.
- This part is ROHS compliant.
- Cone has been treated for water resistance.
- Base speaker PUI# AS04008PS-4W-R