



# PUI audio



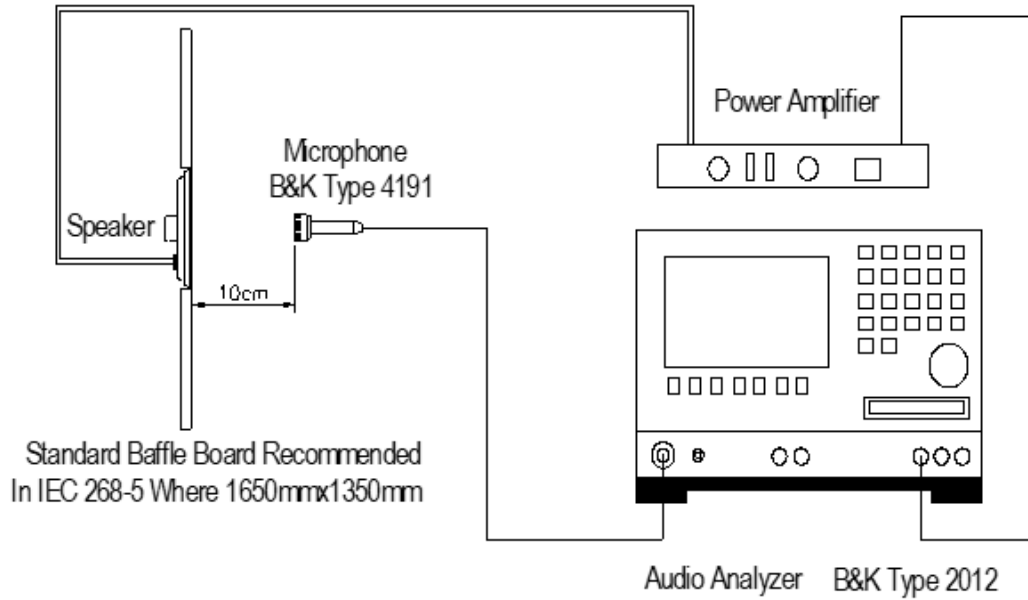
Data Sheet

AS04016CO-R

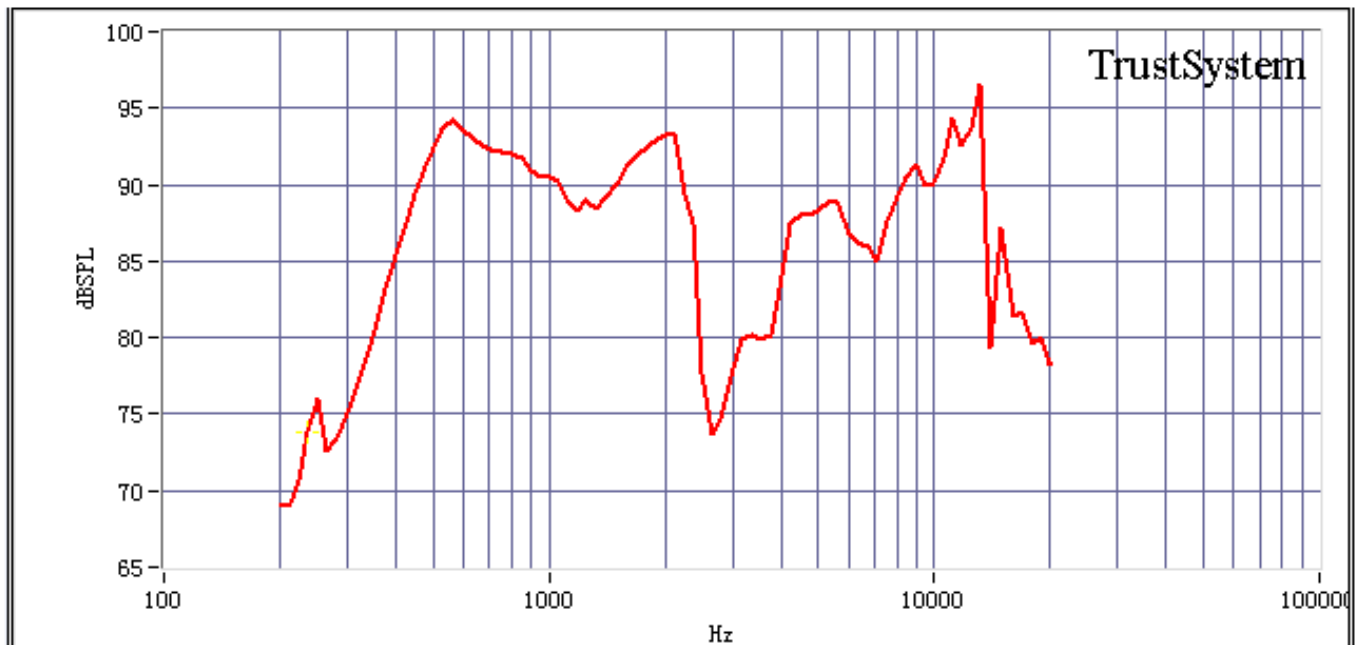
## Specifications

Parameters	Values	Units
Rated Input Power	1.5	Watts
Max Input Power	3.0	Watts
Impedance	$16 \pm 15\%$	Ohms
Output SPL (AVG 0.8, 1.0, 1.2, 1.5 kHz; 0.1M/0.1W)	$90 \pm 3$	dB
Resonant Frequency	$550 \pm 20\%$	Hz
Frequency Range	Fo ~ 20k	Hz
THD	>5%	-
Frame Material	ABS	-
Magnet Material	NdFeB	-
Diaphragm Material	Cloth	-
Weight	7.6	Grams
Buzz, Rattle, etc.	Should not be audible at 4.9V sine wave between 500 Hz ~ 5KHz	-
Environmental Compliances	ROHS/REACH	-
Polarity	When a positive DC Current is applied to the voice coil terminal marked +or red, the diaphragm shall move forward	-
Storage Temperature	-30 ~ 70	°C
Operating Temperature	-20 ~ 60	°C

### Measurement Method (0.1W, 10cm)



### Typical Frequency Response (Temperature: 23 ~ 25 °C; Humidity: 55% max; Power: 0.1W, 10cm)

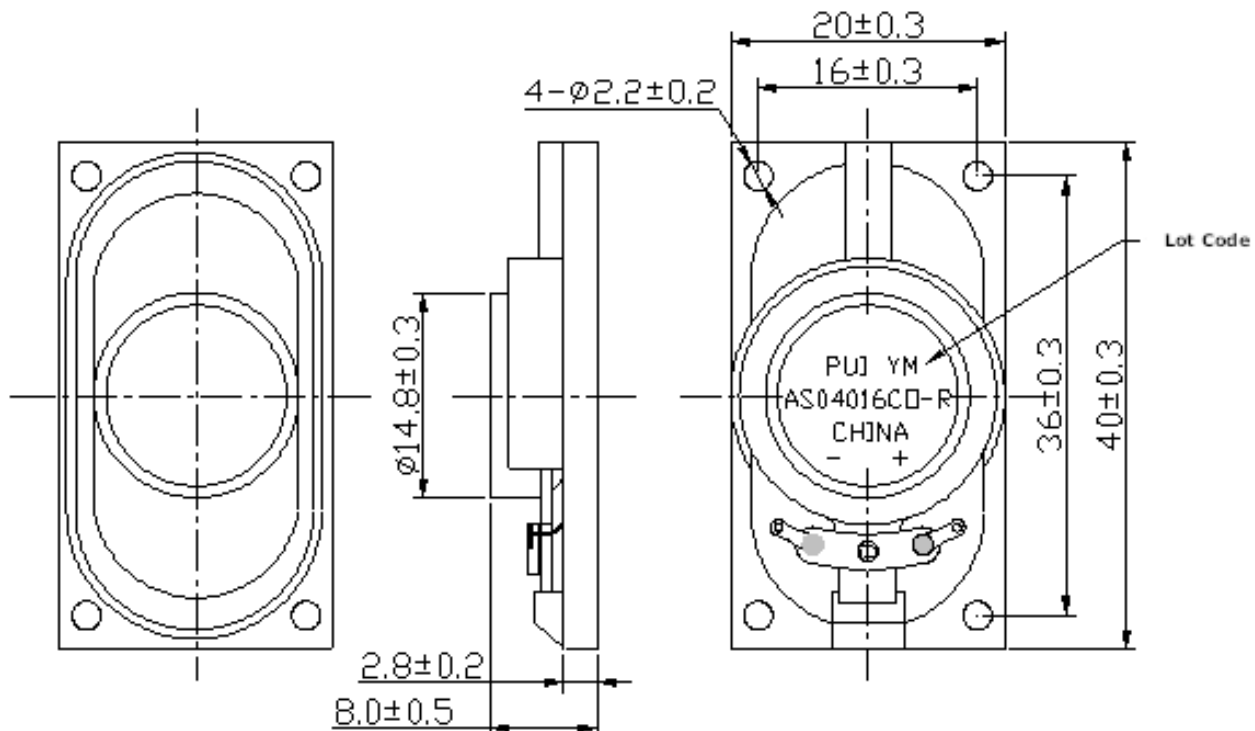


## Reliability Testing

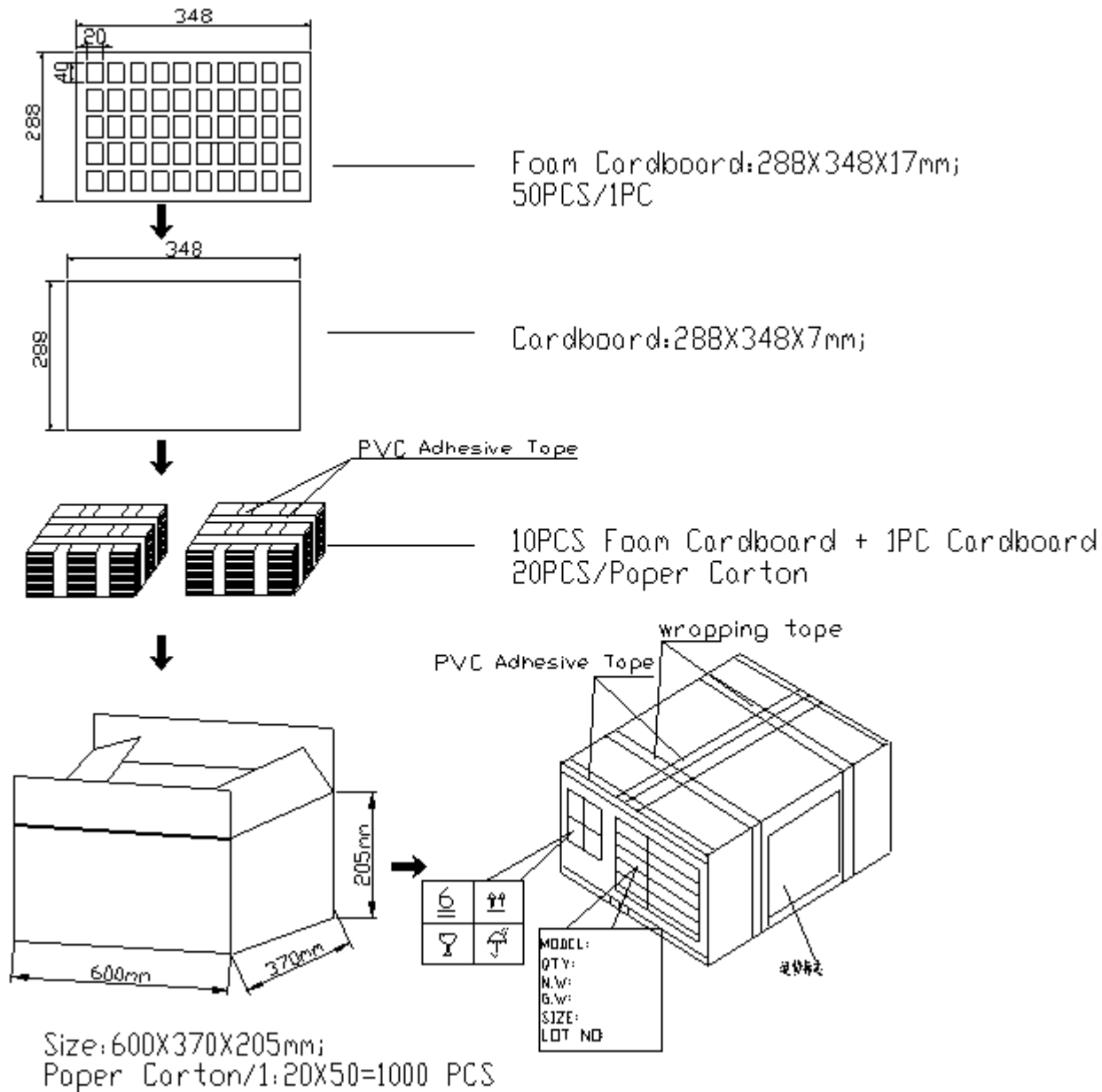
Type of Test	Test Specifications
High Temperature Test	96 hours at $70 \pm 3^\circ\text{C}$ and let rest for 3 hours in normal room temperature
Low Temperature Test	96 hours at $-30 \pm 3^\circ\text{C}$ and let rest for 3 hours in normal room temperature
Humidity Test	96 hours at $40 \pm 3^\circ\text{C}$ with relative humidity at 90 ~ 95% and let rest for 3 hours in normal room temperature
Temperature Cycle Testing	Low temperature: $-30^\circ\text{C} \pm 3^\circ\text{C}$ , temperature: $+70^\circ\text{C} \pm 3^\circ\text{C}$ , 1 cycle total 5 cycles and then keep 6 hours in normal room temperature
Vibration Test	10~55~10Hz sin-wave sweep 15min. 5G(constant) X,Y, Z 3 direction. 2 hours each, total 6 hours.
Shock Test	If applicable, describe conditions of test.
Drop Test	Free drop from 100cm height to a board of 20mm thick x, y, z 6 direction. 1 time each, total 6 times.
Load Test	Rated Power white noise is applied for 96 hours

After these tests, the change of S.P.L shall be within  $\pm 3$  dB

## Dimensions (Terminal on right side of fiber board is positive +)



## Packaging



### Specifications Revisions

Revision	Description	Date
A	Released from Engineering	07/07/2015

Note:

- Unless otherwise specified:
  - All dimensions are in millimeters.
  - Default tolerances are  $\pm 0.5\text{mm}$  and angles are  $\pm 3^\circ$ .
- Specifications subject to change or withdrawal without notice.