



PUIaudio



Data Sheet

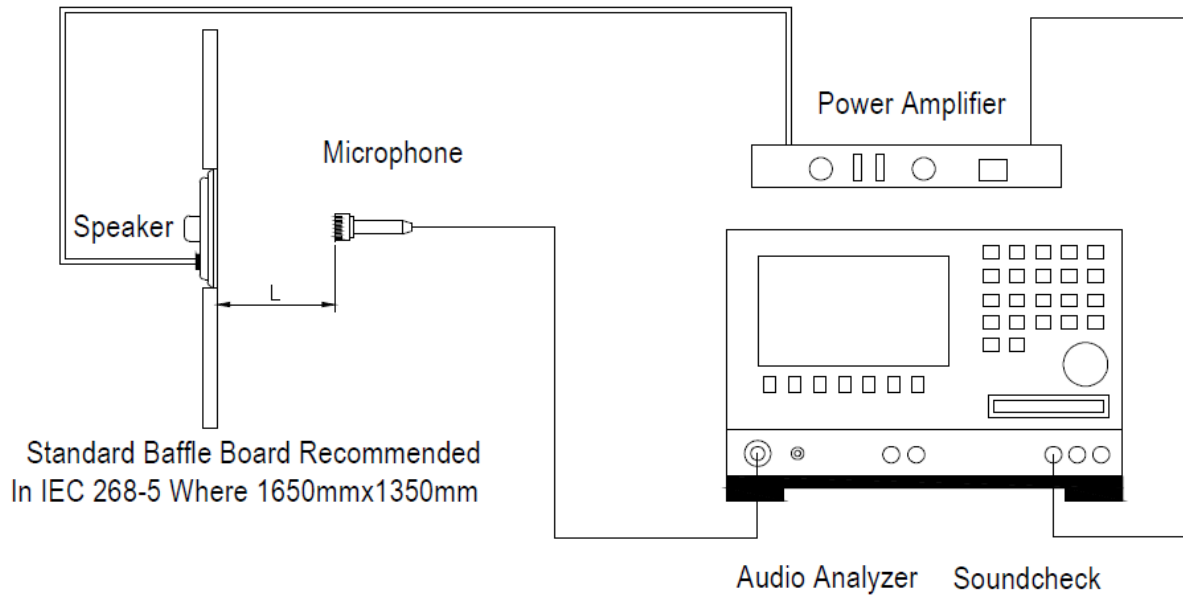
AS05208PR-4-R

Specifications

Parameters	Values	Units
Rated Input Power	10	Watts
Max Input Power	12	Watts
Impedance	$8 \pm 15\%$	Ohms
Output SPL (at 0.6K 0.8K 1.0K 1.2KHz in 1W/1M average)	77 ± 3	dB
Resonant Frequency (list condition if applicable)	$180 \pm 30\%$	Hz
Frequency Range	180 ~ 20,000	Hz
THD	< 5%	
Frame Material	SPCC	-
Magnet Material	Ferrite	-
Diaphragm Material	Paper	-
Weight	85	Grams
Buzz, Rattle, etc.	must be normal at sine wave between Fo ~ 20K Hz at 8.94 V	-
Environmental Compliances	ROHS/REACH	-
Polarity	cone will move forward with positive dc current to "+" terminal	-
Storage Temperature	-20 ~ 60	°C
Operating Temperature	-20 ~ 50	°C

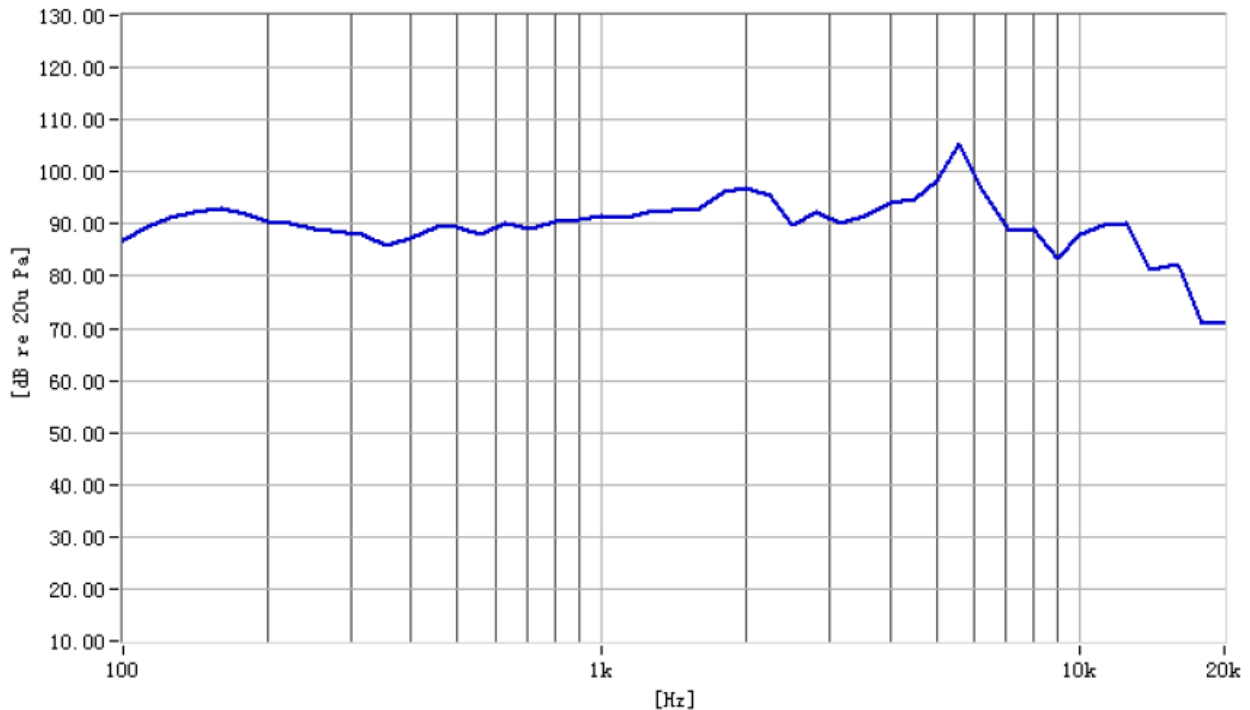
Measurement Method (1W, 1M)

Standard test condition of speaker

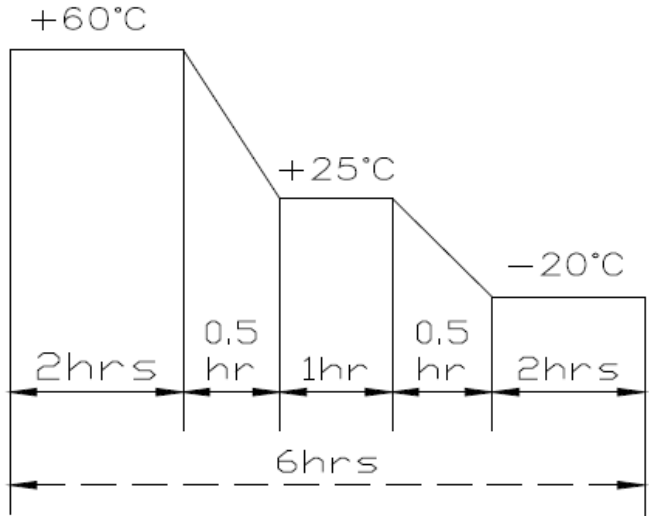


$L=100\text{cm}$

Typical Frequency Response (1W, 1M)

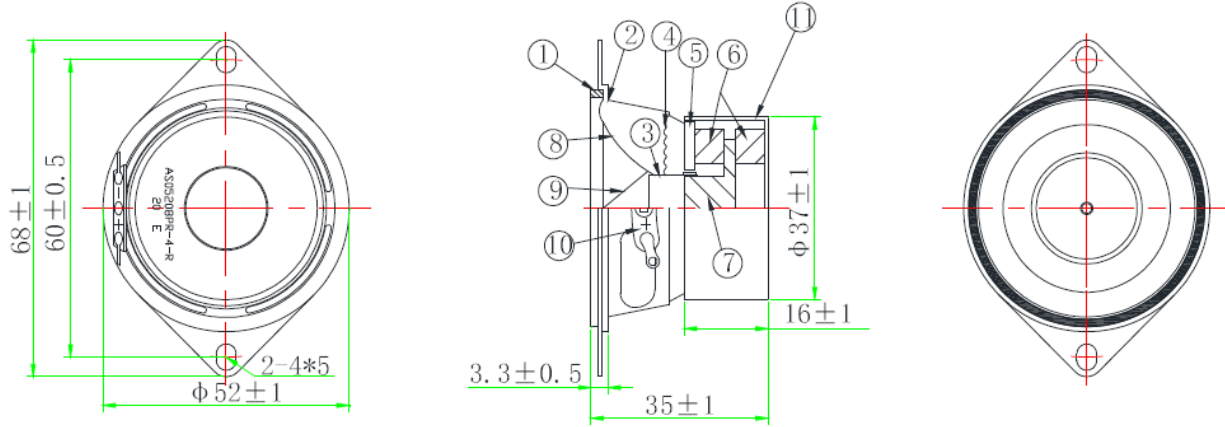


Reliability Testing

Type of Test	Test Specifications
High Temperature Test	96 hours at 60±2°C
Low Temperature Test	96 hours at -20±2°C
Humidity Test	48 hours at 40±2°C with relative humidity at 90~95%
Temperature Cycle Testing	Subject to 4 cycles, with each cycle consisting of: 
Vibration Test	Frequency 30 ± 15 Hz, Amplitude 1.5 mm for 3 Hours.
Drop Test	75 CM free falling on Concrete floor, 10 times.
Load Test	Must perform normal with program White-Noise source at Rated Power for 96 Hours

After any following test, parts should conform to original performance within ±3 dB tested with Rated Power, after 6 hours of recovery period

Dimensions (if polarity needs to be observed, mention it here and call out location of positive pin/pad)

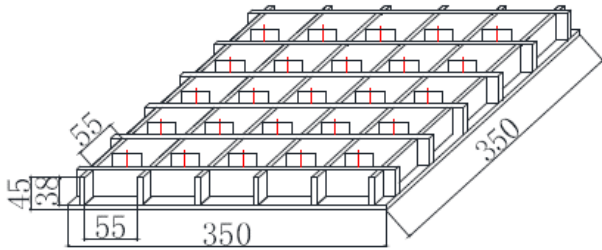


Printing: AS05208PR-4-R
 20 E (20:Year E:Month)

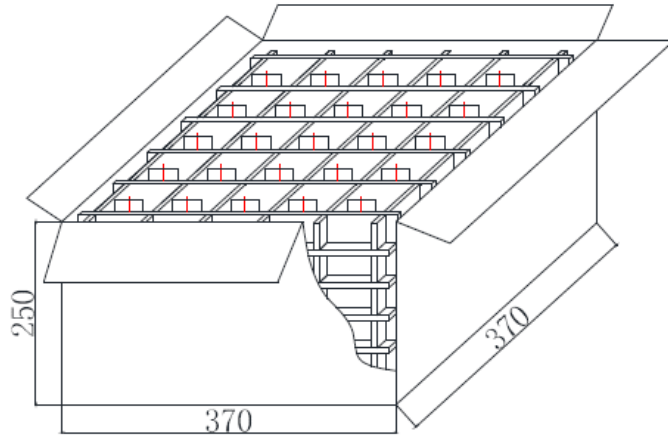
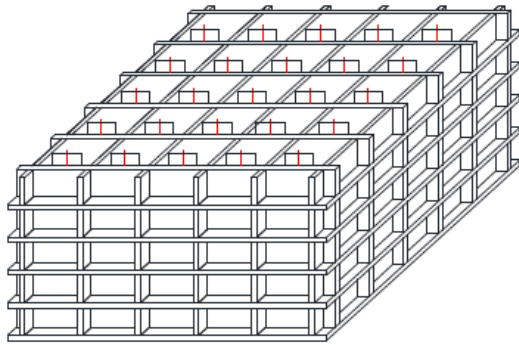
CONSTRUCTION DETAIL

PART NO.	PART NAME	Q'TY	MATERIAL	REMARK
1	Gasket	1	Paper	
2	Frame	1	SPCC	
3	Voice coil	1	KSV+Cu	
4	Damper	1	Cloth	
5	Washer	1	SPCC	
6	Magnet	1	Ferrite	
7	T-yoke	1	SPCC	
8	Cone	1	Foam+Paper	
9	Dust cap	1	Paper	
10	Terminals	1	Paper+Steel	
11	Magnetic Cover	1	SPCC	

Packaging



1. Each clapboard 25pcs,
 Each carton 4 clapboards,
 100 pcs/carton
 N.W: 10 KG, G.W:12 KG
2. Corrugated paper: 350*350 mm 1 pcs
3. Carton size:370*370*220mm 1 pcs



Specifications Revisions

Revision	Description	Date
A	Released from Engineering	3/21/2018
B	Revised Drawing and Packaging	12/14/2022

Note:

1. Unless otherwise specified:
 - A. All dimensions are in millimeters.
 - B. Default tolerances are $\pm 0.5\text{mm}$ and angles are $\pm 3^\circ$.
2. Specifications subject to change or withdrawal without notice.