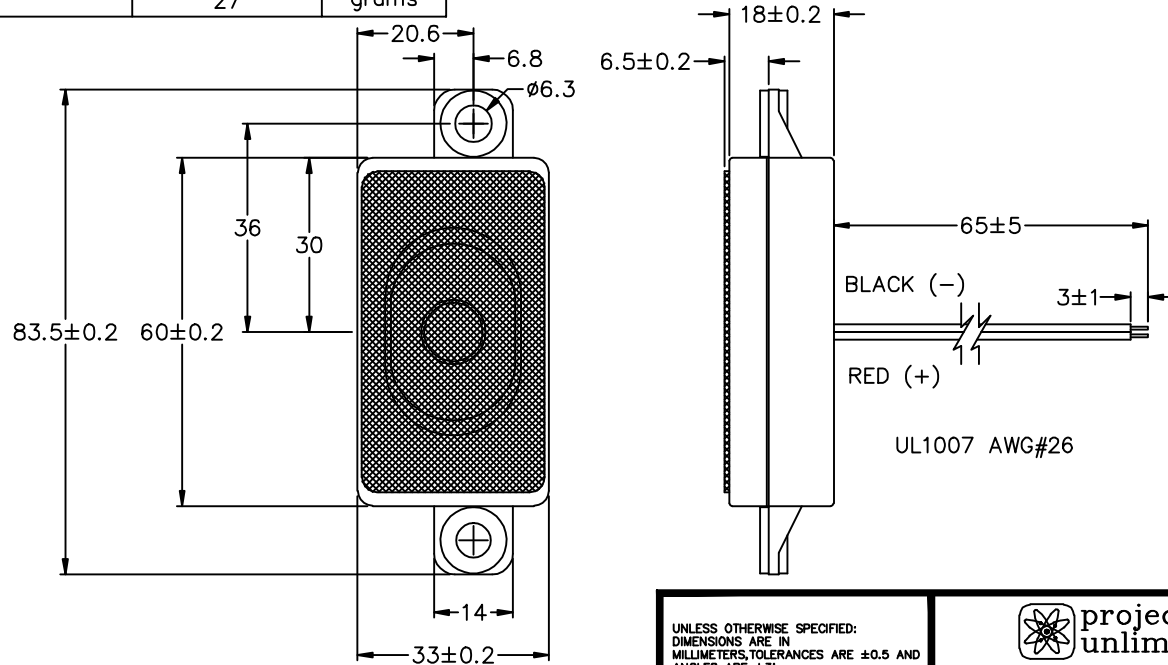


THIS DOCUMENT CONTAINS DATA PROPRIETARY TO PROJECTS UNLIMITED, INC. ANY USE OR REPRODUCTION, IN ANY FORM, WITHOUT PRIOR WRITTEN PERMISSION OF PROJECTS UNLIMITED, INC. IS PROHIBITED.  
 ©2005, Projects Unlimited Inc.

### SPECIFICATIONS

PARAMETERS	VALUES	UNITS
RATED INPUT POWER	2	W
MAX INPUT POWER	4	W
IMPEDANCE	4±15%	OHM
OUTPUT SPL @ 1W/0.5M (AT 1.0, 1.2, 1.5, 1.8 kHz)	87±3	dB(A)
DISTORTION (MAX.)	5%	-
RESONANT FREQUENCY	650±20%	Hz
FREQUENCY RANGE	200 ~ 20000	Hz
HOUSING MATERIAL	ABS	-
CONE MATERIAL	CLOTH	-
MAGNET MATERIAL	Nd-Fe-B	-
OPERATING TEMPERATURE	-20 ~ +60	°C
WEIGHT	27	grams


REVISIONS			
LTR	DESCRIPTION	DATE	APPROVED
-	RELEASED FROM ENGINEERING	11/15/06	
A	REVISED RESONANT FREQUENCY	11/9/07	B.R.



NOTES:

1. ALL DIMENSIONS ARE IN MILLIMETERS.
2. SPECIFICATION SUBJECT TO CHANGE OR WITHDRAWAL WITHOUT NOTICE.
3. THIS PART IS RoHS 2002/95/EC COMPLIANT.

FILE NAME  
AS06004CO-C-R.DWG

UNLESS OTHERWISE SPECIFIED: DIMENSIONS ARE IN MILLIMETERS, TOLERANCES ARE ±0.5 AND ANGLES ARE ±3°.		 <b>projects® unlimited</b> Dayton, Ohio	
SPEAKER		DRAWING NO. AS06004CO-C-R	
APPROVALS	DATE	SIZE	
DRAWN <i>J.D.</i>	11/06	A	
CHECKED <i>D.F.</i>	11/06		
APPROVED <i>B.R.</i>	11/06		
DO NOT SCALE DRAWING		SCALE: N.T.S.	SHEET 1 OF 1