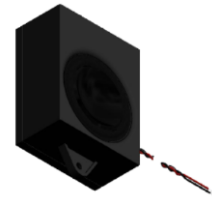




# PUI audio



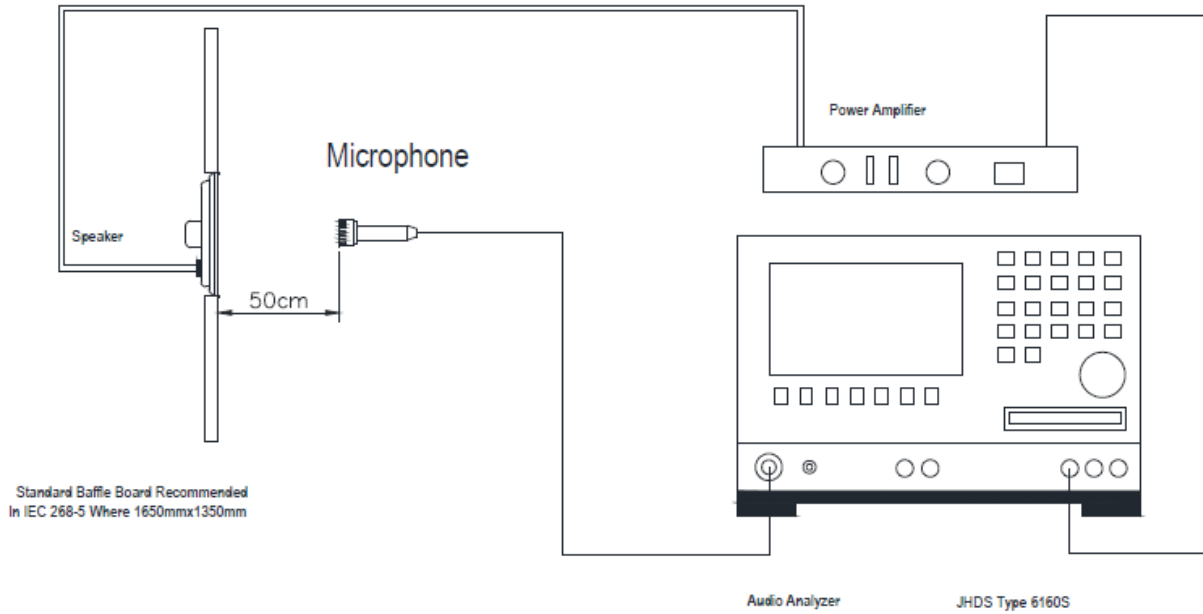
Data Sheet

ASE04508MR-LW150-WP-R

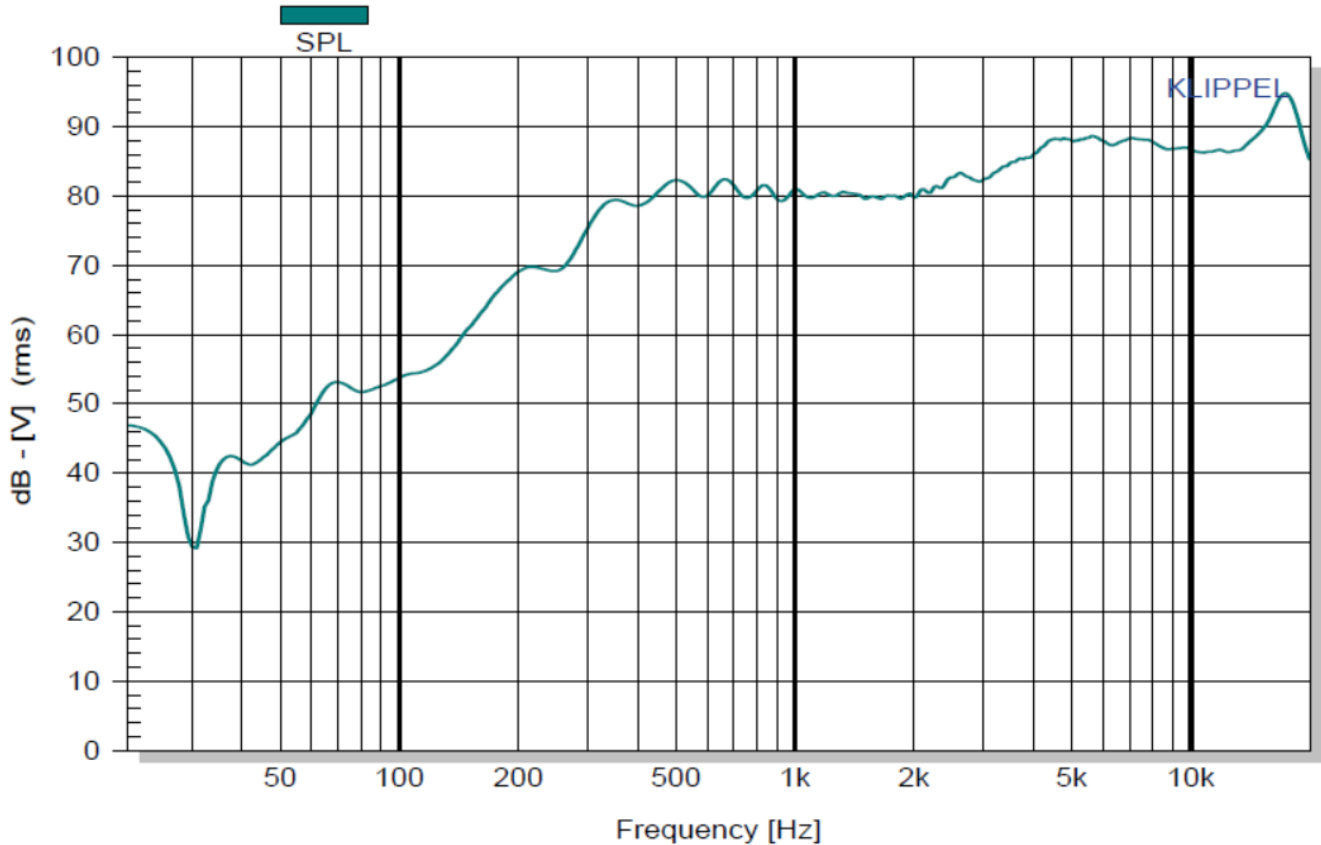
## Specifications

Parameters	Values	Units
Rated Input Power	2	Watts
Max Input Power	2.5	Watts
Impedance	8 ± 15%	Ohms
Sensitivity (SPL @ 1W/50cm) (800, 1000, 1200, and 1500 Hz)	80 ± 3	dBA
Distortion (Max @ 1W, 1 kHz)	<5%	-
Resonant Frequency (in enclosure)	420 ± 20%	Hz
Frequency Range (-10 dB)	Fo ~ 20,000	Hz
Housing Material	ABS	-
Magnet Material	NdFeB	-
Diaphragm Material	Rubber Surround/Mylar	-
Weight	27	Grams
Ingress Protection Rating	IP65	-
Environmental Compliance	RoHS/REACH	-
Buzz, Rattle, etc.	Should not be audible with 4V sine wave	-
Polarity	When positive voltage is applied to the positive terminal, the diaphragm will move outward	-
Operating Temperature	-40 ~ +85	°C
Storage Temperature	-40 ~ +85	°C

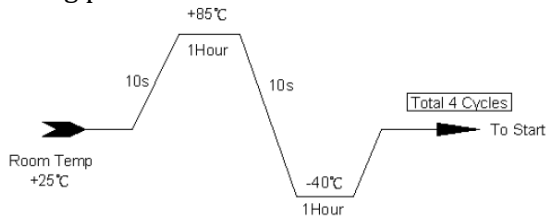
## Measurement Method



## Frequency Response (measured at 50cm with 1W input power, per speaker)

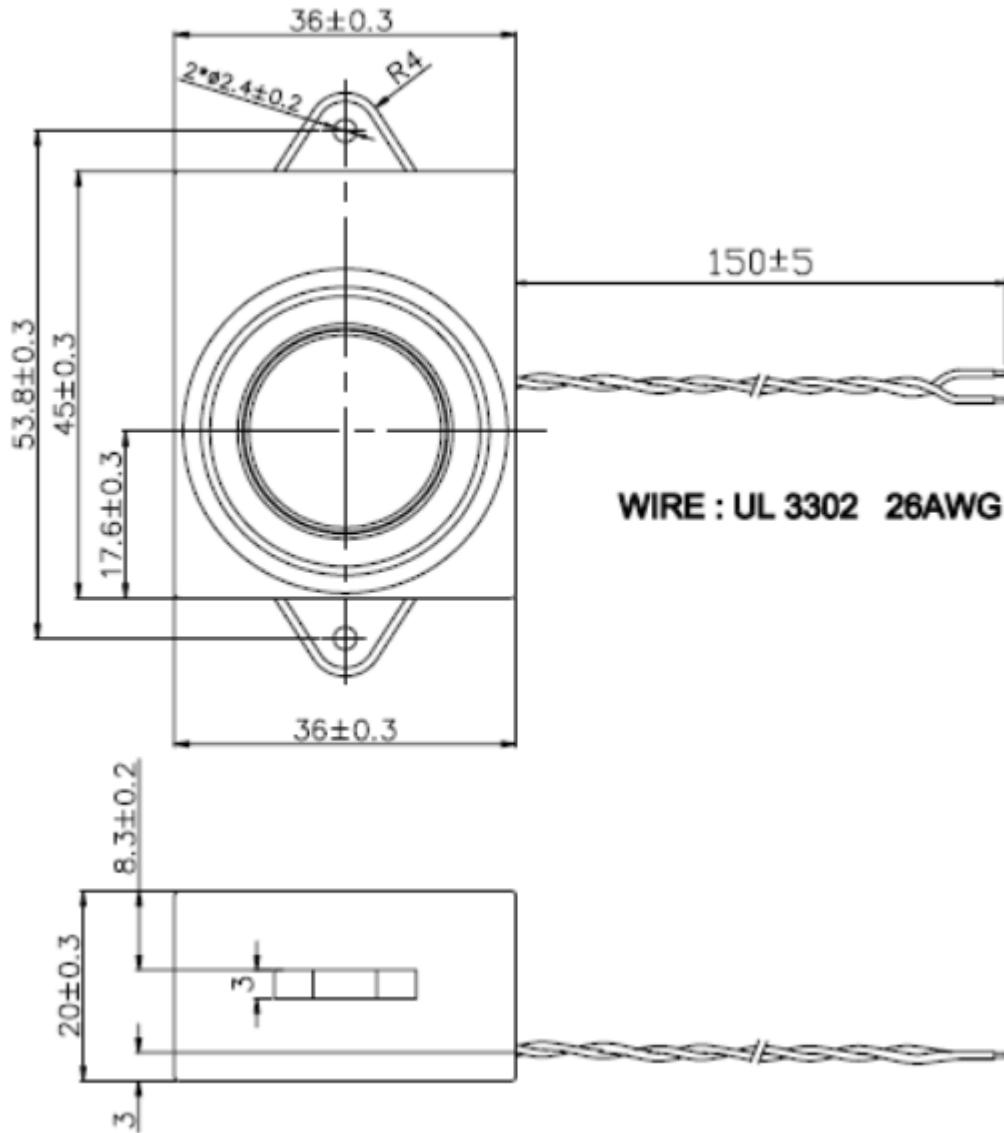


## Reliability Testing

Type of Test	Test Specifications
High Temperature Test	96 hours at +85°C ± 3°C followed by six hours in normal room temperature
Low Temperature Test	96 hours at -40°C ± 3°C followed by six hours in normal room temperature
Humidity Test	96 hours at +40°C ± 3°C with relative humidity at 90% to 95% followed by 3 hours in normal room temperature
Temperature Cycle Testing	<p>The part shall be subjected to 4 cycles using the following procedure:</p> 
Vibration Test	10 to 55 to 10 Hz cycles, 15 minutes per cycle. 2 hours in each axis X, Y, and Z.
Drop Test	Drop from a height of 75cm on six sides.
Load Test	Pink noise is applied at the speakers rated power for 96 hours at room temperature

**After each test, the speaker's SPL shall be ±3 dB of the original SPL.**

## Dimensions



### Specifications Revisions

Revision	Description	Date
-	Released from Engineering	02/23/2017
A	Revised Power Ratings	01/08/2020
B	Revised Power Ratings	03/14/2023

Note:

- Unless otherwise specified:
  - All dimensions are in millimeters.
  - Default tolerances are  $\pm 0.5$ mm and angles are  $\pm 3^\circ$ .
- Specifications subject to change or withdraw without notice.
- Part is IP65 rated from face of speaker.