



# PUIaudio



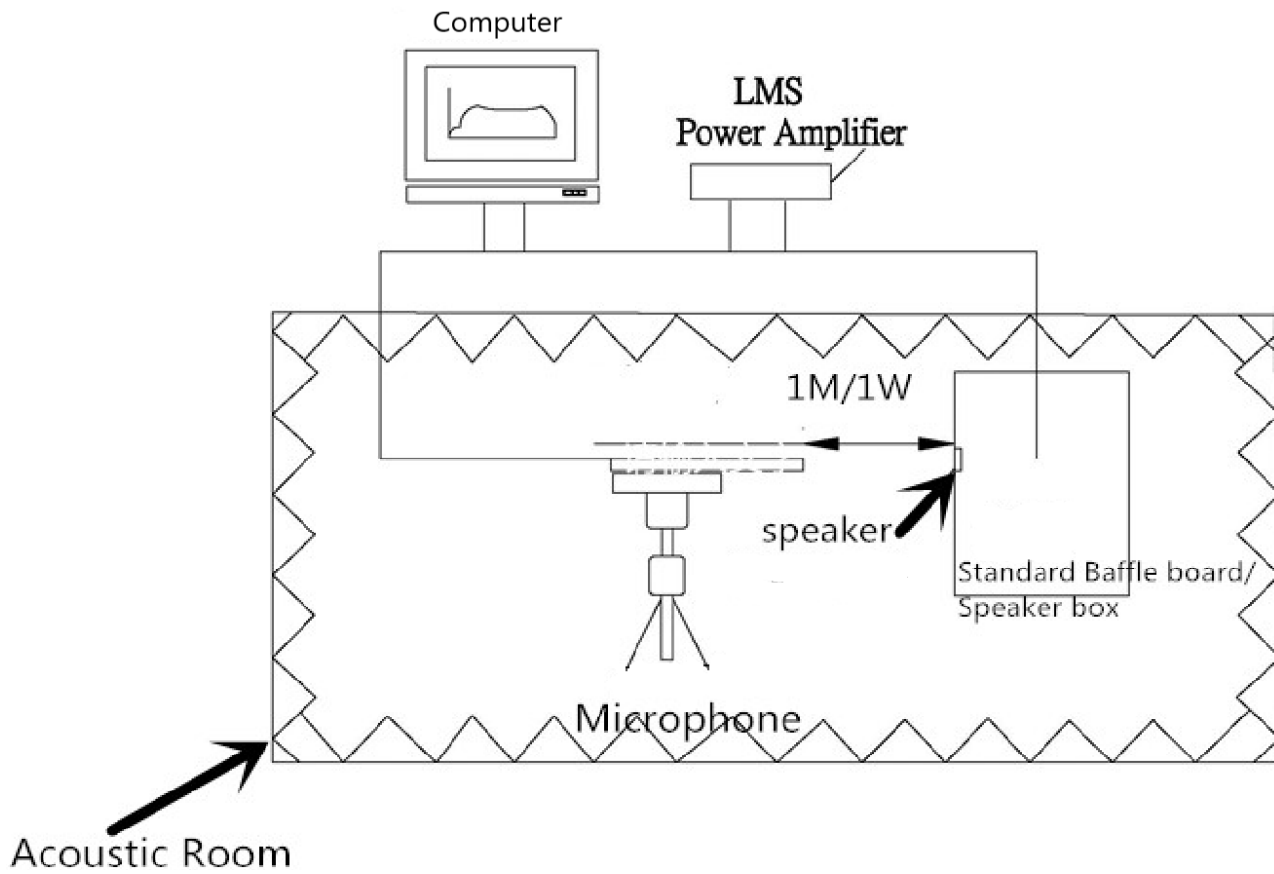
Data Sheet

ASX04004-R

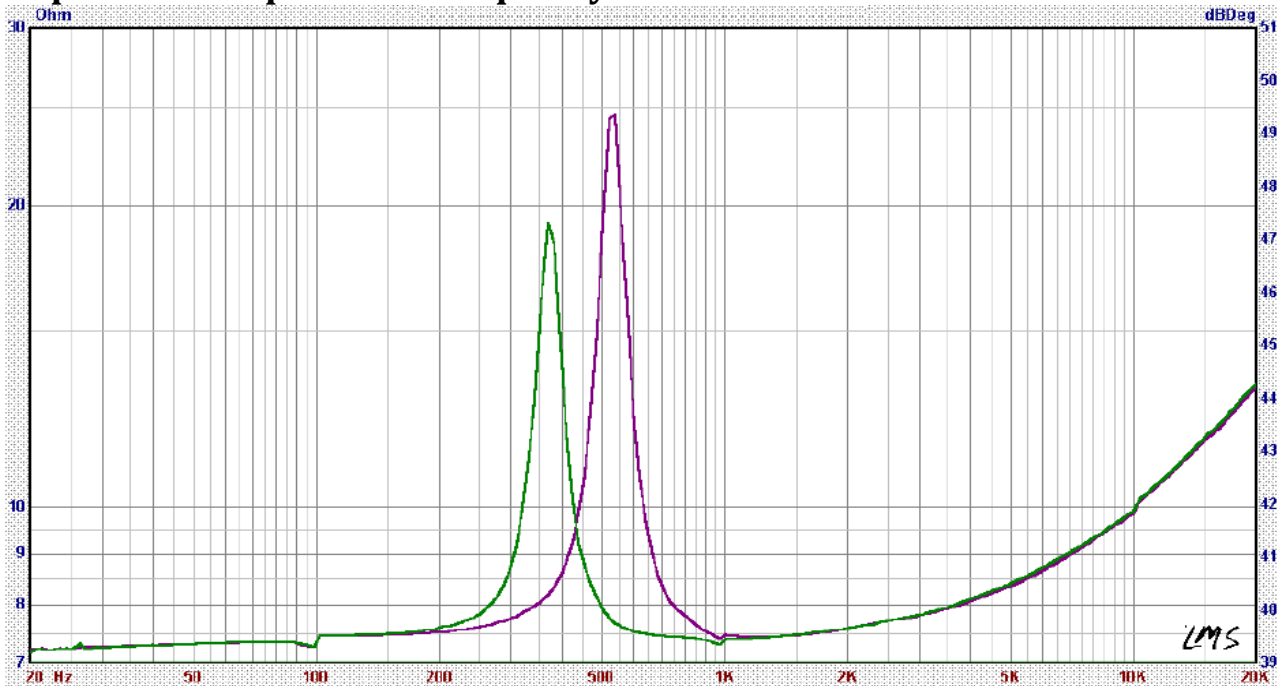
## Specifications

| Parameters                   | Values  | Units |
|------------------------------|---|-------|
| Rated Input Power            | 3.0   | Watts |
| Max Input Power              | 5.0   | Watts |
| Impedance                    | $4 \pm 15\%$  | Ohms  |
| Resonant Frequency ( $f_0$ ) | $450 \pm 20\%$  | Hz    |
| Frame Material               | Metal   | -     |
| Magnet Material              | NdFeB   | -     |
| Weight                       | 28  | Grams |
| Buzz, Rattle, etc.           | Must not be audible with 200Hz-20kHz, 2.44Vrms sine wave            | -     |
| Environmental Compliances    | RoHS/REACH  | -     |
| Polarity                     | Cone moves forward with positive dc current applied to "+" terminal | -     |
| Storage Temperature          | -20 ~ +60   | °C    |
| Operating Temperature        | -10 ~ +60   | °C    |

### Measurement Method (Measured with 1.0W, L = 1m, Temperature: 23 ~ 25°C, Relative Humidity: 55% (max))




### Impedance Response vs. Frequency

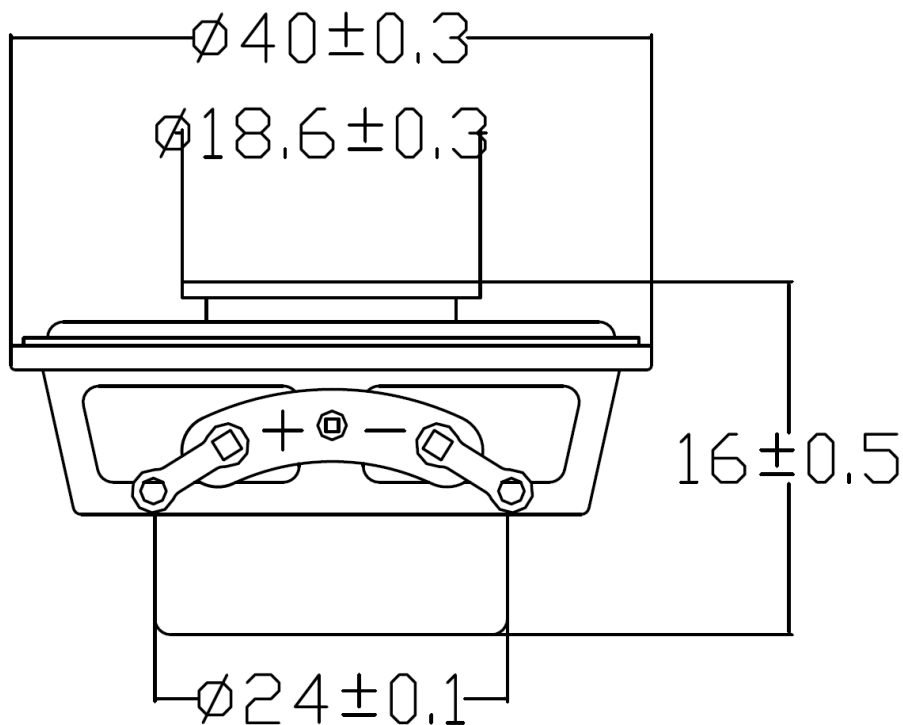


From left to right at 100hm:  
0.0007+0.5gm  
z-7.20hm

## Reliability Testing

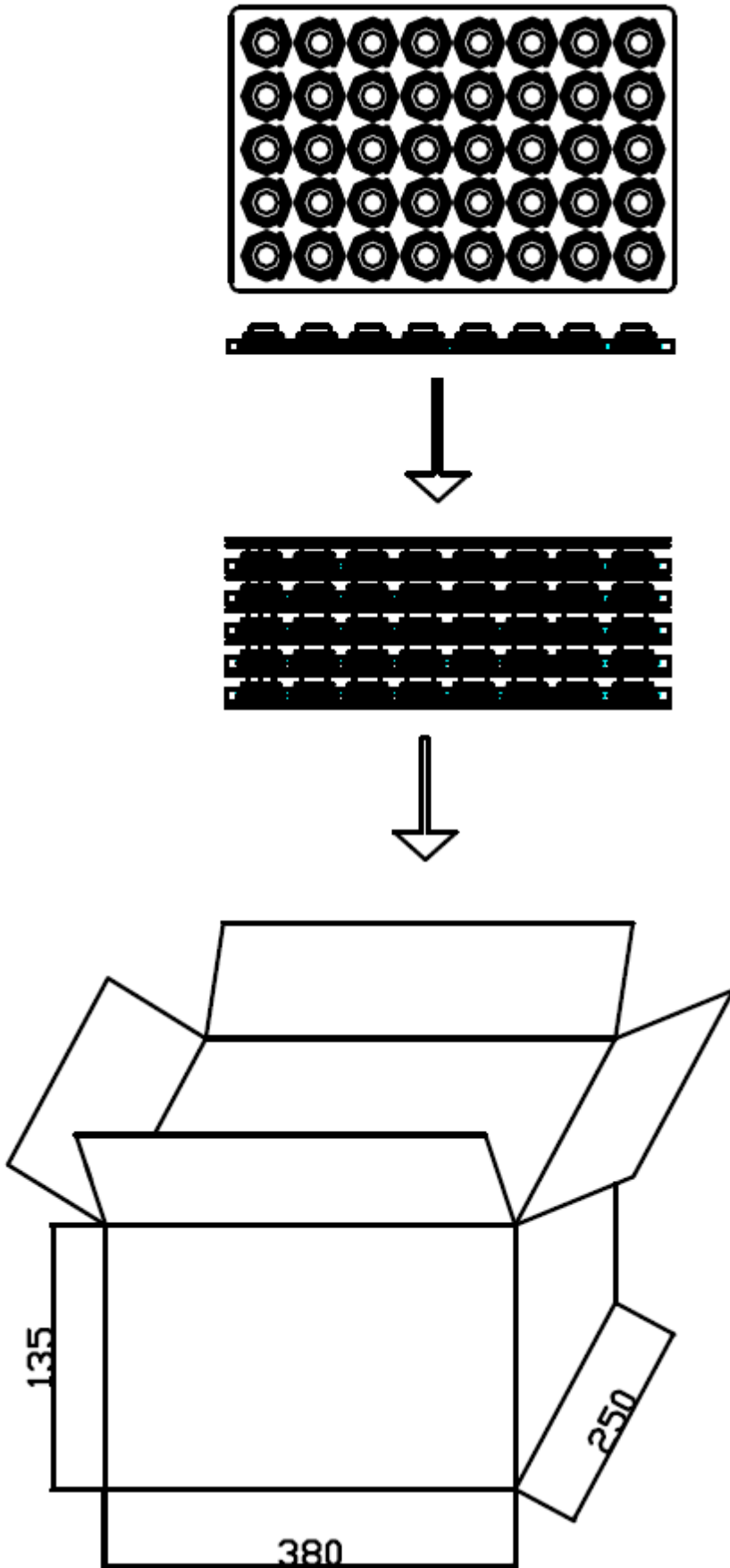
| Type of Test          | Test Specifications   |
|-----------------------|---|
| High Temperature Test | 24 hours at 60±3°C  |
| Low Temperature Test  | 24 hours at -20±3°C   |
| Humidity Test         | 48 hours at 40±3°C with relative humidity at 90-95%   |
| Vibration Test        | Frequency: 10~55~10Hz Oct/min Amplitude: 1.5mm<br>Duration: 2 hours each of 3 perpendicular directions                          |
| Drop Test             | Drop the speaker 100cm onto wooden board.<br> |
| Load Test             | Must perform normal with program White-Noise source at 3.46Vrms Power for 48 Hours.   |

## Dimensions (Tolerance: ±0.5mm, unless otherwise specified.)



**\*Includes 3M VHB 2-sided tape on the mounting ring**

## Packaging



**PART NO:** ASX04004-R  
**Q' TY:** 200PCS  
**N. W. :** KGS  
**G. W. :** KGS  
**MEASURE:** 39\*26\*15CM  
**COUNTRY OF ORIGIN:** CHINA



**Specifications Revisions**

| <b>Revision</b> | <b>Description</b>                             | <b>Date</b> |
|-----------------|--|-------------|
| -               | Released from Engineering                      | 05/18/2016  |
| A               | Added Note 4                                   | 06/27/2016  |
| B               | Revised Specification Data and added to Note 4 | 07/28/2023  |

Note:

1. Unless otherwise specified:
  - A. All dimensions are in millimeters.
  - B. Default tolerances are  $\pm 0.5\text{mm}$  and angles are  $\pm 3^\circ$ .
2. Specifications subject to change or withdrawal without notice.
3. This part is ROHS compliant.
4. For applications that are to be subjected to external force, shock, or vibration, PUI recommends mechanical reinforcement to ensure rigid coupling beyond that provided by the 3M VHB F-9473PC 2-sided tape. Rear Magnet contains threads for installing a screw mount bracket.