



PUIaudio



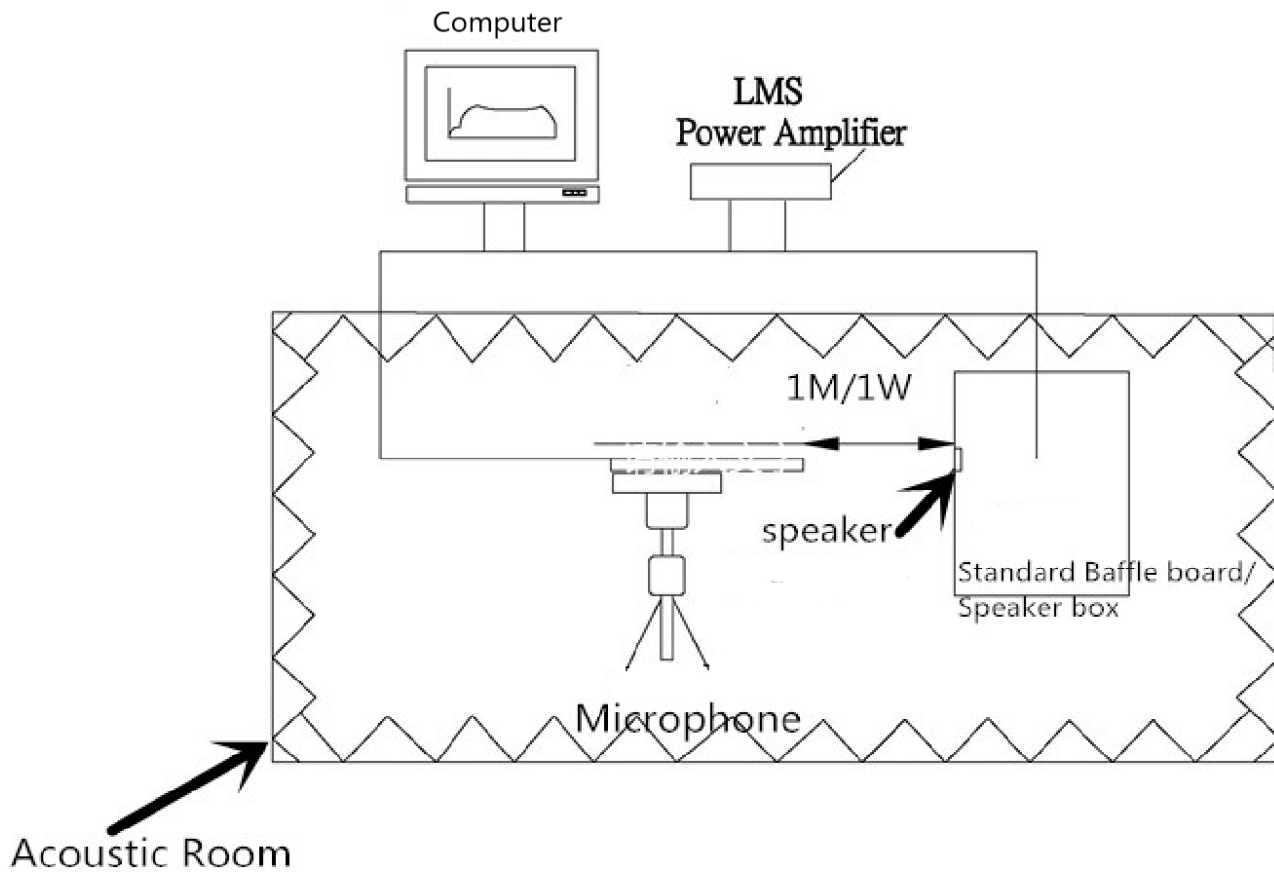
Data Sheet

ASX04008-R

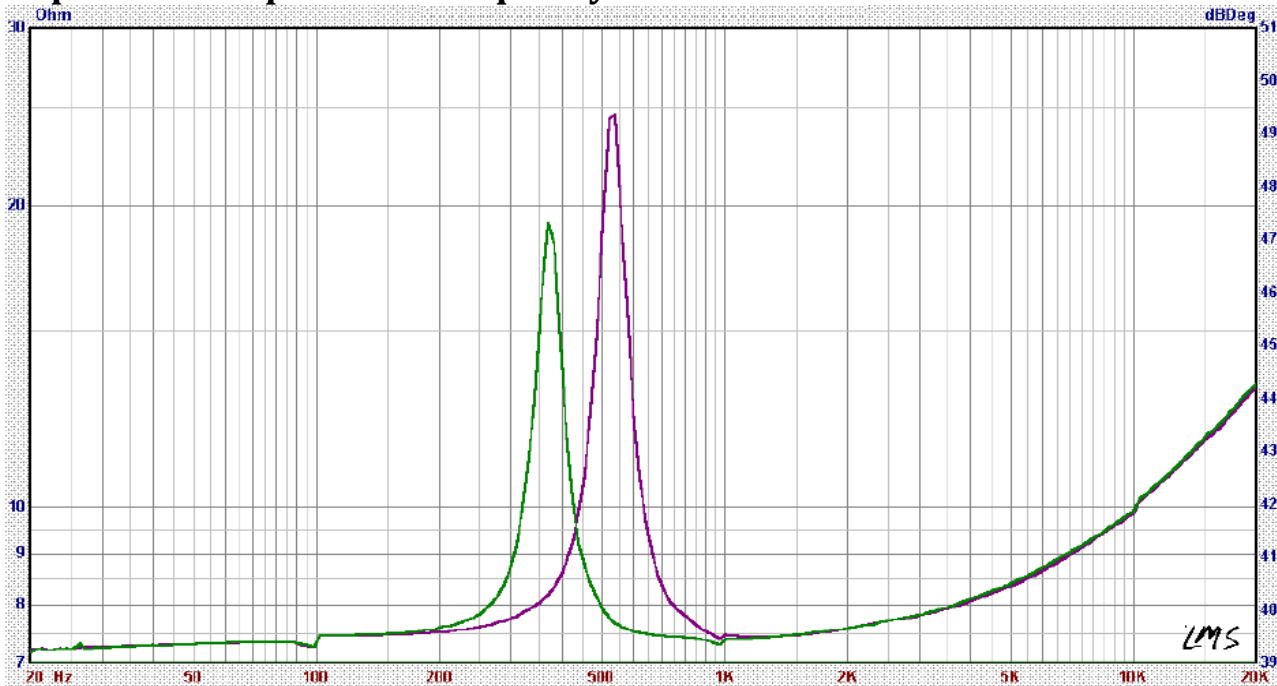
Specifications

Parameters	Values	Units
Rated Input Power	3.0	Watts
Max Input Power	5.0	Watts
Impedance	$8 \pm 15\%$	Ohms
Resonant Frequency (f_0)	$450 \pm 20\%$	Hz
Frame Material	Metal	-
Magnet Material	NdFeB	-
Weight	28	Grams
Buzz, Rattle, etc.	Must not be audible with 200Hz-20kHz, 2.44Vrms sine wave	-
Environmental Compliances	RoHS/REACH	-
Polarity	Cone moves forward with positive dc current applied to "+" terminal	-
Storage Temperature	-20 ~ +60	°C
Operating Temperature	-10 ~ +60	°C

Measurement Method (Measured with 1.0W, L = 1m, Temperature: 23 ~ 25°C, Relative Humidity: 55% (max))




Impedance Response vs. Frequency

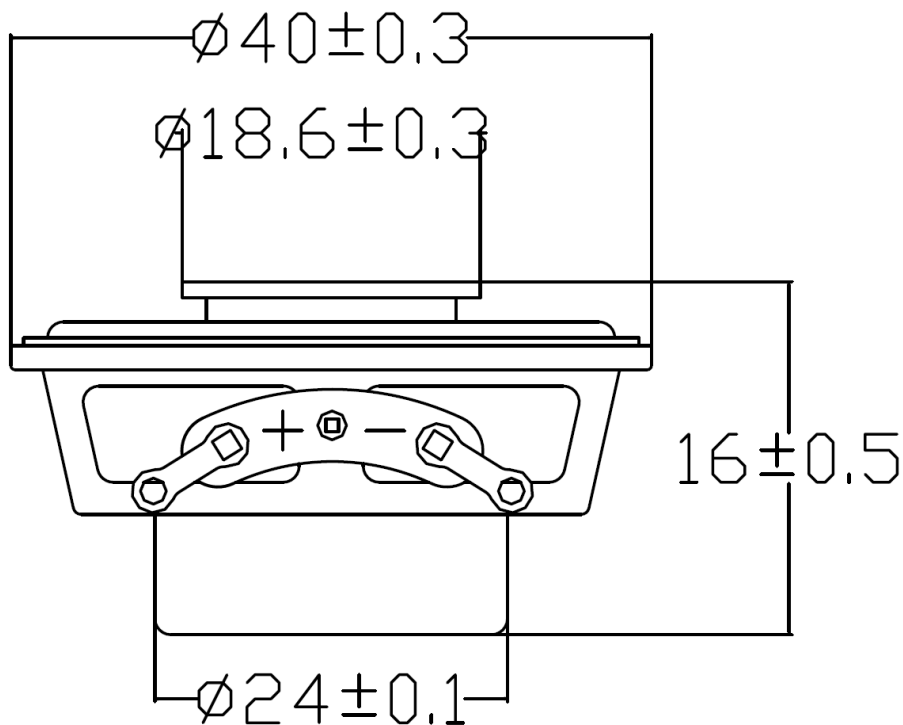


From left to right at 100hm:
0.0007+0.5gm
z-7.20hm

Reliability Testing

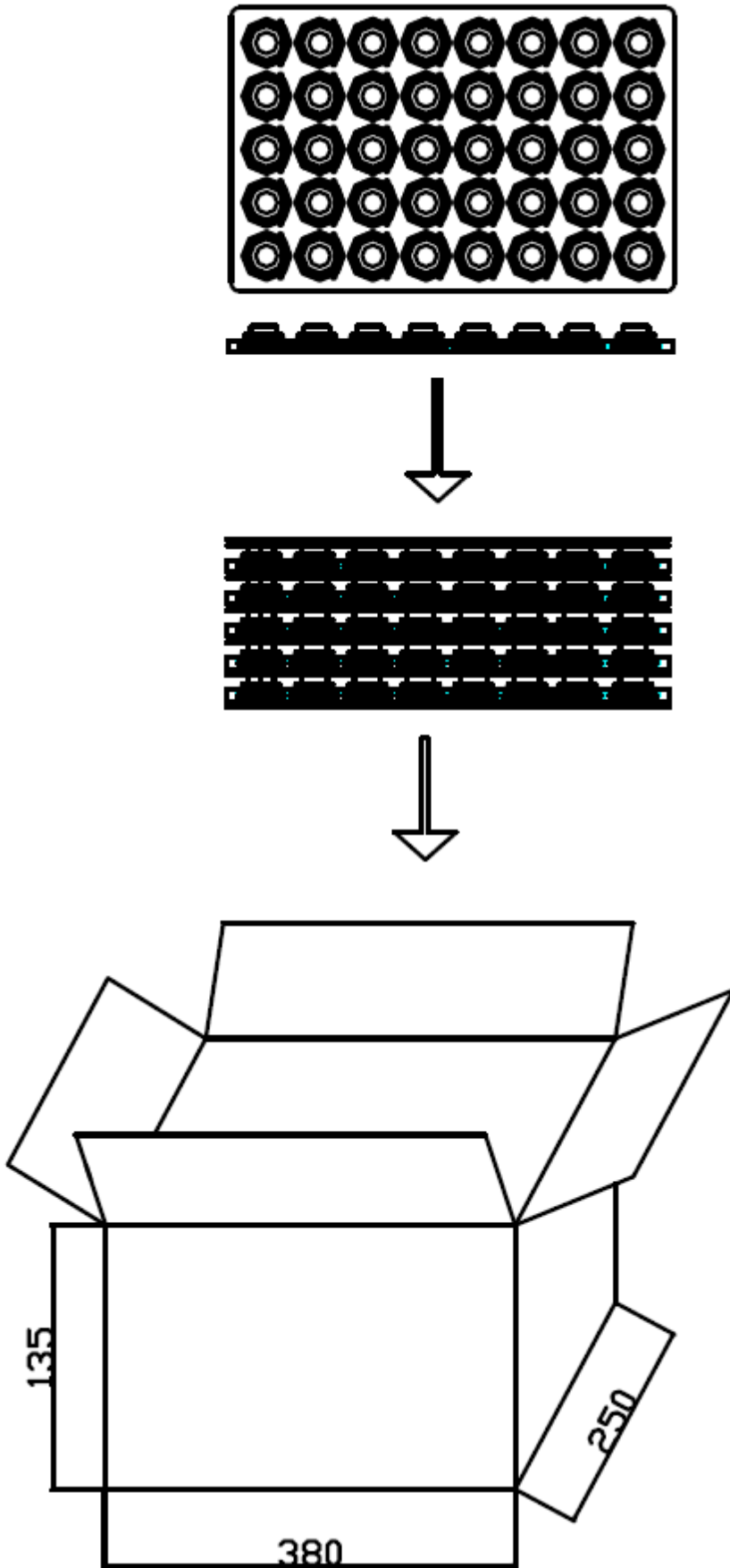
Type of Test	Test Specifications
High Temperature Test	24 hours at 60±3°C
Low Temperature Test	24 hours at -20±3°C
Humidity Test	48 hours at 40±3°C with relative humidity at 90-95%
Vibration Test	Frequency: 10~55~10Hz Oct/min Amplitude: 1.5mm Duration: 2 hours each of 3 perpendicular directions
Drop Test	Drop the speaker 100cm onto wooden board. 
Load Test	Must perform normal with program White-Noise source at 3.46Vrms Power for 48 Hours.

Dimensions (Tolerance: ±0.5mm, unless otherwise specified.)



***Includes 3M VHB 2-sided tape on the mounting ring**

Packaging



PART NO: ASX04004-R
Q' TY: 200PCS
N. W. : KGS
G. W. : KGS
MEASURE: 39*26*15CM
COUNTRY OF ORIGIN: CHINA



Specifications Revisions

Revision	Description	Date
-	Released from Engineering	05/18/2016
A	Added Note 4	06/27/2016
B	Revised Specification Data and added to Note 4	07/28/2023

Note:

1. Unless otherwise specified:
 - A. All dimensions are in millimeters.
 - B. Default tolerances are $\pm 0.5\text{mm}$ and angles are $\pm 3^\circ$.
2. Specifications subject to change or withdrawal without notice.
3. This part is ROHS compliant.
4. For applications that are to be subjected to external force, shock, or vibration, PUI recommends mechanical reinforcement to ensure rigid coupling beyond that provided by the 3M VHB F-9473PC 2-sided tape. Rear Magnet contains threads for installing a screw mount bracket.